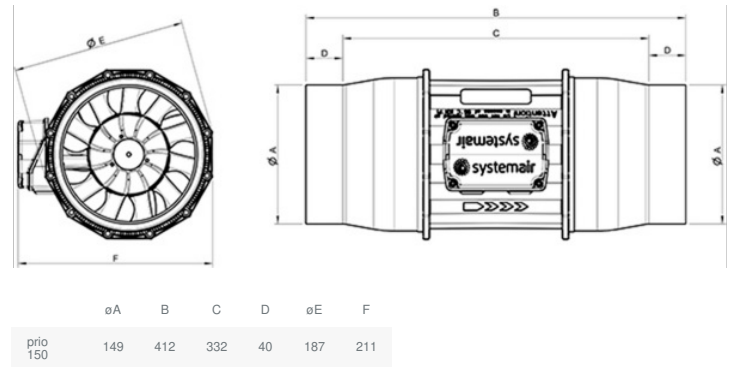




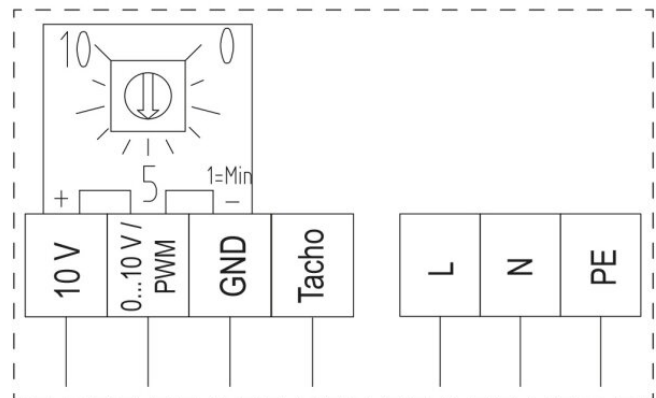
Technical parameters

Nominal data	
Voltage (nominal)	230 V
Frequency	50; 60 Hz
Phases	1~
Input power	76 W
Input current	0.642 A
Impeller speed	4.330 rpm
Air flow	max 796 m ³ /h
Temperature of transported air	max 55 °C
Max temperature of transported air, when speed controlled	55 °C
Sound data	
Sound pressure level at 3m (20m ² Sabin)	48 dB(A)
Protection/Classification	
Enclosure class, motor	IP44
Insulation class	B
Data according to ErP	
ErP ready	Not ErP relevant
Dimensions and weights	
Duct dimension; Circular, inlet	150 mm
Duct dimension; Circular, outlet	150 mm
Weight	1.9 kg
Others	
Duct connection type	Circular
Motor type	EC

Dimension

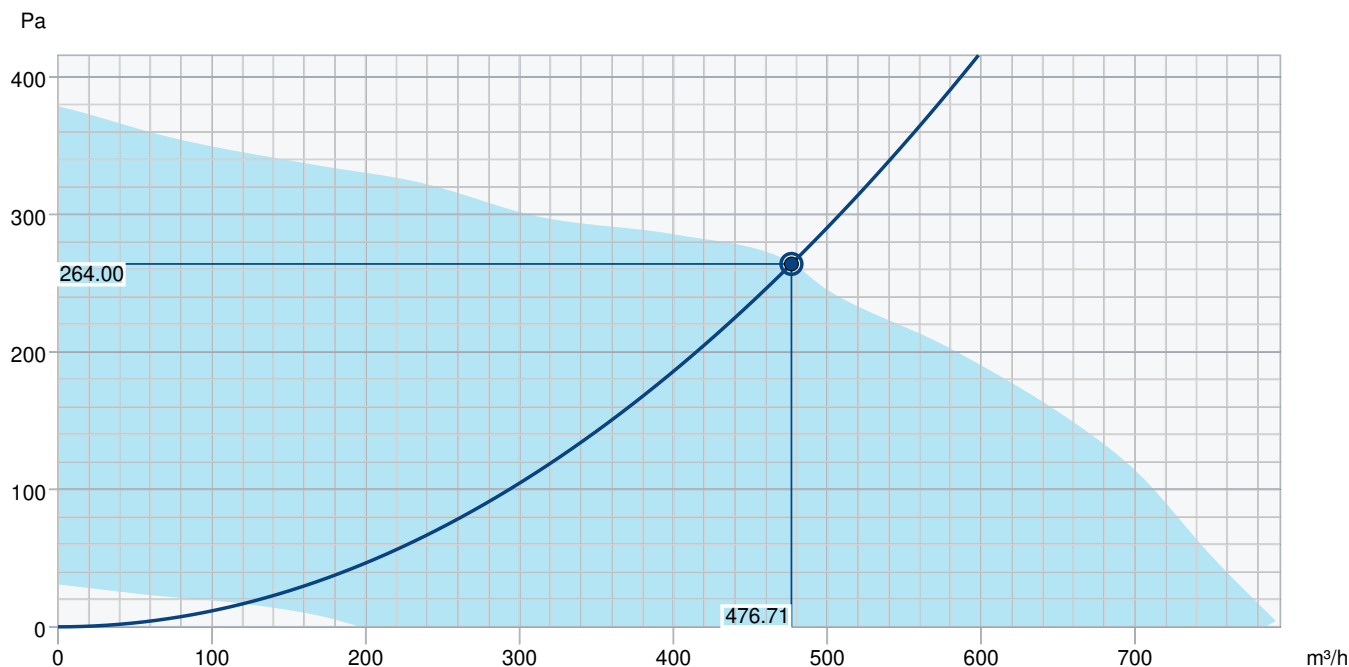


Wiring



Function / assignment	
L	Power supply 230V AC, 50...60 Hz, see name plate for voltage range
N	Neutral conductor
PE	Protective conductor
0...10V / PWM	Controller input 0...10V or PWM
10V	Voltage output 10V / Short-circuit-proof power supply for external devices (e.g. poti) prio 150EC, prio 160EC → I _{max} =1.1mA prio 200EC, prio 250EC → I _{max} =10mA
GND	GND-connection of the controller interface
Tacho	Speed output: Open Collector, 1 impulse per revolution, electrically isolated, I _{sink_max} =10mA

Performance curve



Hydraulic data										
Required air flow	477 m³/h									
Required static pressure	264 Pa									
Working air flow	477 m³/h									
Working static pressure	264 Pa									
Air density	1.204 kg/m³									
Power	75.6 W									
Fan control - RPM	4,374 rpm									
Current	0.60 A									
SFP	0.571 kW/m³/s									
Control voltage	10.0 V									
Supply voltage	230 V									
Sound power level		63	125	250	500	1k	2k	4k	8k	Total
Inlet	dB(A)	44	59	76	69	68	68	63	54	78
Outlet	dB(A)	51	62	75	73	69	69	65	55	79
Surrounding	dB(A)	20	10	54	39	50	51	42	27	57
Sound pressure level at 3m (20m² Sabine)	dB(A)	-	-	-	-	-	-	-	-	50
Sound pressure level at 3m free field	dB(A)	-	-	-	-	-	-	-	-	36
Accessories										

Accessories

CXE/AVC Modbus (37256)

EC-Basic-H humidity (24807)

EC-Basic-U universal 0-10V (24806)

EC-Vent Room Unit (3018)

MTV-1/010 Controller 0..10V+ (30650)

REV-3POL/03-7.5kW R/Y (33978)

Step switch S-5EC-2, 0-10V (449084)

HR1 Room Humidistat (215150)

prio 150/160 mount. br. compl. (79314)

FFR 150 Filter cassette (1769)

FK 150 Fast clamp (1609)

VK-15 Louvre shutter (87679)

EC-Basic-CO2 and temperature (24808)

EC-Basic-T temperature (24805)

EC-Vent control board (3115)

MTP 10, 10K, Speed control (32731)

Potentiometer MTP 20, 0-10V (310220)

SG 150 Protection guard (5555)

CO2RT-R-D Transmitter (6993)

Presence detector/IR24-P (6995)

RT 0-30 Room Thermostat (5151)

FGR 150 Filter cassette (1807)

RSK-150 Back draft damper (5599)

Room hygrostat HR-S (286251)

Documents

imo_prioair_en_003

prio160_150_dxf_o_rahmen.dxf

EU DECLARATION OF CONFORMITY_PRIO_PRIO-XP_EN_007.PDF