

## PRF-EX Centrifugal Fans

### Speed controllable, explosion-proof efficiency

- Certified according to ATEX 2014/34/EU
- Handles Aggressive Media
- Flexible Use

[Find more details in our online catalogue](#)



### Safety first

PRF-EX fans are designed for challenging environments where explosive atmospheres can occur. Which is why they are tested according to ATEX directive 2014/34/EU – to ensure they'll perform as intended after installation.

### Flexibility

Where dirt, corrosive gases or other problematic elements occur, fans are exposed to particular challenges. Our **PRF-EX range** were specially developed for such applications in the food, electronics, medical facilities and chemical industries. With the help of robust and carefully selected components, there function reliably in unfavourably conditions.

### Modularity

The position of the unit's antistatic casing, which is made from UV-resistant and waterproof PP or PE, can be easily adapted. This making the PRF suitable for various configurations.

### Performance

**PRF-EX** could be used for temperature classes T1 to T4. Exhaust of potentially explosive gases in Zone 1 and Zone 2, as well as Groups IIA, IIB and hydrogen is also possible.

## Features

### Construction

Sintered casing made of UV-resistant PP or PE, waterproof. The casing can be easily adjusted through turning it (Standard position is LG270). The pedestal is manufactured of stainless steel, abrasion-resistant lacquered.

### Impeller

The PRF-EX fans use single-flow impellers made out of PP or GFK (PRF-EX 500D4 Ex d) with effective blade geometry, dynamically **balanced** and paired with corresponding **IEC Ex db motor**.

### Motor

Explosion proof motor Ex db with terminal box Ex eb on the motor.

### Motor protection

Integrated **PTC thermistors**, to be connected to a motor protection device.

### Control

Speed controllable by **frequency converter**.

### Installation

PRF-EX fans can be stand **on floor** with mounted **pedestal**. For **preventing vibration** to the duct is recommended to use **flexible connection**.

## Technical parameters

### Nominal data

Voltage (nominal)	400	V
Frequency	50	Hz
Phases	3~	
Motor circuit connection	Y	
Input power	981	W
Input power kW	0.981	kW
Starting current	8.5	A
Input current	1.71	A
Impeller speed	1,381	rpm
Air flow	max 3,154	m³/h
Minimum static back pressure	100	Pa
Temperature of transported air	max 60	°C
Max temperature of transported air, when speed controlled	60	°C

### Sound data

Sound pressure level at 3m (20m² Sabin)	65	dB(A)
---	----	-------

### Protection/Classification

Enclosure class, motor	IP55
Insulation class	F
Explosion proof marking	II 2G Ex h IIB+H2 T4 Gb
Certificate	TPS 19 ATEX 085751 0005 X

### Ambient and duct temperature

Ambient and duct temperature	-20 to 60	°C
------------------------------	-----------	----

### Dimensions and weights

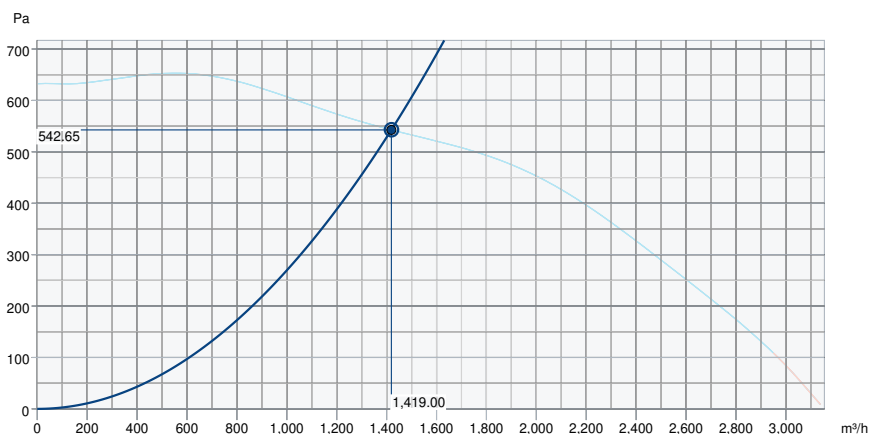
Duct dimension; Circular, inlet	250	mm
Duct dimension; Circular, outlet	250	mm
Weight	50	kg

### Others

Duct connection type	Circular
Motor type	AC

Performance

Performance curve

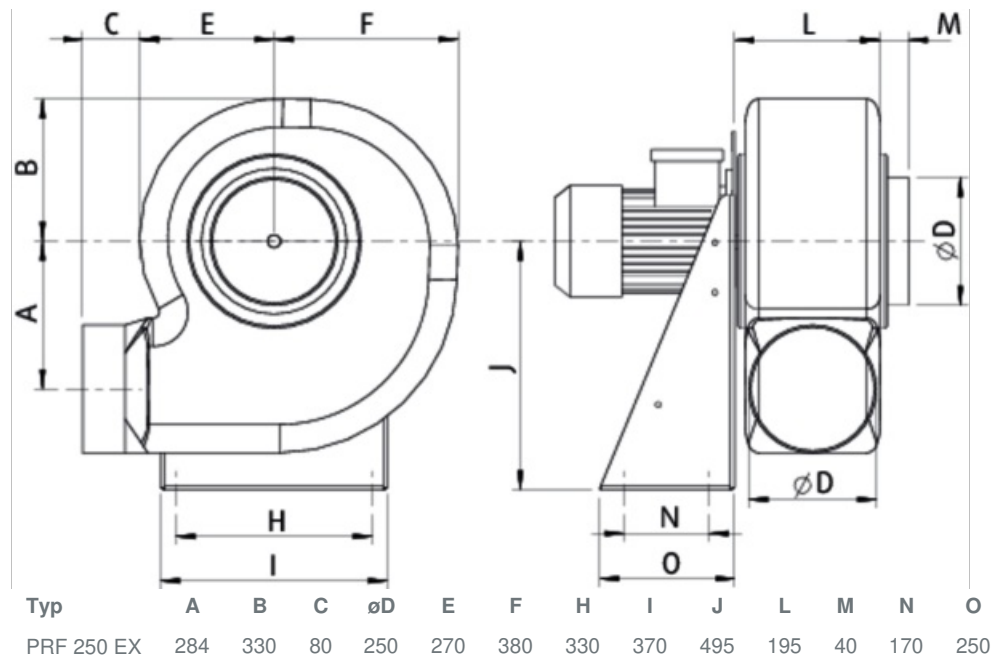


Hydraulic data

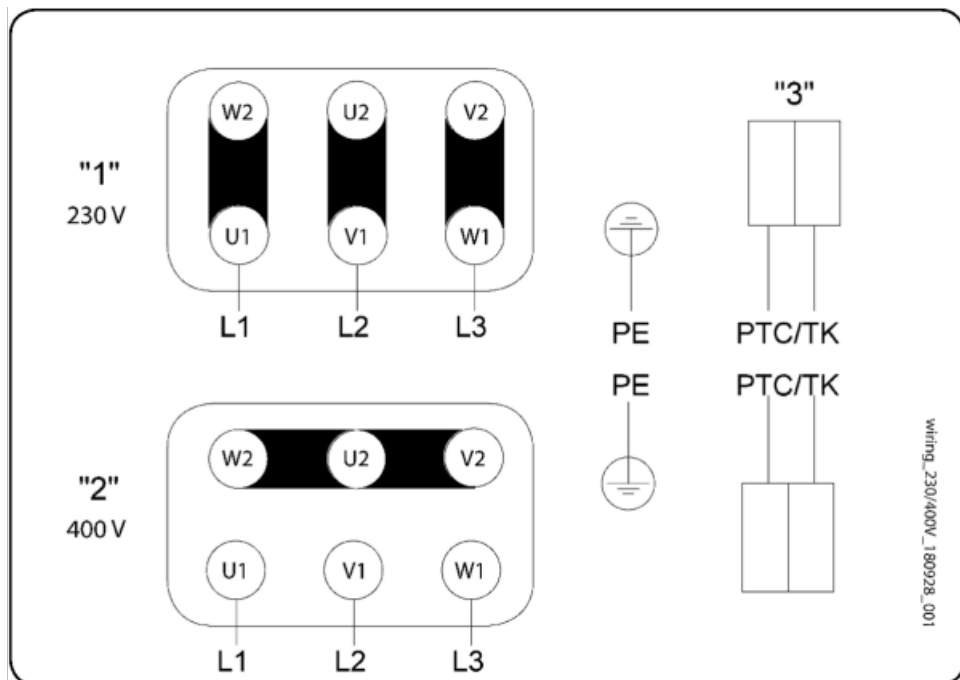
Required air flow	1,419 m³/h
Required static pressure	543 Pa
Working air flow	1,419 m³/h
Working static pressure	543 Pa
Air density	1.204 kg/m³
Power	532.4 W
Fan control - RPM	1,440 rpm
Current	1.19 A
SFP	1.351 kW/m³/s
Control voltage	400.0 V
Supply voltage	400 V

Sound power level		63	125	250	500	1k	2k	4k	8k	Total
Inlet	dB(A)	92	75	78	78	74	70	63	54	93
Outlet	dB(A)	82	77	79	77	73	70	60	50	86
Surrounding	dB(A)	59	49	67	68	65	59	47	37	72
Sound pressure level at 3m (20m² Sabine)	dB(A)	-	-	-	-	-	-	-	-	65
Sound pressure level at 3m free field	dB(A)	-	-	-	-	-	-	-	-	51

Dimension



## Wiring



230/400V motor

"1" 3 x 230V Delta connection

"2" 3 x 400V Star connection

"3" Thermal motor protection optional

See motor name plate!

## Accessories

- ASS-P 250 flex. con. PRF (32368)
- Frequency converter FRQ5-4A (36229)
- Frequency converter FRQS-4A (36231)
- SD rubber mou. 4Pcs PRF160-250 (32568)
- VKA-P 250 adjust. damper PRF (32373)
- VP-Splinter protection PRF 250 (305465)
- REV-3POL/ATEX-11kW R/Y (36414)
- Frequency converter FRQ-4A (36227)
- Frequency converter FRQ5S-4A (36233)
- Frequency converter FXDM5AM (31387)
- U-EK230E Motor protection (30199)
- VKS-P 250 gravity shutter PRF (32378)
- FC102-1,1kW/3A-IP55, 150/50m (36158)

## Documents

- Installation and Operating Instructions\_012.pdf
- TPS 19 ATEX 085751 0005 X 01 EN.PDF
- TUV\_IT\_13\_ATEX\_039\_X\_REV\_2.PDF
- compatibility with chemical agents\_en\_003
- EU\_DECLARATION\_OF\_CONFORMITY\_ALL\_009\_314830.PDF
- CASING POSITION PRF.PDF