

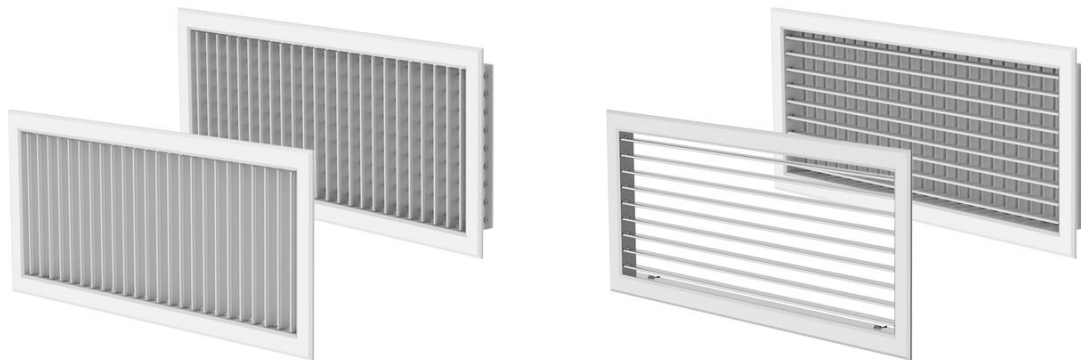
NOVA-A

Aluminium Adjustable Grille
Handbook



Table of Contents

Description3
Dimensions & Weights5
Ordering Codes8
Accessories9
Quick Selection19
Technical Parameters25
Installation26
Transport, Storage and Operation33
Supplement34



Description

NOVA-A is a diffusion grille. The product is intended for air supply and air extract. The product is installed into rectangular ducts or into walls. The grille directs the air using its adjustable blades in a horizontal, as well as vertical orientation. For a balanced distribution of air through the entire grille it is recommended to use the R1-NOVA damper or a plenum box. The field of application is industrial and commercial premises with higher emphasis on appearance.

Highlights

- Individually adjustable blades, single or double layer for well-adjusted air discharge pattern
- Design with emphasized aesthetics
- Lightweight construction
- Air volume adjustment damper with large authority range available

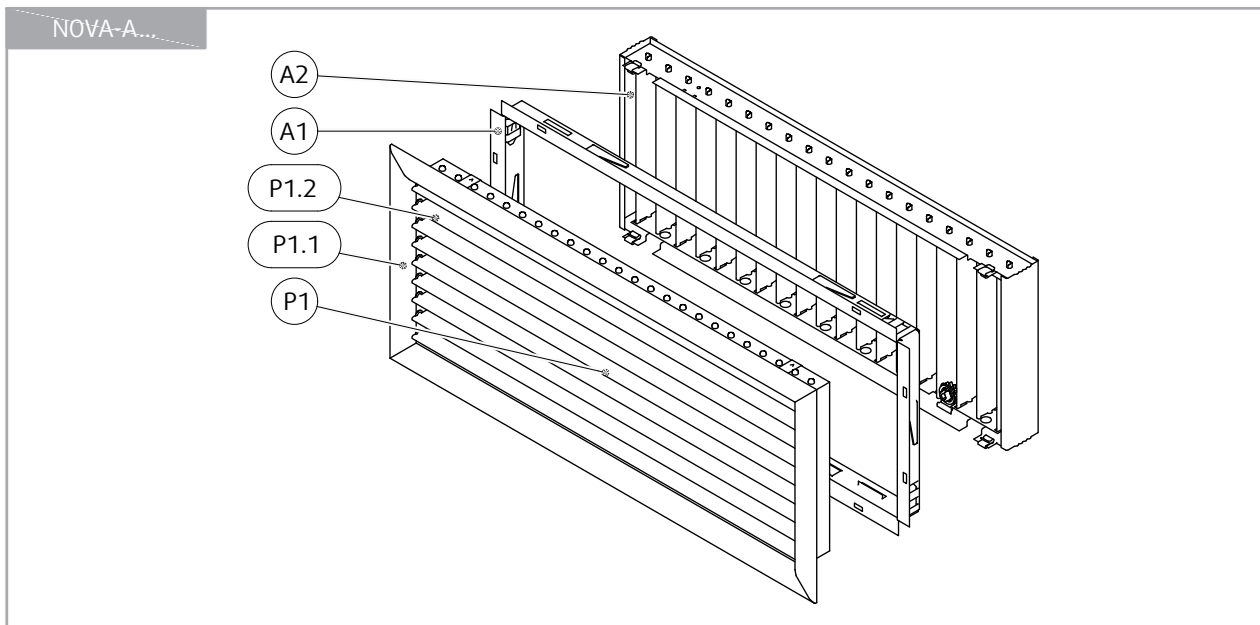
List of Accessories

- ODN: Plenum Box with Basic Air Adjustment for NOVA
- R1-NOVA: Damper for NOVA
- UR-NOVA: Mounting Frame for NOVA

Design

NOVA-A is manufactured from anodized aluminium profiles. The product consists of a frame and 1 or 2 layers of blades. The blades are oriented horizontally or vertically. The blades of the second layer are always perpendicularly oriented to the blades of the first layer. Axial pitch of the blades is 20 mm. The blades inclination determines the air flow discharge pattern. The product is provided in anodized surface finish or powder painted to RAL9003 (signal white) as standard. Other RAL colours are available upon request.

Product Parts



Legend

P1 NOVA-A

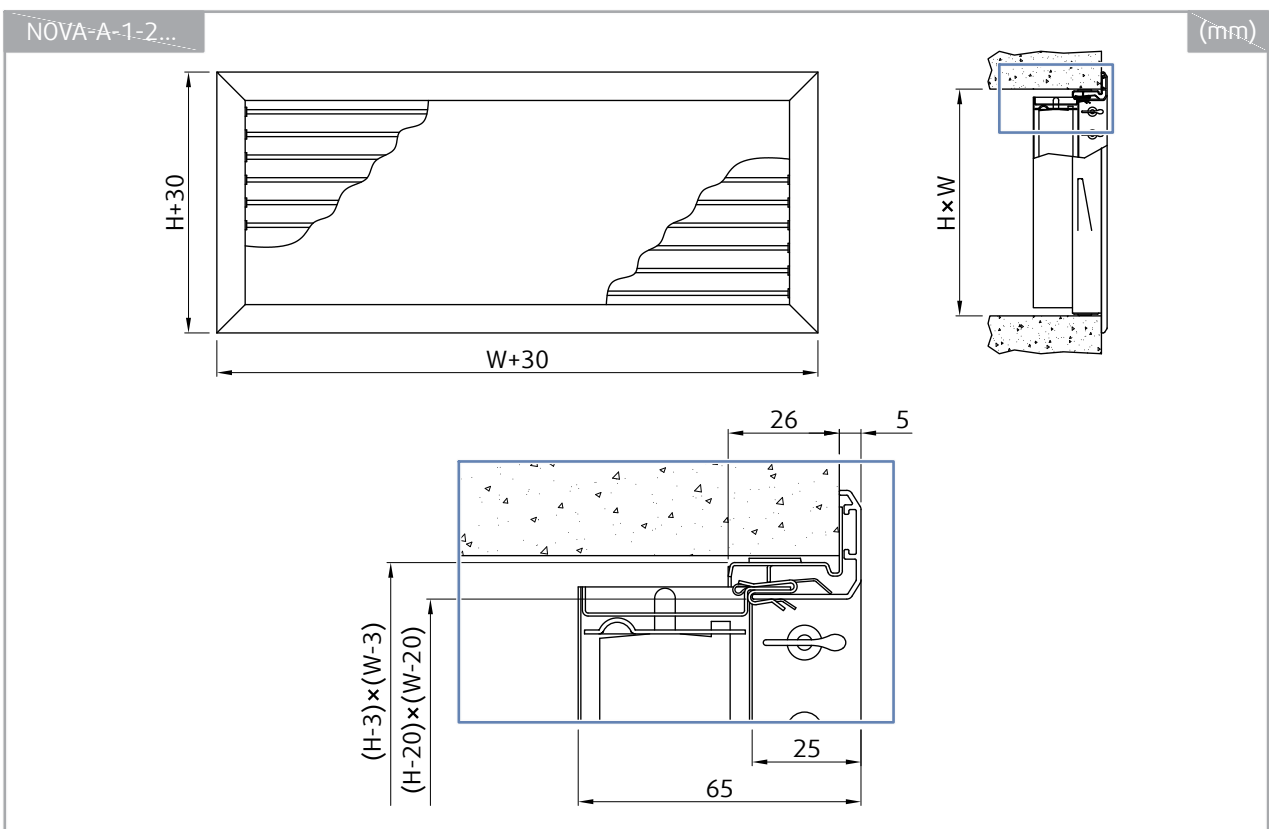
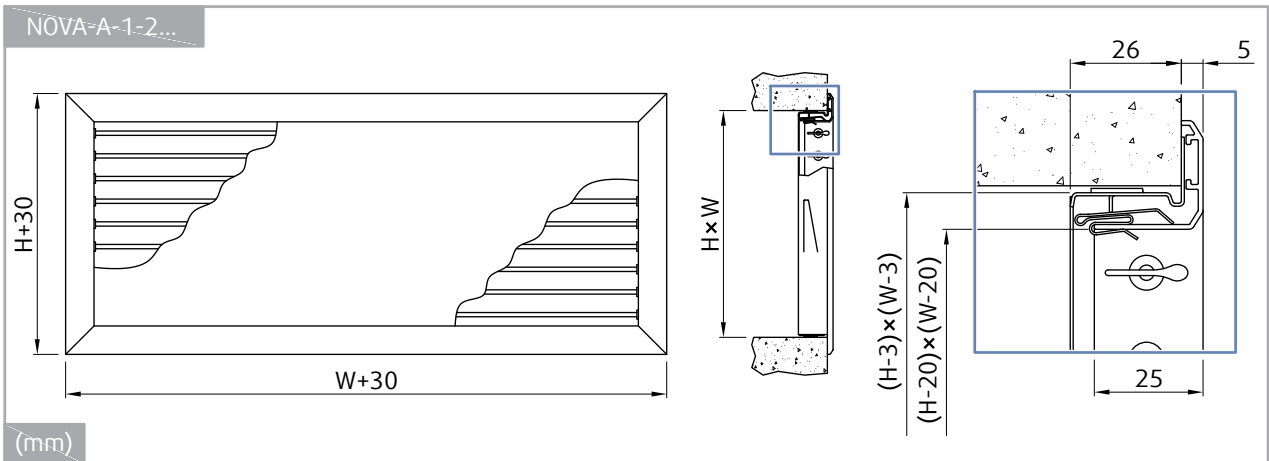
P1.1 Grille frame

P1.2 Blades

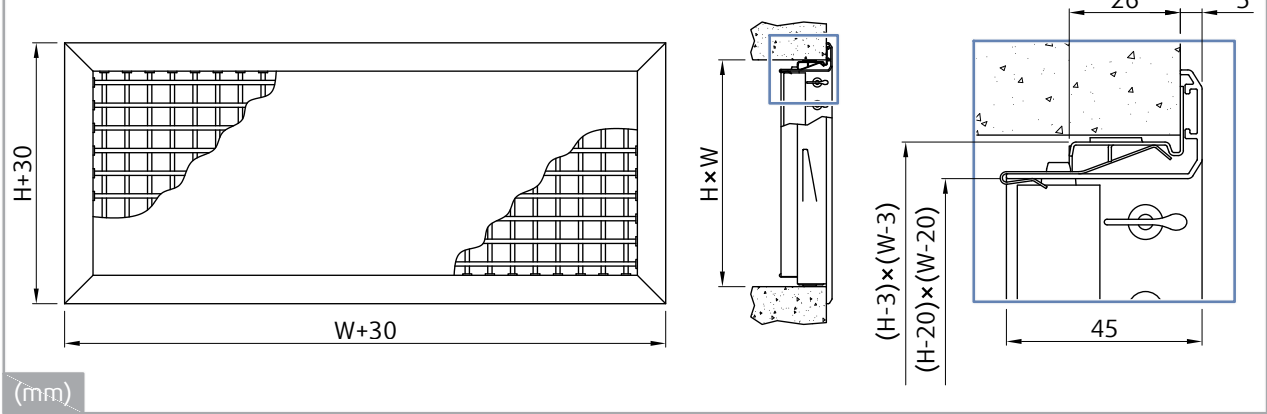
A1 UR-NOVA (mounting frame for NOVA)

A2 R1-NOVA (damper for NOVA)

Dimensions & Weights

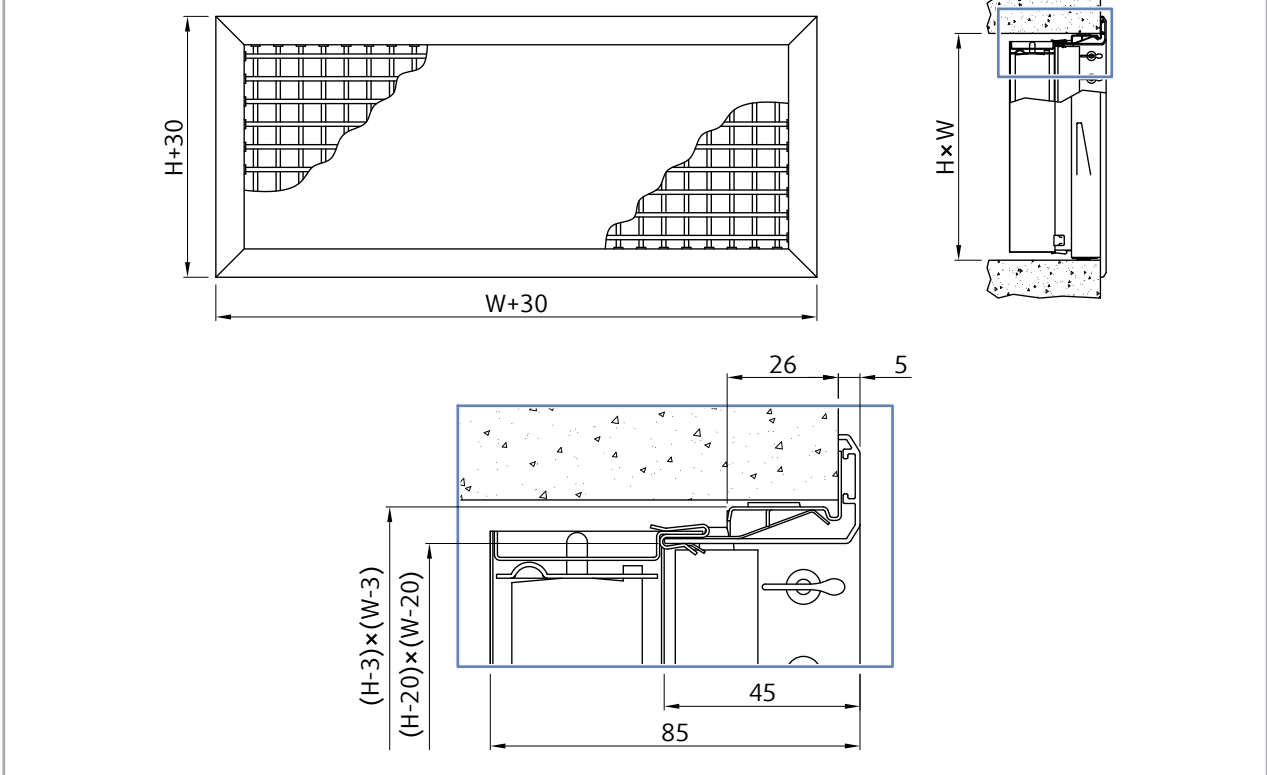


NOVA-A-2-2...



(mm)

NOVA-A-2-2...



(mm)

W	H	A _{v1}	A _{v2}	m ₁	m ₂
mm		m ²		kg	
200	100	0,012	0,009	0,20	0,30
	150	0,019	0,016	0,25	0,40
	200	0,026	0,021	0,32	0,52
300	100	0,018	0,015	0,27	0,42
	150	0,030	0,024	0,34	0,57
	200	0,041	0,033	0,44	0,73
	300	0,064	0,051	0,60	1,04
400	100	0,025	0,020	0,34	0,54
	150	0,041	0,033	0,43	0,73
	200	0,055	0,045	0,55	0,95
	300	0,086	0,070	0,77	1,35
	400	0,117	0,095	0,98	1,75
500	100	0,031	0,025	0,41	0,67
	150	0,051	0,042	0,52	0,89
	200	0,070	0,057	0,67	1,16
	300	0,109	0,088	0,93	1,66
	400	0,148	0,120	1,19	2,16
	500	0,187	0,151	1,45	2,65
600	100	0,038	0,030	0,48	0,79
	150	0,062	0,050	0,61	1,05
	200	0,085	0,068	0,79	1,38
	300	0,132	0,107	1,10	1,97
	400	0,179	0,145	1,40	2,56
	500	0,226	0,183	1,71	3,15
800	100	0,051	0,041	0,63	1,03
	150	0,084	0,068	0,79	1,38
	200	0,114	0,092	1,03	1,81
	300	0,177	0,143	1,43	2,58
	400	0,240	0,194	1,83	3,36
	500	0,303	0,246	2,23	4,14
1000	100	0,064	0,051	0,77	1,27
	150	0,105	0,085	0,97	1,71
	200	0,143	0,116	1,26	2,23
	300	0,222	0,180	1,76	3,20
	400	0,302	0,244	2,25	4,17
	500	0,381	0,309	2,74	5,13
1200	100	0,076	0,062	0,91	1,51
	150	0,126	0,102	1,15	2,03
	200	0,172	0,139	1,50	2,66
	300	0,268	0,217	2,09	3,82
	400	0,363	0,294	2,67	4,97
	500	0,459	0,372	3,26	6,13

W	H	A _{v1}	A _{v2}	m ₁	m ₂
mm		m ²		kg	
225	75	0,010	0,008	0,17	0,26
	125	0,018	0,014	0,25	0,39
	225	0,034	0,028	0,38	0,62
325	75	0,014	0,012	0,22	0,35
	125	0,026	0,021	0,33	0,53
	225	0,051	0,041	0,50	0,86
	325	0,076	0,062	0,68	1,19
425	75	0,019	0,016	0,28	0,44
	125	0,035	0,028	0,41	0,67
	225	0,068	0,055	0,63	1,09
	325	0,100	0,082	0,85	1,52
	425	0,133	0,108	1,08	1,94
525	75	0,024	0,019	0,33	0,53
	125	0,043	0,035	0,49	0,81
	225	0,084	0,068	0,76	1,33
	325	0,125	0,102	1,03	1,85
	425	0,166	0,135	1,30	2,36
	525	0,207	0,168	1,57	2,88
625	75	0,029	0,023	0,38	0,62
	125	0,052	0,042	0,57	0,95
	225	0,101	0,082	0,88	1,56
	325	0,150	0,122	1,20	2,18
	425	0,199	0,162	1,52	2,79
	525	0,248	0,201	1,84	3,40
825	75	0,038	0,031	0,48	0,80
	125	0,069	0,056	0,73	1,24
	225	0,134	0,109	1,14	2,04
	325	0,200	0,162	1,55	2,84
	425	0,265	0,215	1,96	3,64
	525	0,330	0,268	2,37	4,44
1025	75	0,048	0,039	0,59	0,98
	125	0,086	0,070	0,89	1,52
	225	0,168	0,136	1,39	2,51
	325	0,249	0,202	1,90	3,50
	425	0,331	0,268	2,41	4,48
	525	0,412	0,334	2,91	5,47
1225	75	0,057	0,046	0,69	1,16
	125	0,104	0,084	1,05	1,80
	225	0,201	0,163	1,65	2,98
	325	0,299	0,242	2,25	4,15
	425	0,396	0,321	2,85	5,33
	525	0,494	0,401	3,45	6,51

Ordering Codes

NOVA-A

Layers of blades

- 1 Single layer
- 2 Double layer

Mounting ¹

- 1 Screws
- 2 Spring clips

Dimensions ²

W × H

Damper

R1

Mounting frame

UR

Blades orientation ³

- H** Horizontal
- V** Vertical

Surface finish ⁴

- AN** Anodized
- SW** Signal white (RAL9003, gloss 30%)
- RALXXXX** Other RAL colour

NOTES:

1. Non-standard mounting type 3 (Safety mounting mechanism) is available upon request. Special safety measures must be obeyed for this mounting type.

The mounting types 1 and 3 can be used for installation in the wall as well as in the ceiling. The mounting type 2 can be used only in the wall, it is not applicable for ceiling installation.

2. Available dimension combinations are in the dimension table.
3. In the case of double layer grille is not specified orientation of blades in the ordering code, the product will be delivered with first layer horizontally and second layer vertically orientated.
4. In case the surface finish is not specified in the ordering code, the product will be delivered anodized surface finish.

Example of the Ordering Code

NOVA-A-2-2-400x200-R1-UR-H-AN

An aluminium grille for rectangular ducts with double layers of blades and spring clips mounting, intended for a structural opening with dimensions 400 mm × 200 mm, R1-NOVA damper, mounting frame included, with the first row of blades horizontally oriented and anodized surface finish.

Accessories

ODEN

Plenum Box with Basic Air Adjustment for NOVA



Description

ODEN is a plenum box for NOVA grilles. The product is intended to balance distribution of air through the entire grille. The product is intended for air supply as well as for air extract. The product is installed at the end of circular ducts. No need for UR-NOVA if ODEN is used.

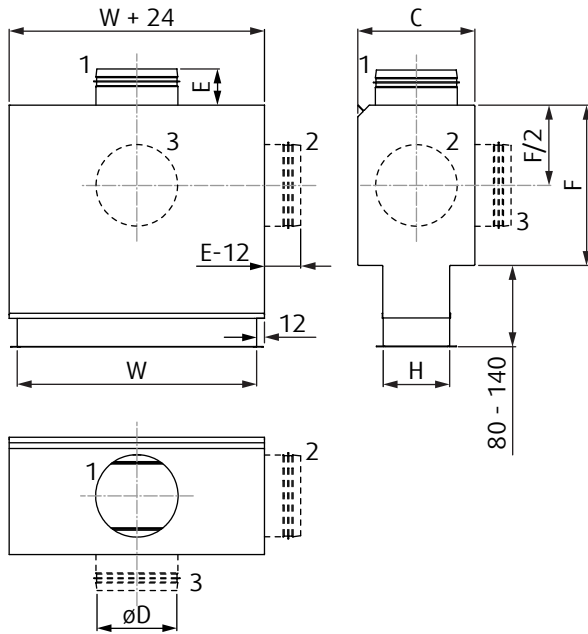
Design

ODEN is manufactured from galvanized steel sheet. The product consists of a box casing, internal insulation, a grille connection, a duct connection, and a ZEUS damper. The grille connection has a sleeve with adjustable length. The duct connection is on rear, long or short side and has a rubber sealing. The ZEUS damper contains plastic tubes for pressure loss measuring.



ZEUS damper

Dimension



ODEN	W	H	C	øD	E	F	m
	mm						kg
200 × 100	200	100	175	123	60	250	2,2
300 × 100	300	100	210	158	60	290	3,2
400 × 100	400	100	210	158	60	290	3,8
500 × 100	500	100	250	198	70	320	5,0
300 × 150	300	150	250	198	70	320	3,6
400 × 150	400	150	300	248	60	370	5,0
500 × 150	500	150	300	248	60	370	5,8
500 × 200	500	200	370	313	60	430	6,9
600 × 200	600	200	370	313	60	430	7,8

Ordering Codes

ODEN

Duct connection

- 1** on the rear side
- 2** on the short side
- 3** on the top side

Dimensions

W x H

Example of the Ordering Code

ODEN-1-400x100

Plenum box with basic air adjustment for NOVA, with rear duct connection, dimensions 400 mm × 100 mm.

R1-NOVA

Damper for NOVA



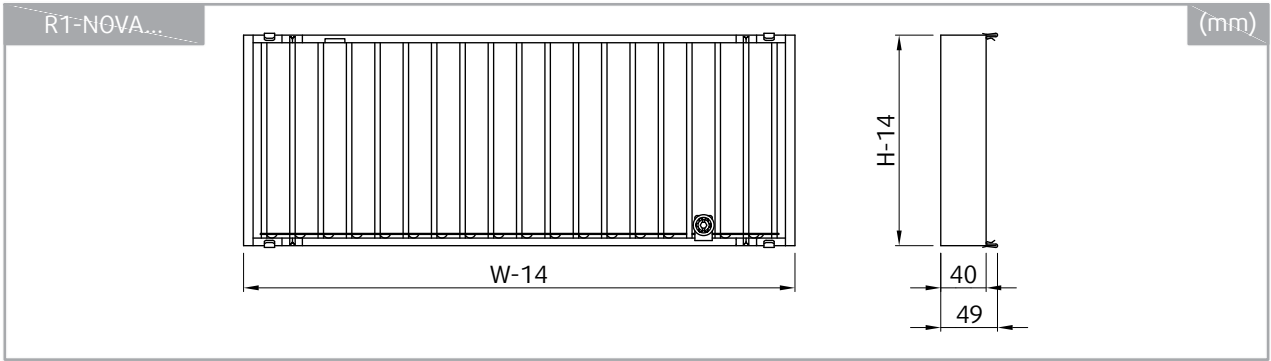
Description

R1-NOVA is a damper for NOVA grilles. The product is intended to balance distribution of air through the entire grille. The product is intended for air supply as well as for air extract. The damper changes the air flow using its regulating wheel.

Design

R1-NOVA is manufactured from galvanized steel sheet. The product consists of a frame, adjustable blades and a regulating wheel. The regulating wheel is operated by a flap tip screwdriver. The blades are opposed and interconnected. The blades angle controls the air flow. The product is provided without any additional surface finish.

Dimension



W	H	m
mm		kg
200	100	0,36
	150	0,48
	200	0,61
300	100	0,53
	150	0,71
	200	0,90
	300	1,27
400	100	0,69
	150	0,93
	200	1,18
	300	1,67
	400	2,15
500	100	0,86
	150	1,15
	200	1,47
	300	2,07
	400	2,67
	500	3,29
600	100	1,03
	150	1,38
	200	1,75
	300	2,47
	400	3,19
	500	3,93
800	100	1,40
	150	1,86
	200	2,35
	300	3,30
	400	4,25
	500	5,23
1000	100	1,73
	150	2,30
	200	2,92
	300	4,10
	400	5,28
	500	6,50
1200	100	2,08
	150	2,76
	200	3,49
	300	4,91
	400	6,32
	500	7,78

W	H	m
mm		kg
225	75	0,32
	125	0,47
	225	0,75
325	75	0,46
	125	0,67
	225	1,06
	325	1,46
425	75	0,61
	125	0,87
	225	1,39
	325	1,90
	425	2,42
525	75	0,74
	125	1,07
	225	1,70
	325	2,33
	425	2,96
	525	3,61
625	75	0,88
	125	1,26
	225	2,01
	325	2,76
	425	3,50
	525	4,28
825	75	1,17
	125	1,68
	225	2,65
	325	3,63
	425	4,61
	525	5,62
1025	75	1,45
	125	2,08
	225	3,29
	325	4,50
	425	5,71
	525	6,96
1225	75	1,72
	125	2,47
	225	3,91
	325	5,36
	425	6,80
	525	8,29

Ordering Codes

Damper

R1-NOVA

Dimensions

W x H

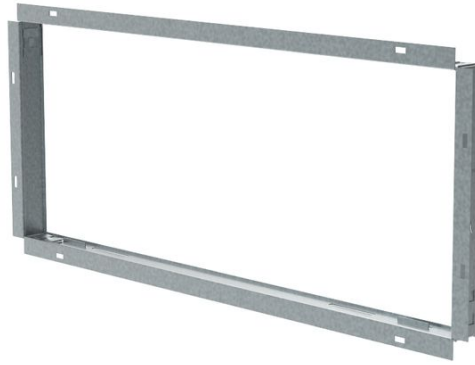
Example of the Ordering Code

R1-NOVA-1025x75

Damper for NOVA, dimensions 1025 mm × 75 mm.

UR-NOVA

Mounting Frame for NOVA

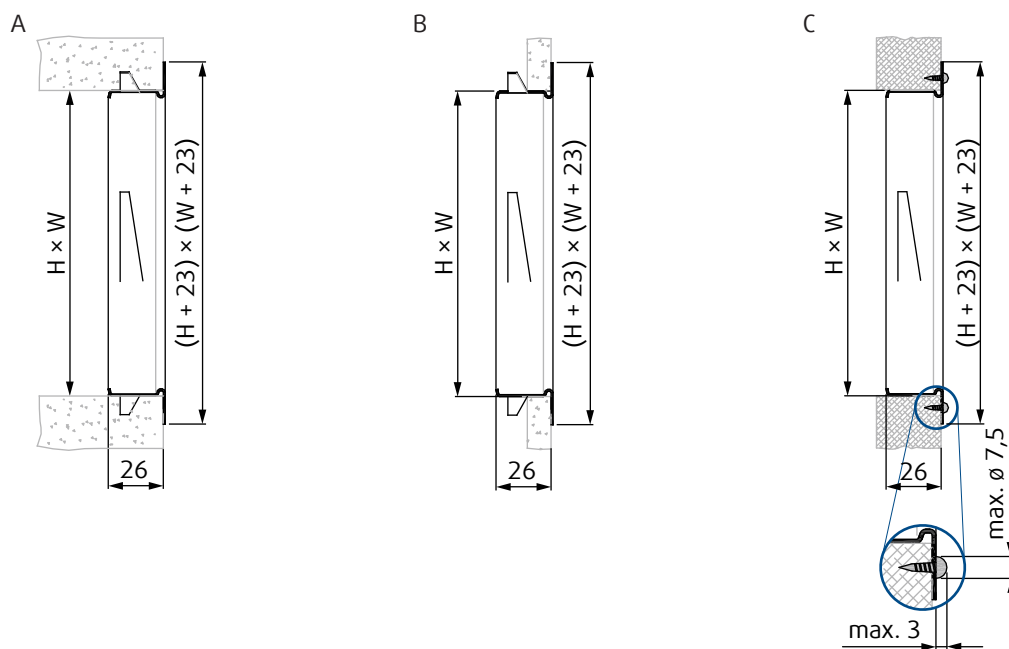
**Description**

UR-NOVA is a mounting frame for NOVA grilles. The product is intended to simplify the installation of a grille. The product is installed into a walls, ceilings or rectangular ducts.

Design

The product is manufactured from galvanized steel sheet.

Non-standard version of the product manufactured from stainless steel is available upon request.

Dimension

A - walling concrete, B - plaster board, C - wood

W	H	m	W	H	m
mm		kg	mm		kg
200	100	0,19	225	75	0,19
	150	0,22		125	0,22
	200	0,26		225	0,29
300	100	0,26	325	75	0,26
	150	0,29		125	0,29
	200	0,33		225	0,36
	300	0,39		325	0,43
400	100	0,33	425	75	0,33
	150	0,36		125	0,36
	200	0,39		225	0,43
	300	0,46		325	0,49
	400	0,53		425	0,56
500	100	0,39	525	75	0,39
	150	0,43		125	0,43
	200	0,46		225	0,49
	300	0,53		325	0,56
	400	0,59		425	0,63
	500	0,66		525	0,69
600	100	0,46	625	75	0,46
	150	0,49		125	0,49
	200	0,53		225	0,56
	300	0,59		325	0,63
	400	0,66		425	0,69
	500	0,73		525	0,76
800	100	0,59	825	75	0,59
	150	0,63		125	0,63
	200	0,66		225	0,69
	300	0,73		325	0,76
	400	0,79		425	0,83
	500	0,86		525	0,90
1000	100	0,73	1025	75	0,73
	150	0,76		125	0,76
	200	0,79		225	0,83
	300	0,86		325	0,90
	400	0,93		425	0,96
	500	1,00		525	1,03
1200	100	0,86	1225	75	0,86
	150	0,90		125	0,90
	200	0,93		225	0,96
	300	1,00		325	1,03
	400	1,06		425	1,10
	500	1,13		525	1,16

Ordering Codes

Mounting frame

UR-NOVA

Dimensions

W x H

Example of the Ordering Code

UR-NOVA-1025x125

Mounting frame for NOVA, dimensions 1025 mm × 125 mm from galvanized steel.

Quick Selection

Air flow volume q_v at different A-weighted sound power levels L_{WA}

NOTE: The working points were **measured with open R1-NOVA damper**.

Item	25 dB(A)		30 dB(A)		35 dB(A)	
	m ³ /h	l/s	m ³ /h	l/s	m ³ /h	l/s
NOVA-A-2-2-200x100-H-SW	227	63	288	80	351	97
NOVA-A-2-2-200x150-H-SW	330	92	425	118	524	145
NOVA-A-2-2-200x200-H-SW	421	117	556	154	701	195
NOVA-A-2-2-225x75-H-SW	193	54	244	68	295	82
NOVA-A-2-2-225x125-H-SW	305	85	398	111	497	138
NOVA-A-2-2-225x225-H-SW	505	140	687	191	887	246
NOVA-A-2-2-300x100-H-SW	323	90	421	117	524	146
NOVA-A-2-2-300x150-H-SW	461	128	618	172	785	218
NOVA-A-2-2-300x200-H-SW	576	160	800	222	1051	292
NOVA-A-2-2-300x300-H-SW	763	212	1124	312	1553	431
NOVA-A-2-2-325x75-H-SW	263	73	343	95	428	119
NOVA-A-2-2-325x125-H-SW	418	116	559	155	712	198
NOVA-A-2-2-325x225-H-SW	666	185	948	263	1278	355
NOVA-A-2-2-325x325-H-SW	840	233	1273	354	1808	502
NOVA-A-2-2-400x100-H-SW	404	112	546	152	705	196
NOVA-A-2-2-400x150-H-SW	584	162	801	223	1040	289
NOVA-A-2-2-400x200-H-SW	714	198	1027	285	1395	388
NOVA-A-2-2-400x300-H-SW	938	261	1431	398	2036	565
NOVA-A-2-2-400x400-H-SW	1055	293	1730	481	2615	726
NOVA-A-2-2-425x75-H-SW	331	92	440	122	558	155
NOVA-A-2-2-425x125-H-SW	526	146	715	199	922	256
NOVA-A-2-2-425x225-H-SW	825	229	1204	334	1645	457
NOVA-A-2-2-425x325-H-SW	1010	281	1588	441	2318	644
NOVA-A-2-2-425x425-H-SW	1112	309	1877	521	2896	804
NOVA-A-2-2-500x100-H-SW	488	136	671	186	874	243
NOVA-A-2-2-500x150-H-SW	687	191	974	271	1303	362
NOVA-A-2-2-500x200-H-SW	846	235	1247	346	1727	480
NOVA-A-2-2-500x300-H-SW	1091	303	1718	477	2505	696
NOVA-A-2-2-500x400-H-SW	1201	334	2046	568	3191	886
NOVA-A-2-2-500x500-H-SW	1211	336	2242	623	3736	1038
NOVA-A-2-2-525x75-H-SW	395	110	535	148	686	191
NOVA-A-2-2-525x125-H-SW	613	170	861	239	1143	318
NOVA-A-2-2-525x225-H-SW	951	264	1433	398	2021	562
NOVA-A-2-2-525x325-H-SW	1158	322	1877	521	2814	782
NOVA-A-2-2-525x425-H-SW	1245	346	2183	606	3487	968

Item	25 dB(A)		30 dB(A)		35 dB(A)	
	m ³ /h	l/s	m ³ /h	l/s	m ³ /h	l/s
NOVA-A-2-2-525x525-H-SW	1222	340	2337	649	4004	1112
NOVA-A-2-2-600x100-H-SW	564	157	789	219	1046	290
NOVA-A-2-2-600x150-H-SW	780	217	1138	316	1563	434
NOVA-A-2-2-600x200-H-SW	965	268	1456	404	2057	571
NOVA-A-2-2-600x300-H-SW	1231	342	1991	553	2962	823
NOVA-A-2-2-600x400-H-SW	1332	370	2341	650	3743	1040
NOVA-A-2-2-600x500-H-SW	1314	365	2523	701	4339	1205
NOVA-A-2-2-625x75-H-SW	447	124	623	173	822	228
NOVA-A-2-2-625x125-H-SW	709	197	1009	280	1350	375
NOVA-A-2-2-625x225-H-SW	1081	300	1663	462	2379	661
NOVA-A-2-2-625x325-H-SW	1301	362	2162	601	3291	914
NOVA-A-2-2-625x425-H-SW	1366	379	2469	686	4050	1125
NOVA-A-2-2-625x525-H-SW	1314	365	2595	721	4600	1278
NOVA-A-2-2-800x100-H-SW	698	194	1015	282	1391	386
NOVA-A-2-2-800x150-H-SW	979	272	1466	407	2049	569
NOVA-A-2-2-800x200-H-SW	1196	332	1862	517	2687	746
NOVA-A-2-2-800x300-H-SW	1464	407	2478	688	3847	1069
NOVA-A-2-2-800x400-H-SW	1552	431	2867	796	4784	1329
NOVA-A-2-2-800x500-H-SW	1471	409	3011	836	5455	1515
NOVA-A-2-2-825x75-H-SW	562	156	800	222	1075	299
NOVA-A-2-2-825x125-H-SW	859	239	1276	354	1779	494
NOVA-A-2-2-825x225-H-SW	1308	363	2088	580	3081	856
NOVA-A-2-2-825x325-H-SW	1539	428	2672	742	4213	1170
NOVA-A-2-2-825x425-H-SW	1570	436	2995	832	5108	1419
NOVA-A-2-2-825x525-H-SW	1444	401	3058	850	5704	1584
NOVA-A-2-2-1000x100-H-SW	839	233	1240	344	1714	476
NOVA-A-2-2-1000x150-H-SW	1140	317	1764	490	2541	706
NOVA-A-2-2-1000x200-H-SW	1385	385	2229	619	3315	921
NOVA-A-2-2-1000x300-H-SW	1682	467	2948	819	4686	1302
NOVA-A-2-2-1000x400-H-SW	1729	480	3339	927	5762	1601
NOVA-A-2-2-1000x500-H-SW	1583	440	3416	949	6466	1796
NOVA-A-2-2-1025x75-H-SW	667	185	971	270	1326	368
NOVA-A-2-2-1025x125-H-SW	1022	284	1546	429	2179	605
NOVA-A-2-2-1025x225-H-SW	1503	417	2477	688	3767	1046
NOVA-A-2-2-1025x325-H-SW	1738	483	3131	870	5095	1415
NOVA-A-2-2-1025x425-H-SW	1728	480	3439	955	6074	1687
NOVA-A-2-2-1025x525-H-SW	1530	425	3429	952	6695	1860
NOVA-A-2-2-1200x100-H-SW	954	265	1445	401	2048	569
NOVA-A-2-2-1200x150-H-SW	1300	361	2055	571	3014	837

Item	25 dB(A)		30 dB(A)		35 dB(A)	
	m ³ /h	l/s	m ³ /h	l/s	m ³ /h	l/s
NOVA-A-2-2-1200x200-H-SW	1579	439	2595	721	3910	1086
NOVA-A-2-2-1200x300-H-SW	1866	518	3368	936	4989	1386
NOVA-A-2-2-1200x400-H-SW	1877	521	3754	1043	5754	1598
NOVA-A-2-2-1200x500-H-SW	1676	465	3750	1042	6428	1786
NOVA-A-2-2-1225x75-H-SW	764	212	1134	315	1575	437
NOVA-A-2-2-1225x125-H-SW	1156	321	1792	498	2586	718
NOVA-A-2-2-1225x225-H-SW	1692	470	2855	793	4369	1214
NOVA-A-2-2-1225x325-H-SW	1911	531	3540	983	5244	1457
NOVA-A-2-2-1225x425-H-SW	1859	516	3835	1065	5991	1664
NOVA-A-2-2-1225x525-H-SW	1598	444	3731	1036	6653	1848

Air flow volume q_v at different A-weighted sound pressure levels L_{pA} with 10m² absorption area

NOTE: The working points were **measured with open R1-NOVA damper**.

Item	20 dB(A)		25 dB(A)		30 dB(A)	
	m ³ /h	l/s	m ³ /h	l/s	m ³ /h	l/s
NOVA-A-2-2-200x100-H-SW	215	60	276	77	338	94
NOVA-A-2-2-200x150-H-SW	311	86	406	113	504	140
NOVA-A-2-2-200x200-H-SW	394	109	528	147	670	186
NOVA-A-2-2-225x75-H-SW	182	51	233	65	285	79
NOVA-A-2-2-225x125-H-SW	288	80	379	105	476	132
NOVA-A-2-2-225x225-H-SW	471	131	649	180	846	235
NOVA-A-2-2-300x100-H-SW	304	84	401	111	502	140
NOVA-A-2-2-300x150-H-SW	431	120	585	163	751	209
NOVA-A-2-2-300x200-H-SW	534	148	753	209	998	277
NOVA-A-2-2-300x300-H-SW	697	194	1047	291	1461	406
NOVA-A-2-2-325x75-H-SW	247	69	327	91	410	114
NOVA-A-2-2-325x125-H-SW	391	109	530	147	680	189
NOVA-A-2-2-325x225-H-SW	613	170	889	247	1208	336
NOVA-A-2-2-325x325-H-SW	763	212	1179	327	1691	470
NOVA-A-2-2-400x100-H-SW	376	104	517	144	672	187
NOVA-A-2-2-400x150-H-SW	541	150	757	210	991	275
NOVA-A-2-2-400x200-H-SW	657	182	961	267	1317	366
NOVA-A-2-2-400x300-H-SW	849	236	1325	368	1904	529
NOVA-A-2-2-400x400-H-SW	939	261	1581	439	2418	672
NOVA-A-2-2-425x75-H-SW	310	86	417	116	533	148
NOVA-A-2-2-425x125-H-SW	488	136	676	188	880	244
NOVA-A-2-2-425x225-H-SW	755	210	1124	312	1551	431
NOVA-A-2-2-425x325-H-SW	910	253	1462	406	2158	599
NOVA-A-2-2-425x425-H-SW	983	273	1706	474	2668	741
NOVA-A-2-2-500x100-H-SW	453	126	632	176	831	231
NOVA-A-2-2-500x150-H-SW	633	176	914	254	1233	342
NOVA-A-2-2-500x200-H-SW	773	215	1162	323	1624	451
NOVA-A-2-2-500x300-H-SW	981	273	1582	439	2333	648
NOVA-A-2-2-500x400-H-SW	1061	295	1855	515	2934	815
NOVA-A-2-2-500x500-H-SW	1048	291	2004	557	3392	942
NOVA-A-2-2-525x75-H-SW	367	102	506	140	655	182
NOVA-A-2-2-525x125-H-SW	567	157	809	225	1084	301
NOVA-A-2-2-525x225-H-SW	864	240	1329	369	1894	526
NOVA-A-2-2-525x325-H-SW	1035	288	1717	477	2606	724
NOVA-A-2-2-525x425-H-SW	1093	304	1970	547	3191	886
NOVA-A-2-2-525x525-H-SW	1051	292	2076	577	3617	1005
NOVA-A-2-2-600x100-H-SW	521	145	742	206	992	275
NOVA-A-2-2-600x150-H-SW	715	199	1062	295	1471	409

Item	20 dB(A)		25 dB(A)		30 dB(A)	
	m ³ /h	l/s	m ³ /h	l/s	m ³ /h	l/s
NOVA-A-2-2-600x200-H-SW	877	243	1350	375	1927	535
NOVA-A-2-2-600x300-H-SW	1100	306	1824	507	2747	763
NOVA-A-2-2-600x400-H-SW	1168	324	2111	587	3425	951
NOVA-A-2-2-600x500-H-SW	1128	313	2239	622	3917	1088
NOVA-A-2-2-625x75-H-SW	415	115	586	163	780	217
NOVA-A-2-2-625x125-H-SW	652	181	946	263	1277	355
NOVA-A-2-2-625x225-H-SW	978	272	1537	427	2223	617
NOVA-A-2-2-625x325-H-SW	1156	321	1971	547	3040	844
NOVA-A-2-2-625x425-H-SW	1191	331	2214	615	3688	1024
NOVA-A-2-2-625x525-H-SW	1122	312	2290	636	4127	1146
NOVA-A-2-2-800x100-H-SW	640	178	947	263	1310	364
NOVA-A-2-2-800x150-H-SW	891	247	1362	378	1924	534
NOVA-A-2-2-800x200-H-SW	1079	300	1717	477	2507	696
NOVA-A-2-2-800x300-H-SW	1296	360	2250	625	3540	983
NOVA-A-2-2-800x400-H-SW	1345	374	2562	712	4341	1206
NOVA-A-2-2-800x500-H-SW	1244	346	2641	734	4875	1354
NOVA-A-2-2-825x75-H-SW	518	144	750	208	1017	282
NOVA-A-2-2-825x125-H-SW	784	218	1186	329	1671	464
NOVA-A-2-2-825x225-H-SW	1173	326	1917	532	2863	795
NOVA-A-2-2-825x325-H-SW	1352	375	2417	671	3866	1074
NOVA-A-2-2-825x425-H-SW	1348	374	2663	740	4618	1283
NOVA-A-2-2-825x525-H-SW	1211	336	2666	741	5070	1408
NOVA-A-2-2-1000x100-H-SW	766	213	1155	321	1613	448
NOVA-A-2-2-1000x150-H-SW	1030	286	1628	452	2371	659
NOVA-A-2-2-1000x200-H-SW	1240	345	2043	567	3075	854
NOVA-A-2-2-1000x300-H-SW	1474	410	2661	739	4293	1193
NOVA-A-2-2-1000x400-H-SW	1482	412	2961	822	5198	1444
NOVA-A-2-2-1000x500-H-SW	1322	367	2968	824	5731	1592
NOVA-A-2-2-1025x75-H-SW	611	170	907	252	1250	347
NOVA-A-2-2-1025x125-H-SW	927	258	1433	398	2042	567
NOVA-A-2-2-1025x225-H-SW	1339	372	2260	628	3480	967
NOVA-A-2-2-1025x325-H-SW	1513	420	2812	781	4648	1291
NOVA-A-2-2-1025x425-H-SW	1471	409	3032	842	5469	1519
NOVA-A-2-2-1025x525-H-SW	1267	352	2959	822	5901	1639
NOVA-A-2-2-1200x100-H-SW	865	240	1339	372	1917	532
NOVA-A-2-2-1200x150-H-SW	1169	325	1889	525	2803	779
NOVA-A-2-2-1200x200-H-SW	1405	390	2371	659	3619	1005
NOVA-A-2-2-1200x300-H-SW	1625	451	3024	840	4989	1386
NOVA-A-2-2-1200x400-H-SW	1596	443	3308	919	5754	1598

Item	20 dB(A)		25 dB(A)		30 dB(A)	
	m ³ /h	l/s	m ³ /h	l/s	m ³ /h	l/s
NOVA-A-2-2-1200x500-H-SW	1392	387	3233	898	6428	1786
NOVA-A-2-2-1225x75-H-SW	697	194	1055	293	1480	411
NOVA-A-2-2-1225x125-H-SW	1044	290	1653	459	2413	670
NOVA-A-2-2-1225x225-H-SW	1497	416	2594	720	4073	1131
NOVA-A-2-2-1225x325-H-SW	1656	460	3161	878	5244	1457
NOVA-A-2-2-1225x425-H-SW	1571	436	3359	933	5991	1664
NOVA-A-2-2-1225x525-H-SW	1313	365	3193	887	6632	1842

Technical Parameters

Diagrams and technical parameters are available at design.systemair.com

Installation

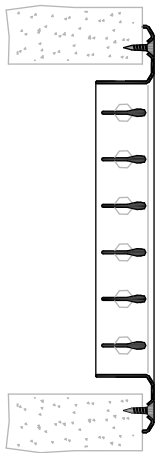
IMPORTANT:

The mounting frame after installation must not be deformed by external forces (like by mounting into improperly formed and sized installation opening, etc.)

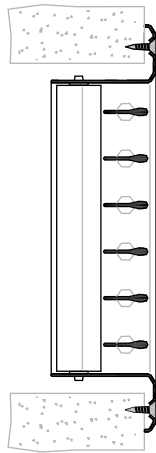
Mounting

- 1 Screws
- 2 Spring clips
- 3 Safety mounting mechanism (non-standard; available upon request)

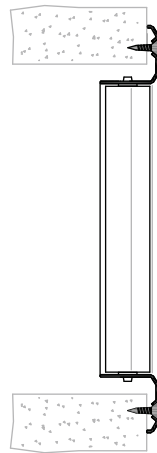
1 Screws



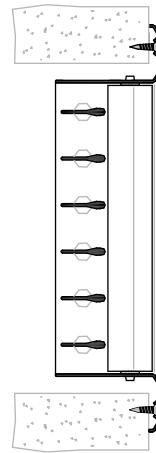
NOVA-A-1-1...H



NOVA-A-2-1...H



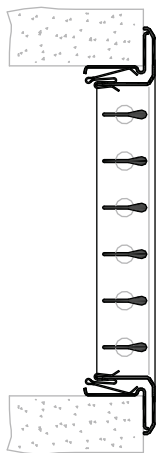
NOVA-A-1-1...V



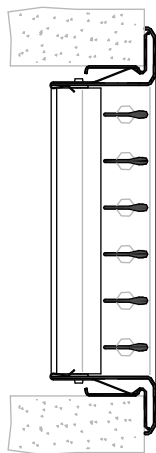
NOVA-A-2-1...V

NOTE: For mounting type "1" it is recommended to reduce the cut-out height dimension H by 10 mm. This helps fixing the grille in proper position.

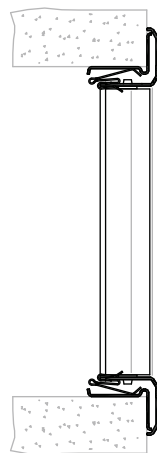
2 Spring clips



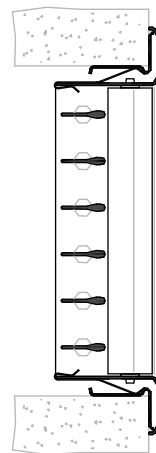
NOVA-A-1-2...H



NOVA-A-2-2...H

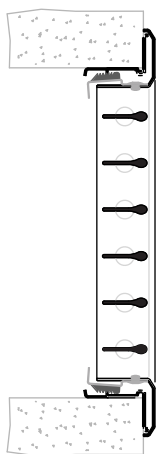


NOVA-A-1-2...V

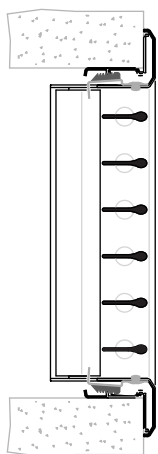


NOVA-A-2-2...V

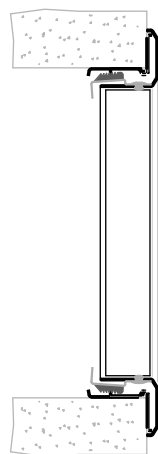
3 Safety mounting mechanism



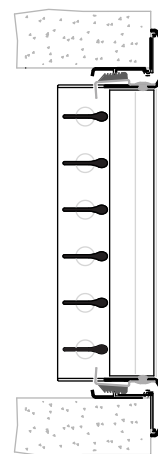
NOVA-A-1-3...H



NOVA-A-2-3...H



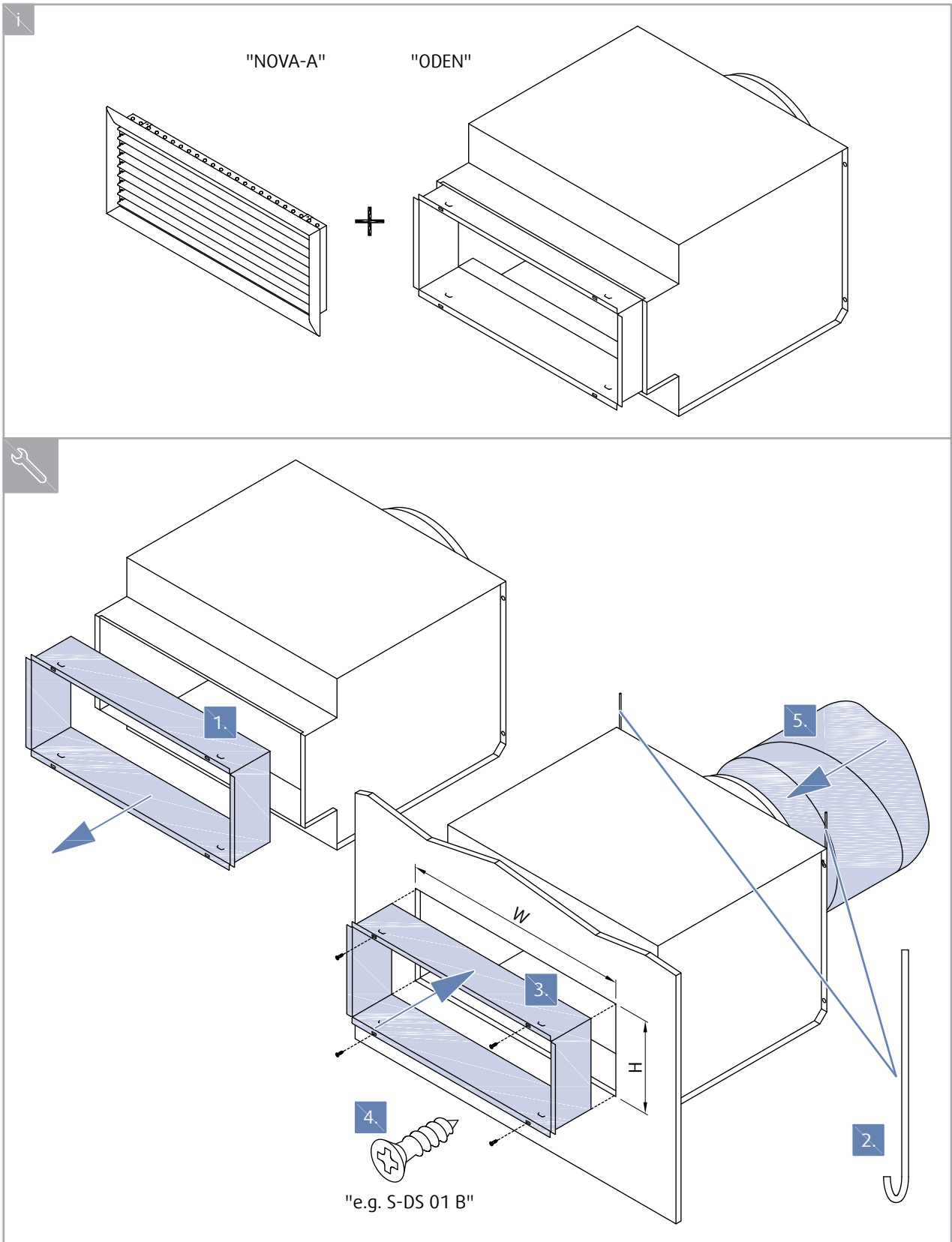
NOVA-A-1-3...V

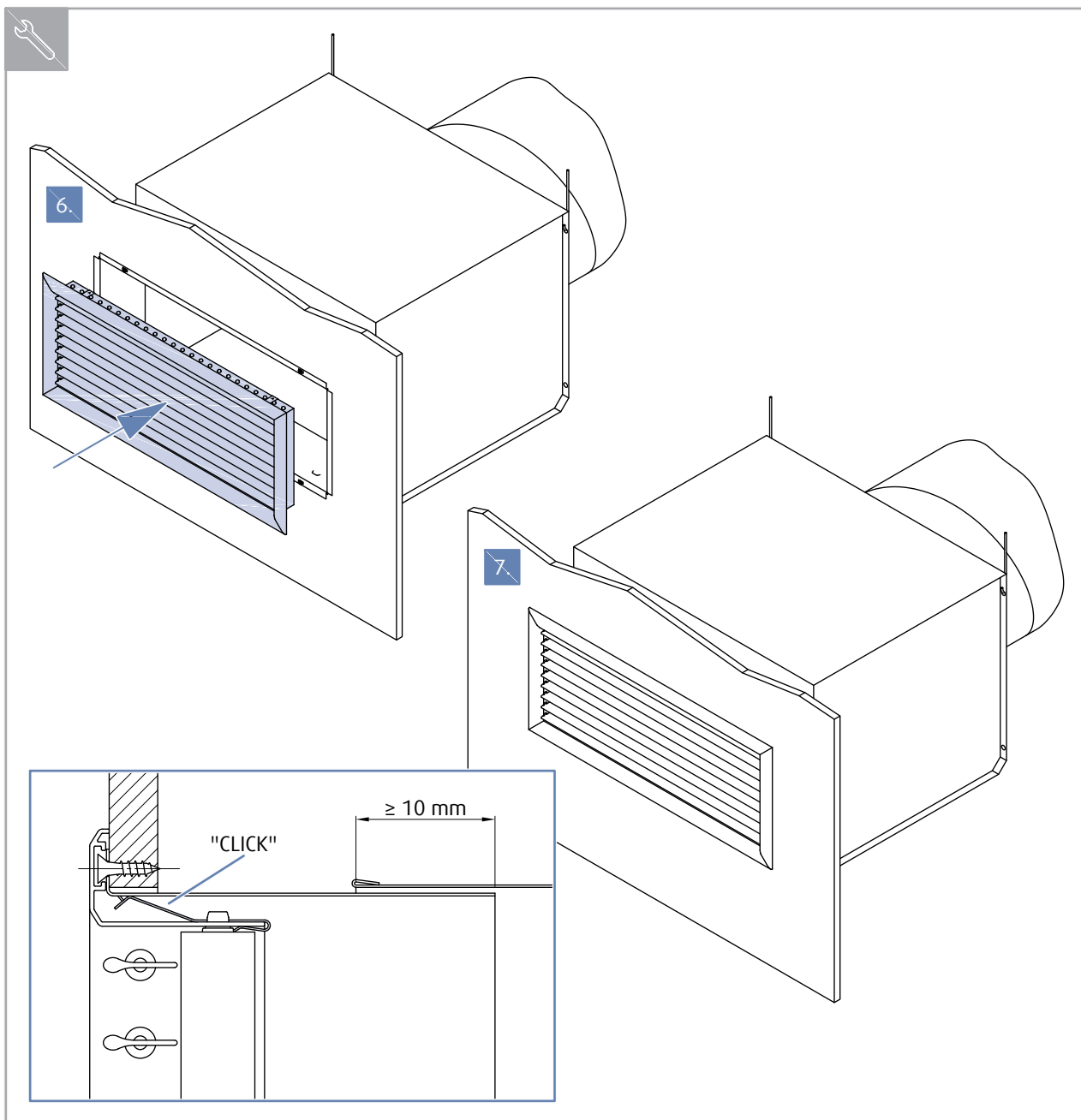


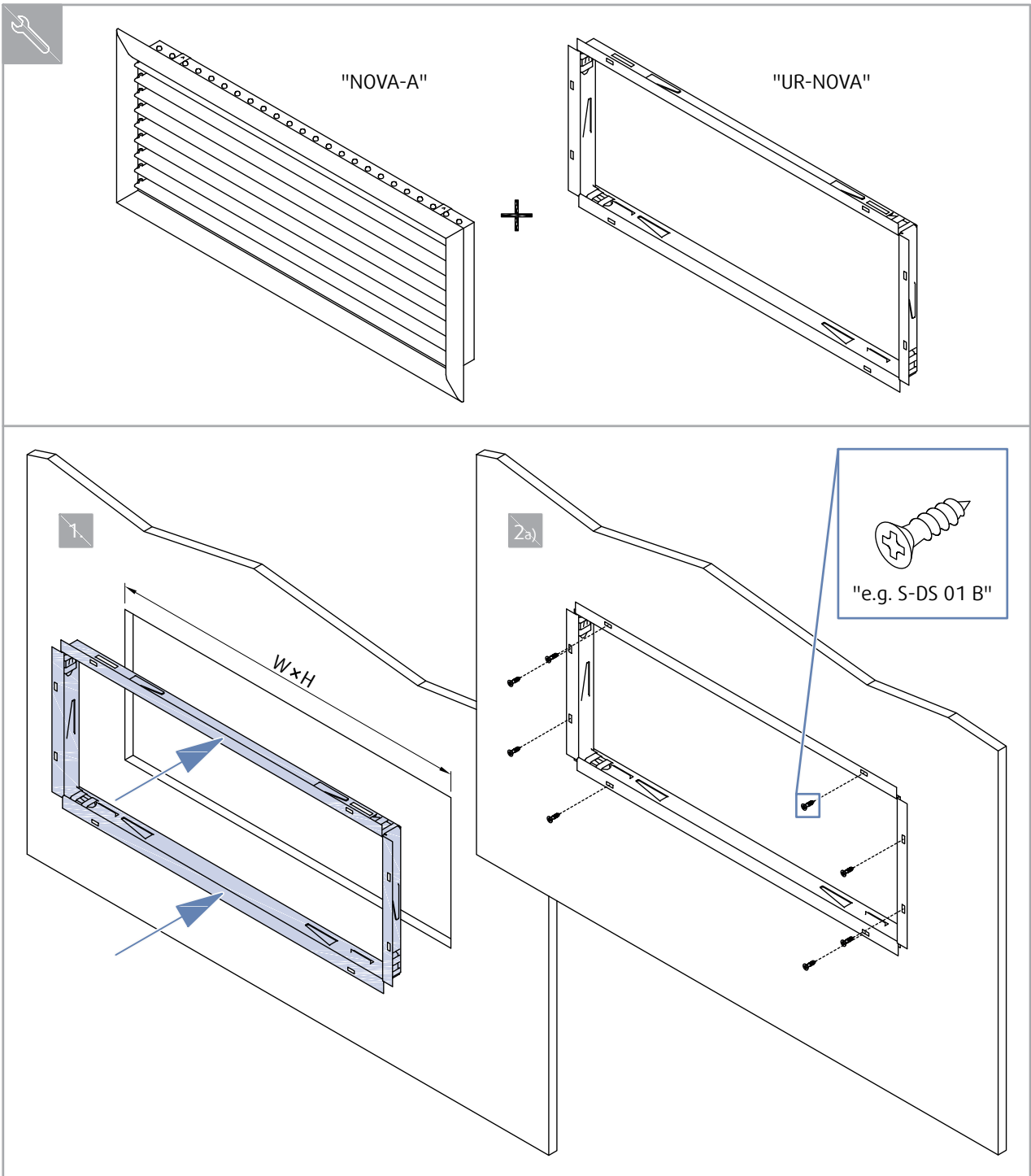
NOVA-A-2-3...V

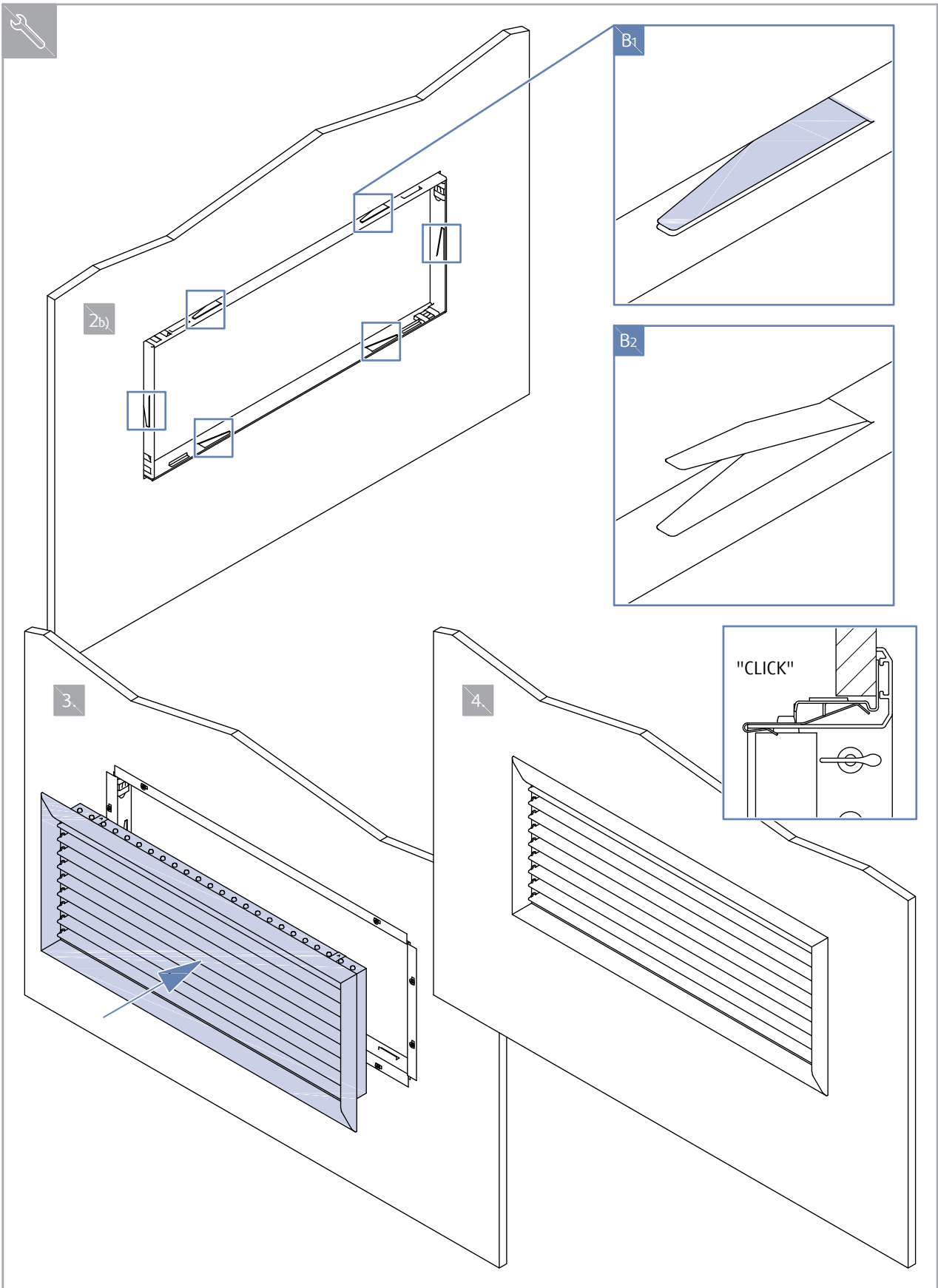
NOTES:

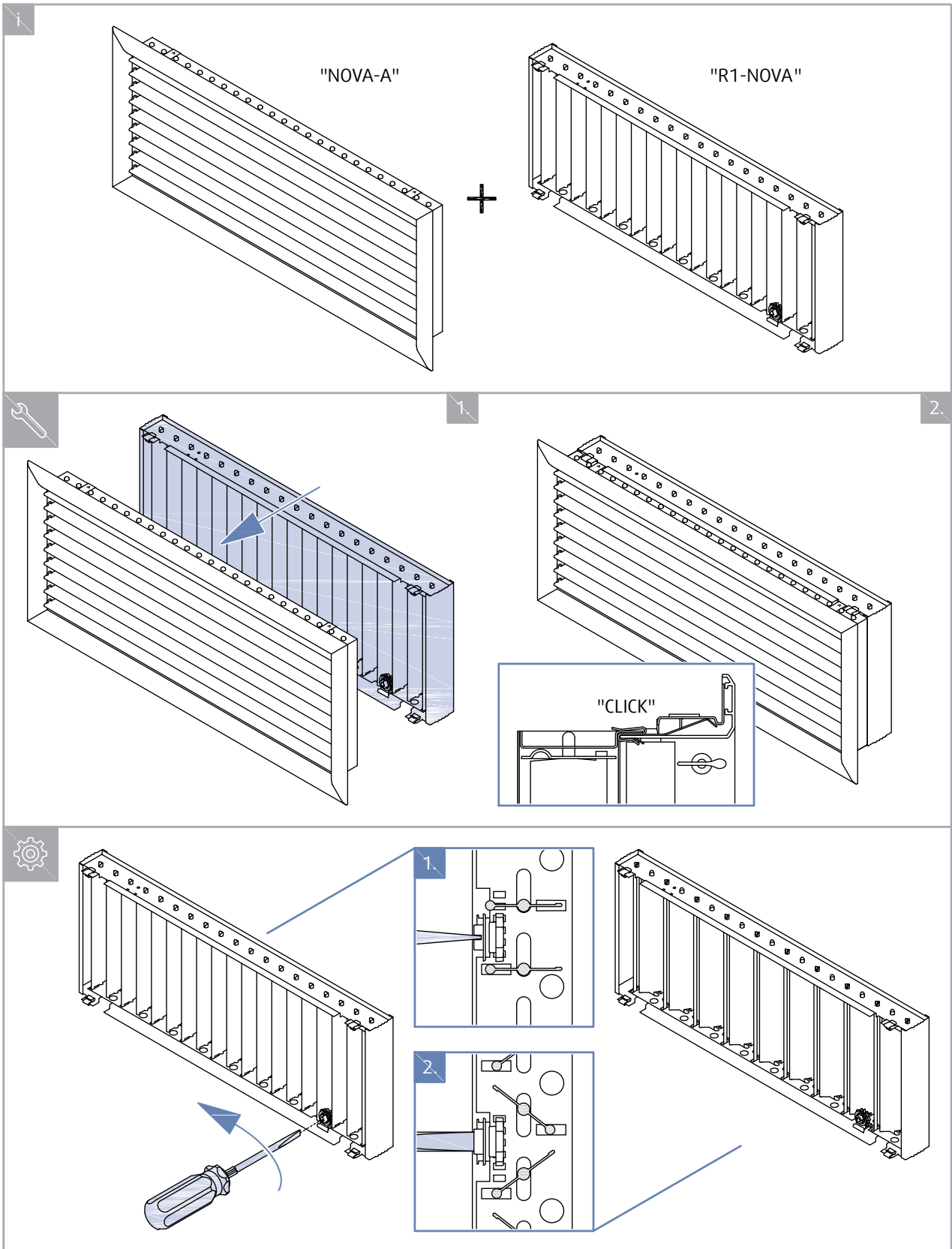
- For fixing type "3" the size of the installation opening for the mounting frame must be exactly according to the specification in this document (W × H dimension in the dimensions table).
- For sufficient safety, the grilles with more than 4 fixing type "3" spring ratchets (dimension W ≥ 600 mm) are equipped by 2 chains. These must be fixed to the adjacent rigid building structure.



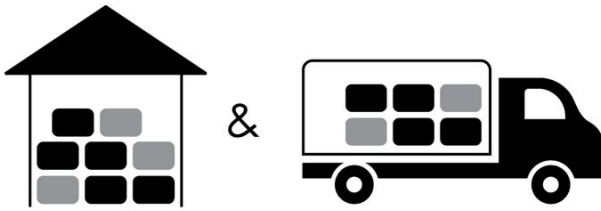









Transport, Storage and Operation



 °C -40 °C ... +50 °C

 % ≤ 95%



 °C -20 °C ... +70 °C

 % ≤ 95%

Supplement

Any deviations from the technical specifications contained herein and the terms should be discussed with the manufacturer. We reserve the right to make any changes to the product without prior notice, provided that these changes do not affect the quality of the product and the required parameters.

Current information on all products is available on design.systemair.com.

