

MUB/F Insulated duct fans

High-performing smoke extract fans for harsh working conditions in the event of a fire.

- 400°C/120 min (F400): Tested according to EN 12101-3 at LGAI Barcelona.
- Continuous medium temperature up to 55°C.
- Acoustic and thermal insulation 20 mm
- Indoor and outdoor installation
- Flexible airflow direction due to removable panels

[Find more details in our online catalogue](#)



Powerful smoke extraction

The smoke extract units MUB/F are used in case of fire to extract smoke gases and also during normal working conditions for standard temperature up to 55°C continuously.

Flexibility

The MUB/F fans are intended to use for **extract** air, designed to be installed in **any position**.

The MUB/F fans are designed for straight through airflow but can easily be rebuilt due to **removable panels**. Construction of casing and thermal insulation permits **outdoor** and **indoor** use.

Hard-wearing design

The casing consists of a frame, manufactured from profiled steel, 4 double skin panels from galvanized steel and 20 mm mineral wool insulation inside.

Performance

High performed impeller covering **the most modern technology**.

Certifications



Features

Construction

The **casing** consists of a steel frame, manufactured from profiled steel, 4 double skin panels from galvanized steel and 20 mm mineral wool insulation inside.

The fan inlet side is equipped with an inlet cone and a circular connection spigot with rubber sealings.

The fan outlet panel, which can easily be changed at site from straight through air direction to top or side outlet, is equipped with a circular connection spigot, same connection diameter as on the fan inlet.

Impeller

The MUB/F fans use **radial** impeller with **backward curved blades**. These are manufactured out of galvanized steel, dynamically **balanced** and paired with corresponding **IEC motors** with efficiency **IE3**.

Motor

High temperature motors for temperature classification F400 (400°C/120 min). Available as single-speed or two-speed.

Motor protection

Motor protection can be realized by the **over current device** from the frequency converter, for example.

Control

The **motor** can be controlled by **AES control unit** or **frequency converter**.

Installation

The MUB/F fans can be installed in any position **indoor** and **with weather protection roof** also **outdoor**.

Technical parameters

Nominal data

Voltage (nominal)	400	V
Frequency	50	Hz
Phases	3~	
Motor circuit connection	Y	
Input power	778	W
Input power kW	0.778	kW
Starting current	10	A
Input current	1.72	A
Impeller speed	966	rpm
Air flow	max 7,027	m³/h
Max. Temperature of transported air for 120 min	400	°C
Temperature of transported air	max 55	°C
Max temperature of transported air, when speed controlled	55	°C

Sound data

Sound pressure level at 10m (free field)	31	dB(A)
Sound pressure level at 3m (20m² Sabin)	55	dB(A)
Sound pressure level at 4m (free field)	39	dB(A)

Protection/Classification

Enclosure class, motor	IP55
Insulation class	H

Dimensions and weights

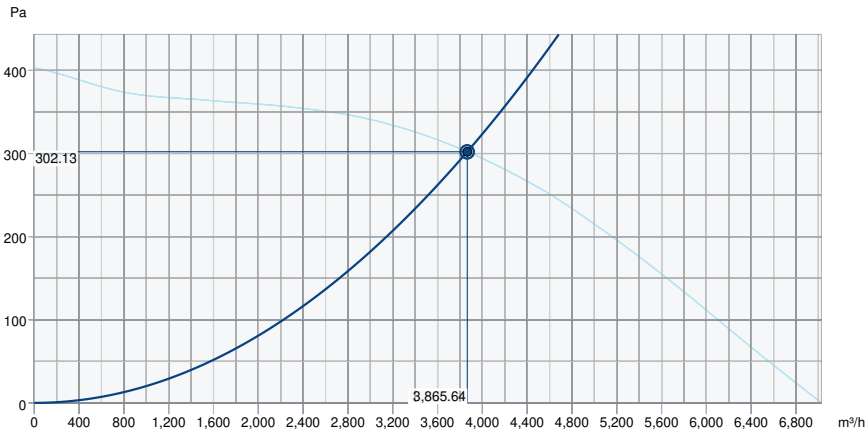
Weight	126	kg
--------	-----	----

Others

Motor type	AC
------------	----

Performance

Performance curve



Hydraulic data

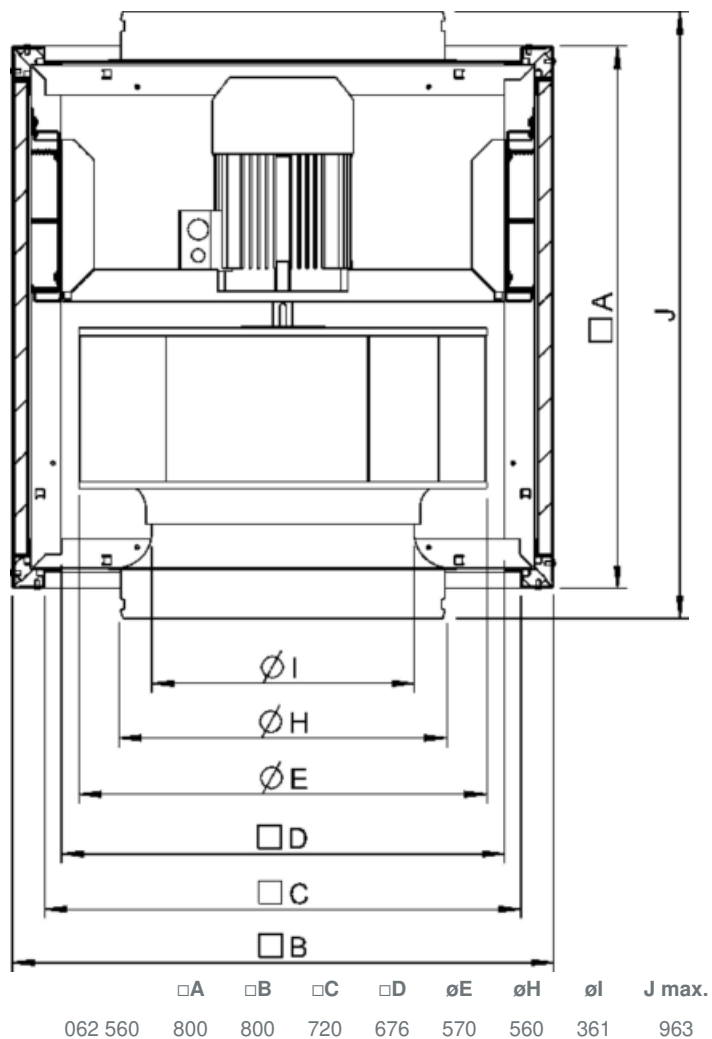
Required air flow	3,865 m³/h
Required static pressure	302 Pa
Working air flow	3,866 m³/h
Working static pressure	302 Pa
Air density	1.204 kg/m³
Power	764.2 W
Fan control - RPM	966 rpm
Current	1.71 A
SFP	0.712 kW/m³/s
Control voltage	400.0 V
Supply voltage	400 V

Sound power level		63	125	250	500	1k	2k	4k	8k	Total
Inlet	dB(A)	54	61	61	62	63	61	57	52	69
Outlet	dB(A)	55	63	62	63	64	62	58	54	70
Surrounding	dB(A)	33	45	52	46	48	46	40	33	55
Sound pressure level at 3m (20m² Sabine)	dB(A)	-	-	-	-	-	-	-	-	48
Sound pressure level at 3m free field	dB(A)	-	-	-	-	-	-	-	-	34

AMCA Certified Rating statements

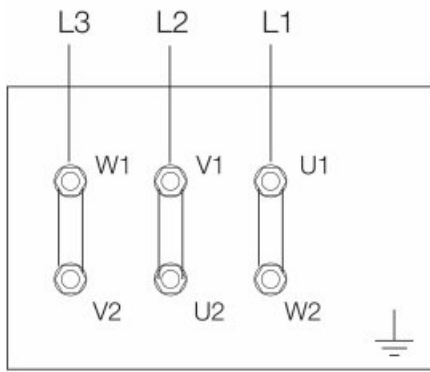
- Catalogue Version:

Dimension

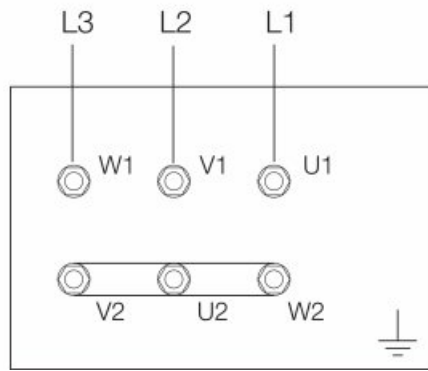


Wiring

230V3~ (D)



400V3~ (Y)



Accessories

- AES3.2-1,1kW,D, control unit (77051)
- GFL-AR/AXC 560 counter flange (8381)
- RSA 560/1120/080 (F) (311363)
- FC102-1,1kW/3A-IP55, 150/50m (36158)
- REV-6POL/F400-11kW R/Y (162539)
- EVH 560 flex.conn. AXC 400°C (8369)
- LRK 560(F) air oper. damper (8321)
- SD-MUB Vibration pad set (37324)
- REV-6POL/F400-11kW B/G (162544)

Documents

- Installation, Operation and Maintenance instruction_001
- 2797_CPR_719672.PDF
- COMPANY STATEMENT FREQUENCY CONVERTER AXC(B)+MUB EN.PDF
- DOP_MUB(F)_WEG_EN_010.PDF
- eu_declaration_of_conformity_smoke_extract_fans_en_003.pdf