

MUB/F Insulated duct fans

High-performing smoke extract fans for harsh working conditions in the event of a fire.

- 400°C/120 min (F400): Tested according to EN 12101-3 at LGAI Barcelona.
- Continuous medium temperature up to 55°C.
- Acoustic and thermal insulation 20 mm
- Indoor and outdoor installation
- Flexible airflow direction due to removable panels

[Find more details in our online catalogue](#)



Powerful smoke extraction

The smoke extract units MUB/F are used in case of fire to extract smoke gases and also during normal working conditions for standard temperature up to 55°C continuously.

Flexibility

The MUB/F fans are intended to use for **extract** air, designed to be installed in **any position**.

The MUB/F fans are designed for straight through airflow but can easily be rebuilt due to **removable panels**. Construction of casing and thermal insulation permits **outdoor** and **indoor** use.

Hard-wearing design

The casing consists of a frame, manufactured from profiled steel, 4 double skin panels from galvanized steel and 20 mm mineral wool insulation inside.

Performance

High performed impeller covering **the most modern technology**.

Certifications



Features

Construction

The **casing** consists of a steel frame, manufactured from profiled steel, 4 double skin panels from galvanized steel and 20 mm mineral wool insulation inside.

The fan inlet side is equipped with an inlet cone and a circular connection spigot with rubber sealings.

The fan outlet panel, which can easily be changed at site from straight through air direction to top or side outlet, is equipped with a circular connection spigot, same connection diameter as on the fan inlet.

Impeller

The MUB/F fans use **radial** impeller with **backward curved blades**. These are manufactured out of galvanized steel, dynamically **balanced** and paired with corresponding **IEC motors** with efficiency **IE3**.

Motor

High temperature motors for temperature classification F400 (400°C/120 min). Available as single-speed or two-speed.

Motor protection

Motor protection can be realized by the **over current device** from the frequency converter, for example.

Control

The **motor** can be controlled by **AES control unit** or **frequency converter**.

Installation

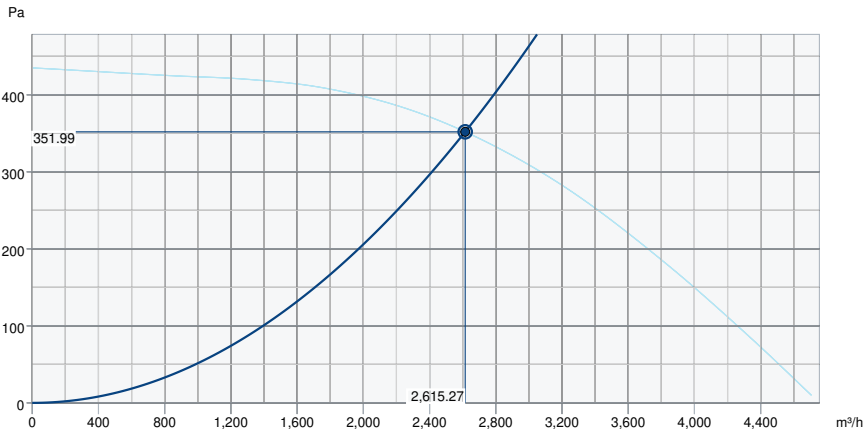
The MUB/F fans can be installed in any position **indoor** and **with weather protection roof** also **outdoor**.

Technical parameters

Nominal data		
Voltage (nominal)	400	V
Frequency	50	Hz
Phases	3~	
Motor circuit connection	Y	
Input power	763	W
Input power kW	0.763	kW
Starting current	8.12	A
Input current	1.52	A
Impeller speed	1,458	rpm
Air flow	max 4,756	m³/h
Max. Temperature of transported air for 120 min	400	°C
Temperature of transported air	max 55	°C
Max temperature of transported air, when speed controlled	55	°C
Sound data		
Sound pressure level at 10m (free field)	31	dB(A)
Sound pressure level at 3m (20m² Sabin)	55	dB(A)
Sound pressure level at 4m (free field)	39	dB(A)
Protection/Classification		
Enclosure class, motor	IP55	
Insulation class	H	
Dimensions and weights		
Weight	82	kg
Others		
Motor type	AC	

Performance

Performance curve



Hydraulic data

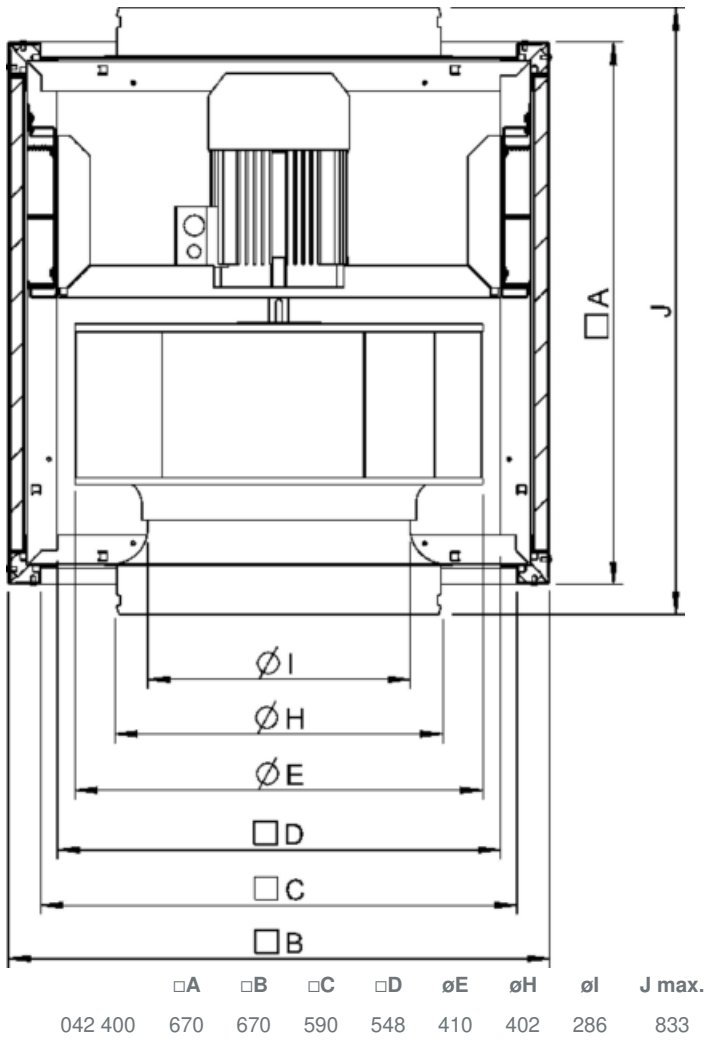
Required air flow	2,615 m³/h
Required static pressure	352 Pa
Working air flow	2,615 m³/h
Working static pressure	352 Pa
Air density	1.204 kg/m³
Power	755.8 W
Fan control - RPM	1,458 rpm
Current	1.52 A
SFP	1.040 kW/m³/s
Control voltage	400.0 V
Supply voltage	400 V

Sound power level		63	125	250	500	1k	2k	4k	8k	Total
Inlet	dB(A)	48	59	59	61	65	64	61	53	70
Outlet	dB(A)	49	61	60	62	66	66	63	55	71
Surrounding	dB(A)	28	48	50	45	50	50	44	34	56
Sound pressure level at 3m (20m² Sabine)	dB(A)	-	-	-	-	-	-	-	-	49
Sound pressure level at 3m free field	dB(A)	-	-	-	-	-	-	-	-	35

AMCA Certified Rating statements

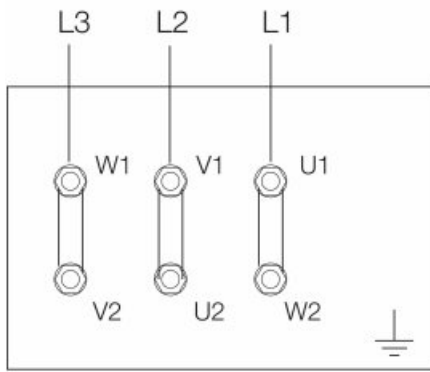
- Catalogue Version:

Dimension

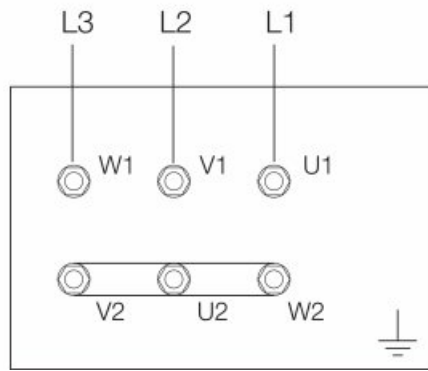


Wiring

230V3~ (D)



400V3~ (Y)



Accessories

- AES3.2-0,55KW,D, control unit (77039)
- Frequency converter FRQ5S-4A (36233)
- LRK 400(F) air oper. damper (8318)
- SD-MUB Vibration pad set (37324)
- REV-6POL/F400-11kW B/G (162544)
- EVH 400 flex.conn. AXC 400°C (8366)
- GFL-AR/AXC 400 counter flange (8378)
- RSA 400/800/070 (F) (311354)
- FC102-1,1kW/3A-IP55, 150/50m (36158)
- REV-6POL/F400-11kW R/Y (162539)

Documents

- Installation, Operation and Maintenance instruction_001
- 2797_CPR_719672.PDF
- COMPANY STATEMENT FREQUENCY CONVERTER AXC(B)+MUB EN.PDF
- DOP_MUB(F)_WEG_EN_010.PDF
- eu_declaration_of_conformity_smoke_extract_fans_en_003.pdf