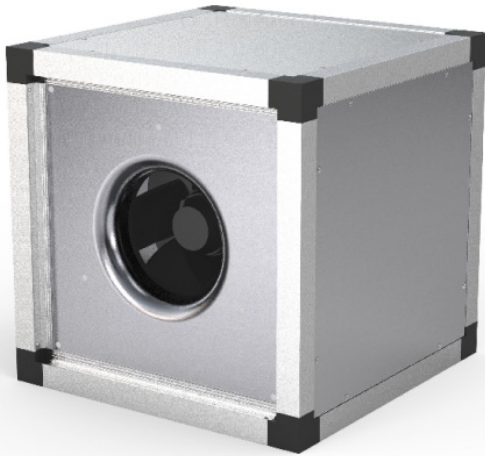


MUB Insulated duct fans

Efficient fans for supply or exhaust ventilation systems



- Acoustic and thermal insulation 30 mm
- Flexible airflow direction due to removable panels
- Indoor and outdoor installation
- Modular system of accessories
- Available with AC and EC motors for 50 and 60Hz

[Find more details in our online catalogue](#)

Flexibility

The MUB fans are intended to use for **supply** or **extract** air, designed to be installed in **any position**.

The MUB fans are designed for straight through airflow but can easily be rebuilt due to **removable panels** for 90° air discharge. The construction of the casing and thermal insulation permits **outdoor** and **indoor** use.

Modularity

Thanks to variety types of **accessories** as flexible connections, dampers, roof, base frame, etc. it is easy to design any ventilation system according to your demand.

By using special **modular systems**, where some accessories as **heaters, coolers, silencers, filters** or **carbon filters** are built-in in **the same type of casing**, you can even design a simple supply or exhaust **air handling unit**.

Performance

High performance impeller together with **high efficient** motors are designed to ensure high-level performance to **minimize power consumption** and **maximize efficiency**.

Noise

The **casing** of **MUB** fans have a perfect **acoustic** and **thermal** insulation capacity.

Certifications



Ecodesign (ErP) compliant



Green Ventilation

Features

Construction

The casing consists of a corrosion-resistant **aluminium frame** with **fibreglass reinforced plastic corners of PA6**; highly shock-resistant. **Panels** made of **double skin galvanized** sheet steel with **30 mm acoustic** and **thermal** rockwool **insulation**.

The MUB fans are designed for straight through airflow but can easily be rebuilt due to **removable panels** for 90° air discharge.

Impeller

The MUB fans use **radial** impellers with **backward curved blades**. These are made out of high-performance composite material or aluminum, dynamically **balanced** and paired with corresponding **AC** or **EC external rotor motors**.

Motor

Depending on the type, MUB fans are equipped with **AC** or **EC** external rotor motor. Motors are suitable for **50Hz** and **60Hz**.

Motor protection

Depending on the type, **AC** motors have an **integrated** thermal protection with manual (electrical) reset, prewired integral **thermocontact TK** or **thermistor PTC** with leads to a **motor protection device**.

Fans with **EC** motors have an **integrated** electronic **thermal protection** including **locked-rotor protection** and **soft-start**.

Control

EC motors with **built-in potentiometer** to adjust working point can be also controlled by external **signal 0-10V**.

EC motors, depending on the type are also equipped with **ModBus** communication **or alarm signal**.

AC motors can be controlled by **5-step, stepless** speed regulator, **D/Y** switch or **frequency converter**.

Installation

The MUB fans can be installed in any position **indoor** and together **with weather protection roof** also **outdoor**. With mounted **base frame** the MUB fans can stand **on floor**. For **preventing vibration** to the duct it is recommended to use **flexible connections**.

Technical parameters

Nominal data		
Voltage (nominal)	400	V
Frequency	50	Hz
Phases	3~	
Input power	2,499	W
Input power kW	2.499	kW
Input current	4.49	A
Impeller speed	1,456	rpm
Air flow	max 11,814	m³/h
Temperature of transported air	max 60	°C
Max temperature of transported air, when speed controlled	60	°C

Protection/Classification		
Enclosure class, motor	IP55	
Insulation class	F	

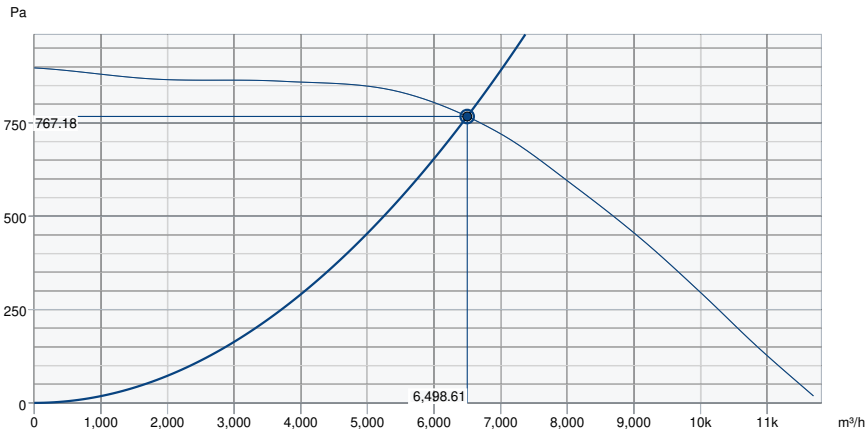
Data according to ErP		
ErP ready	ErP 2018	

Dimensions and weights		
Weight	95.5	kg

Others		
Motor type	AC	

Performance

Performance curve



Hydraulic data

Required air flow	6,498 m³/h
Required static pressure	767 Pa
Working air flow	6,499 m³/h
Working static pressure	767 Pa
Air density	1.204 kg/m³
Power	2,465.2 W
Fan control - RPM	1,457 rpm
Current	4.44 A
SFP	1.366 kW/m³/s
Control voltage	400.0 V
Supply voltage	400 V

Sound power level		63	125	250	500	1k	2k	4k	8k	Total
Inlet	dB(A)	50	69	72	76	77	75	73	64	82
Outlet	dB(A)	51	70	74	78	79	76	74	66	84
Surrounding	dB(A)	30	53	45	44	47	46	40	29	55
Sound pressure level at 3m (20m² Sabine)	dB(A)	-	-	-	-	-	-	-	-	48
Sound pressure level at 3m free field	dB(A)	-	-	-	-	-	-	-	-	34

AMCA Certified Rating statements

- Catalogue Version:

Ecodesign

Product			
Trade name	Systemair		
Product name	MUB 062 560D4 IE3		
Ecodesign			
ErP compliance	2018		
Unit category	NRVU		
Drive	External MSD or VSD		
Unit type	UVU		
Heat recovery type	None		
Temperature ratio (UVU)	Not applicable		
qv nom	1.8053	m ³ /s	
P nom	2.465	kW	
Ps nom	767	Pa	
Fan efficiency	56.2	%	
External Leakage	5	%	
Sound power (LWA)	55	dB(A)	

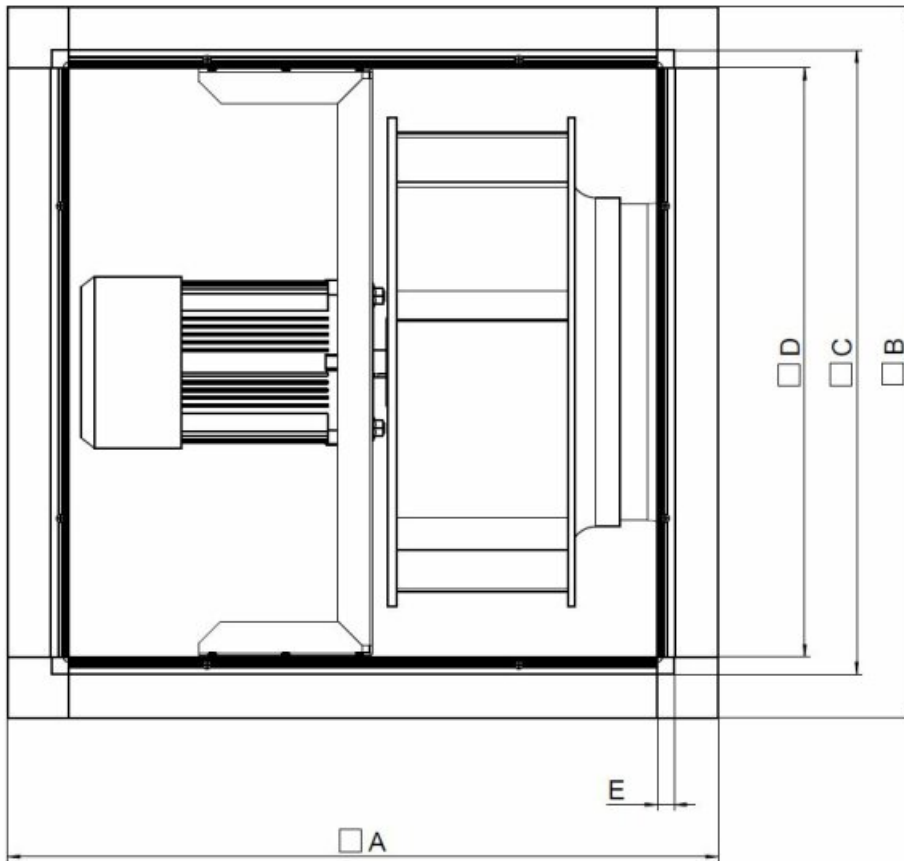
Acoustic

The Level of Casing-Breakout-Noise depends on the quality of shielding the acoustic inlet and outlet noises.

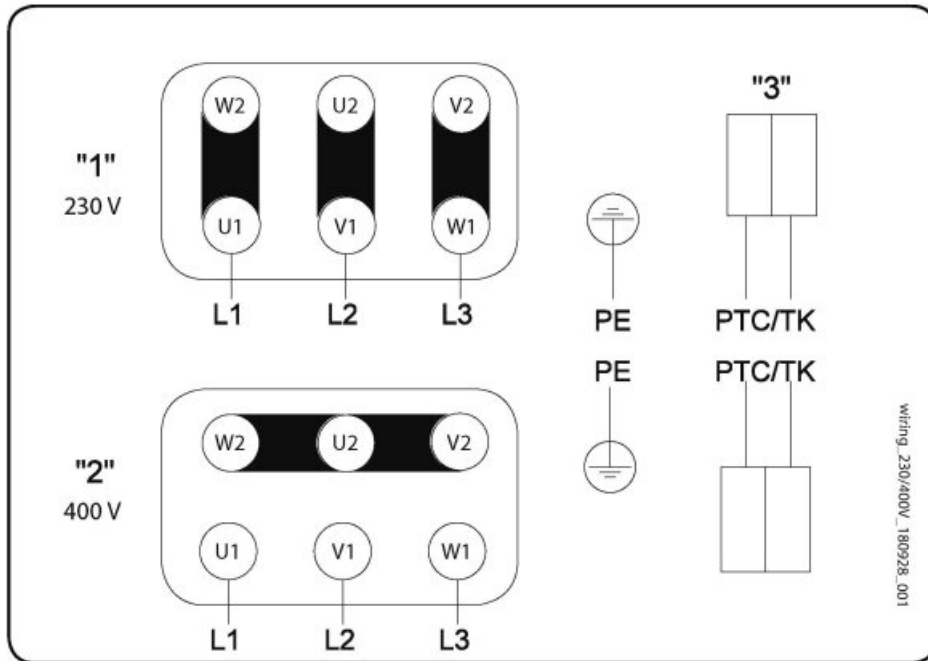
The shown Level of Casing-Breakout-Noise will be reached only in case of 100 % shielding the acoustic inlet and outlet noise and a correspondingly low environment noise.

Dimension

MUB 062	□A	□B	□C	□D	E
560/630	820	820	720	678	21



Wiring



- 1 3 x 230V Delta Connection
 - 2 3 x 400V Star connection
 - 3 PTC / TK
- Changing of direction of rotation by interchanging of two phases

Accessories

- FGV 062/716-716 flex. conn. (4198)
- Frequency converter FRQ5-10A (36230)
- Frequency converter FXDM5AM (31387)
- SD-MUB Vibration pad set (37324)
- UGS 062/630 adapter flex. (4358)
- WSG 062 MUB complete (31486)
- REV-5POL/07-EMV-7,5kW R/Y (34549)
- CCM inlet MUB062 d630 (311783)
- CCM outlet MUB062 d630 (311681)
- CCMI outlet 062 d630 KIT 30mm (239096)
- KKC-DX-L 062 cooling section (277262)
- KKC-W-L 062 cooling section (277270)
- KKD 062-damper-section (333318)
- KKH-HW 062 heater-section (93340)
- REV-5POL/07-EMV-7,5kW B/G (281744)
- Frequency converter FRQ-10A (36228)
- Frequency converter FRQ5S-10A (36234)
- REV-5POL/05-7,5kW R/Y (33979)
- U-EK230E Motor protection (30199)
- WSD 062 (860x860x70) complete (31482)
- Frequency converter FRQS-10A (36232)
- CCM inlet MUB062 d560 (311782)
- CCM outlet MUB062 d560 (311684)
- CCMI outlet 062 d560 KIT 30mm (239095)
- GRU 062-820/100 (276662)
- KKC-DX-R 062 cooling section (277266)
- KKC-W-R 062 cooling section (277274)
- KKF 30 062-filter-section (93312)
- KKS 062 silencer-section (276852)
- SDM Service Door MUB 062 30mm (273935)

Documents

- Installation, Operation and Maintenance instruction_001
- EU DECLARATION OF CONFORMITY_MUB_EN_003.PDF
- COMMISSIONING REPORT_FANS_160628_EN_001.PDF