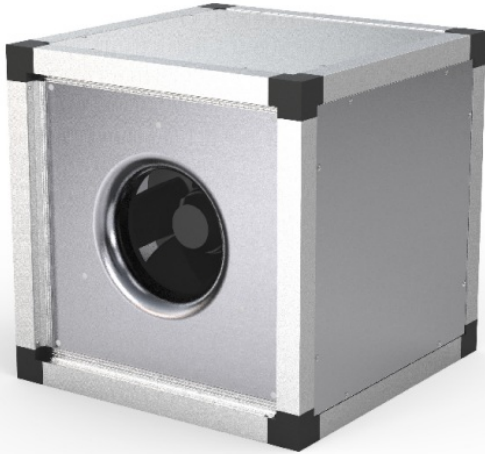


MUB Insulated duct fans

Efficient fans for supply or exhaust ventilation systems

- Acoustic and thermal insulation 30 mm
- Flexible airflow direction due to removable panels
- Indoor and outdoor installation
- Modular system of accessories
- Available with AC and EC motors for 50 and 60Hz

[Find more details in our online catalogue](#)



Flexibility

The MUB fans are intended to use for **supply** or **extract** air, designed to be installed in **any position**.

The MUB fans are designed for straight through airflow but can easily be rebuilt due to **removable panels** for 90° air discharge. The construction of the casing and thermal insulation permits **outdoor** and **indoor** use.

Modularity

Thanks to variety types of **accessories** as flexible connections, dampers, roof, base frame, etc. it is easy to design any ventilation system according to your demand.

By using special **modular systems**, where some accessories as **heaters, coolers, silencers, filters** or **carbon filters** are built-in in **the same type of casing**, you can even design a simple supply or exhaust **air handling unit**.

Performance

High performance impeller together with **high efficient** motors are designed to ensure high-level performance to **minimize power consumption** and **maximize efficiency**.

Noise

The **casing** of **MUB** fans have a perfect **acoustic** and **thermal** insulation capacity.

Certifications



Ecodesign (ErP) compliant

Features

Construction

The casing consists of a corrosion-resistant **aluminium frame** with **fibreglass reinforced plastic corners of PA6**; highly shock-resistant. **Panels** made of **double skin galvanized** sheet steel with **30 mm acoustic** and **thermal rockwool insulation**.

The MUB fans are designed for straight through airflow but can easily be rebuilt due to **removable panels** for 90° air discharge.

Impeller

The MUB fans use **radial** impellers with **backward curved blades**. These are made out of high-performance composite material or aluminum, dynamically **balanced** and paired with corresponding **AC** or **EC external rotor motors**.

Motor

Depending on the type, MUB fans are equipped with **AC** or **EC** external rotor motor. Motors are suitable for **50Hz** and **60Hz**.

Motor protection

Depending on the type, **AC** motors have an **integrated** thermal protection with manual (electrical) reset, prewired integral **thermocontact TK** or **thermistor PTC** with leads to a **motor protection device**.

Fans with **EC** motors have an **integrated** electronic **thermal protection** including **locked-rotor protection** and **soft-start**.

Control

EC motors with **built-in potentiometer** to adjust working point can be also controlled by external **signal 0-10V**.

EC motors, depending on the type are also equipped with **ModBus** communication **or alarm signal**.

AC motors can be controlled by **5-step, stepless** speed regulator, **D/Y** switch or **frequency converter**.

Installation

The MUB fans can be installed in any position **indoor** and together **with weather protection roof** also **outdoor**. With mounted **base frame** the MUB fans can stand **on floor**. For **preventing vibration** to the duct it is recommended to use **flexible connections**.

Technical parameters

Nominal data

Voltage (nominal)	230	V
Frequency	50	Hz
Phases	1~	
Input power	267	W
Input power kW	0.267	kW
Input current	1.18	A
Impeller speed	1,308	rpm
Air flow	max 3,030	m³/h
Capacitance of capacitor	6	µF
Temperature of transported air	max 60	°C
Max temperature of transported air, when speed controlled	60	°C

Protection/Classification

Enclosure class, motor	IP44
Insulation class	F

Data according to ErP

ErP ready	ErP 2018
-----------	----------

Dimensions and weights

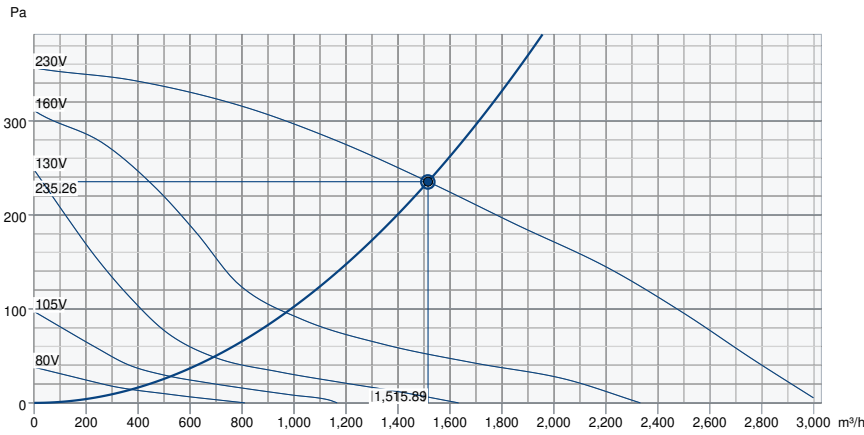
Weight	31	kg
--------	----	----

Others

Motor type	AC
------------	----

Performance

Performance curve



Hydraulic data

Required air flow	1,515 m³/h
Required static pressure	235 Pa
Working air flow	1,516 m³/h
Working static pressure	235 Pa
Air density	1.204 kg/m³
Power	263.6 W
Fan control - RPM	1,312 rpm
Current	1.17 A
SFP	0.626 kW/m³/s
Control voltage	230.0 V
Supply voltage	230 V

Sound power level		63	125	250	500	1k	2k	4k	8k	Total
Inlet	dB(A)	34	58	55	60	64	60	56	47	68
Outlet	dB(A)	35	59	56	62	66	61	58	48	69
Surrounding	dB(A)	12	39	30	29	34	33	24	11	41
Sound pressure level at 3m (20m² Sabine)	dB(A)	-	-	-	-	-	-	-	-	34
Sound pressure level at 3m free field	dB(A)	-	-	-	-	-	-	-	-	20

AMCA Certified Rating statements

- Catalogue Version:

Ecodesign

Product			
Trade name	Systemair		
Product name	MUB 025 355EV		
Ecodesign			
ErP compliance	2018		
Unit category	NRVU		
Drive	External MSD or VSD		
Unit type	UVU		
Heat recovery type	None		
Temperature ratio (UVU)	Not applicable		
qv nom	0.4211	m ³ /s	
P nom	0.264	kW	
Ps nom	235	Pa	
Fan efficiency	37.5	%	
External Leakage	5	%	
Sound power (LWA)	41	dB(A)	

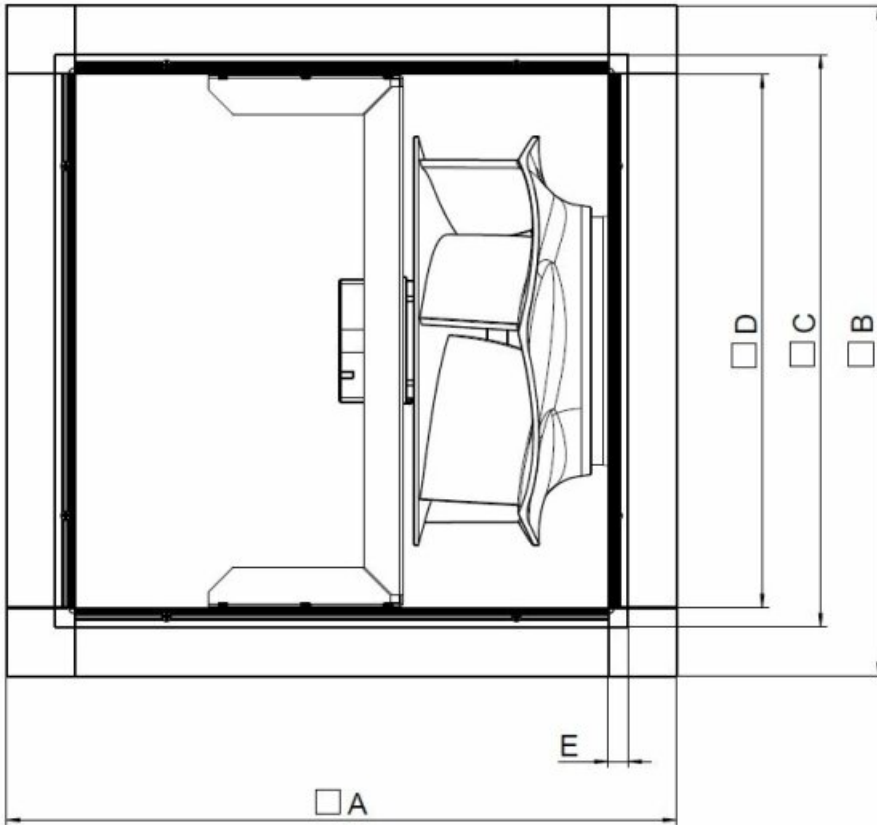
Acoustic

The Level of Casing-Breakout-Noise depends on the quality of shielding the acoustic inlet and outlet noises.

The shown Level of Casing-Breakout-Noise will be reached only in case of 100 % shielding the acoustic inlet and outlet noise and a correspondingly low environment noise.

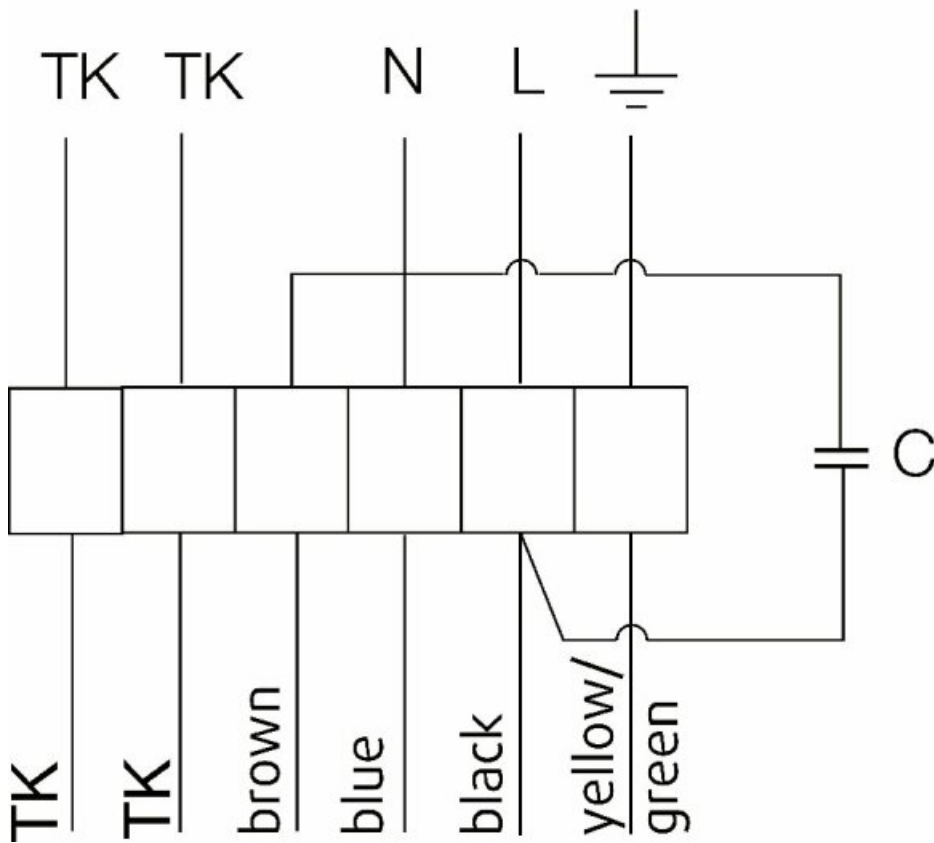
Dimension

MUB 025	□A	□B	□C	□D	E
315/355	520	520	420	378	21



Wiring

230V 1~



Accessories

- FGV 025/416-416 flex. conn. (4196)
- Motor protect. switch S-ET 10 (161199)
- REU 1.5 Speed control (5004)
- RTRE 1,5 Speed control (5008)
- UGS 025/355 adapter flex. (4356)
- Frequency converter FRQSE-6A (37419)
- CCM outlet MUB025 d315 (312535)
- CCMI outlet 025 d355 KIT 30mm (239092)
- KKC-DX-L 025 cooling section (277260)
- KKC-W-L 025 cooling section (277268)
- KKD 025-damper-section (333316)
- KKH-HW 025 heater-section (93334)
- SDM Service Door MUB 025 30mm (273933)
- Frequency converter FRQ5SE-6A (37421)
- REE 2 Speed control (5316)
- REV-5POL/05-7,5kW R/Y (33979)
- SD-MUB Vibration pad set (37324)
- WSD 025 (560x560x70) complete (31480)
- CCM inlet MUB025 d315 (312562)
- CCMI outlet 025 d315 KIT 30mm (239091)
- GRU 025-520/100 (276660)
- KKC-DX-R 025 cooling section (277264)
- KKC-W-R 025 cooling section (277272)
- KKF 30 025-filter-section (93310)
- KKS 025 silencer-section (276850)

Documents

- Installation, Operation and Maintenance instruction_001
- EU DECLARATION OF CONFORMITY_MUB_EN_003.PDF
- COMMISSIONING REPORT_FANS_160628_EN_001.PDF