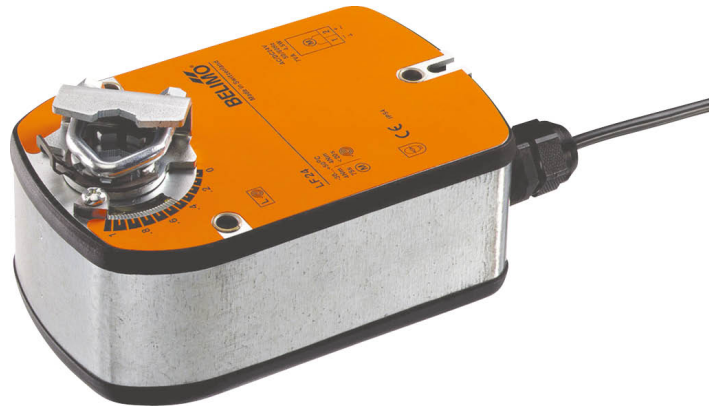


Rotary actuator fail-safe for adjusting dampers in technical building installations

- Air damper size up to approx. 0.8 m²
- Torque motor 4 Nm
- Nominal voltage AC/DC 24 V
- Control Open/close


Technical data

| | | |
|------------------------|--|--|
| Electrical data | Nominal voltage | AC/DC 24 V |
| | Nominal voltage frequency | 50/60 Hz |
| | Nominal voltage range | AC 19.2...28.8 V / DC 21.6...28.8 V |
| | Power consumption in operation | 5 W |
| | Power consumption in rest position | 2.5 W |
| | Power consumption for wire sizing | 7 VA |
| | Power consumption for wire sizing note | Imax 5.8 A @ 5 ms |
| | Connection supply / control | Cable 1 m, 2 x 0.75 mm ² |
| | Parallel operation | Yes (note the performance data) |
| Functional data | Torque motor | 4 Nm |
| | Torque fail-safe | 4 Nm |
| | Direction of motion motor | selectable by mounting L/R |
| | Direction of motion fail-safe | selectable by mounting L/R |
| | Manual override | No |
| | Angle of rotation | Max. 95° |
| | Angle of rotation note | Adjustable 37...100% with integrated mechanical limitation |
| | Running time motor | 40...75 s / 90° |
| | Running time fail-safe | <20 s / 90° <20 s @ -20...50°C / <60 s @ -30°C |
| | Sound power level, motor | 50 dB(A) |
| | Mechanical interface | Universal shaft clamp 8...16 mm |
| | Position indication | Mechanical |
| | Service life | Min. 60'000 fail-safe positions |
| Safety data | Protection class IEC/EN | III, Safety Extra-Low Voltage (SELV) |
| | Degree of protection IEC/EN | IP54 |
| | EMC | CE according to 2014/30/EU |
| | Low voltage directive | CE according to 2014/35/EU |
| | Certification IEC/EN | IEC/EN 60730-1 and IEC/EN 60730-2-14 |
| | Mode of operation | Type 1.B |
| | Rated impulse voltage supply / control | 0.8 kV |
| | Pollution degree | 3 |
| | Ambient temperature | -30...50°C |
| | Storage temperature | -40...80°C |
| | Ambient humidity | Max. 95% RH, non-condensing |
| | Servicing | maintenance-free |
| | Weight | Weight |

Safety notes


- The device must not be used outside the specified field of application, especially not in aircraft or in any other airborne means of transport.
- Outdoor application: only possible in case that no (sea) water, snow, ice, insolation or aggressive gases interfere directly with the device and that it is ensured that the ambient conditions remain within the thresholds according to the data sheet at any time.
- Only authorised specialists may carry out installation. All applicable legal or institutional installation regulations must be complied during installation.
- The device may only be opened at the manufacturer's site. It does not contain any parts that can be replaced or repaired by the user.
- Cables must not be removed from the device.
- To calculate the torque required, the specifications supplied by the damper manufacturers concerning the cross-section, the design, the installation situation and the ventilation conditions must be observed.
- The device contains electrical and electronic components and must not be disposed of as household refuse. All locally valid regulations and requirements must be observed.

Product features

| | |
|-------------------------------------|---|
| Mode of operation | The actuator moves the damper to the operating position at the same time as tensioning the return spring. The damper is turned back to the safety position by spring energy when the supply voltage is interrupted. |
| Simple direct mounting | Simple direct mounting on the damper shaft with a universal shaft clamp, supplied with an anti-rotation device to prevent the actuator from rotating. |
| Adjustable angle of rotation | Adjustable angle of rotation with mechanical end stops. |
| High functional reliability | The actuator is overload protected, requires no limit switches and automatically stops when the end stop is reached. |

Accessories

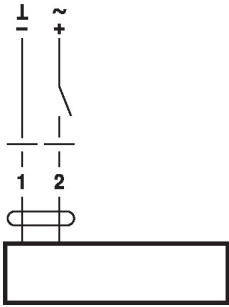
| Electrical accessories | Description | Type |
|-------------------------------|---|-------------|
| | Feedback potentiometer 1 k Ω | P1000A-F |
| | Feedback potentiometer 200 Ω | P200A-F |
| | Auxiliary switch 2 x SPDT | S2A-F |
| Mechanical accessories | Description | Type |
| | Shaft extension 170 mm \varnothing 10 mm for damper shaft \varnothing 6...16 mm | AV6-20 |
| | Shaft clamp reversible, clamping range \varnothing 16...20 mm | K6-1 |
| | Ball joint suitable for damper crank arm KH8 / KH10 | KG10A |
| | Ball joint suitable for damper crank arm KH8 | KG8 |
| | Actuator arm, clamping range \varnothing 8...16 mm, Slot width 8.2 mm | KH-LF |
| | Damper crank arm Slot width 8.2 mm, clamping range \varnothing 10...18 mm | KH8 |
| | Anti-rotation mechanism 180 mm, Multipack 20 pcs. | Z-ARS180L |
| | Angle of rotation limiter, with end stop | ZDB-LF |
| | Form fit adapter 8x8 mm | ZF8-LF |
| | Mounting kit for linkage operation for flat installation | ZG-LF1 |
| | Mounting kit for linkage operation for side installation Slot width 6.2 mm | ZG-LF3 |

Electrical installation


- Supply from isolating transformer.**
- Parallel connection of other actuators possible. Observe the performance data.**

Wiring diagrams

AC/DC 24 V, open/close

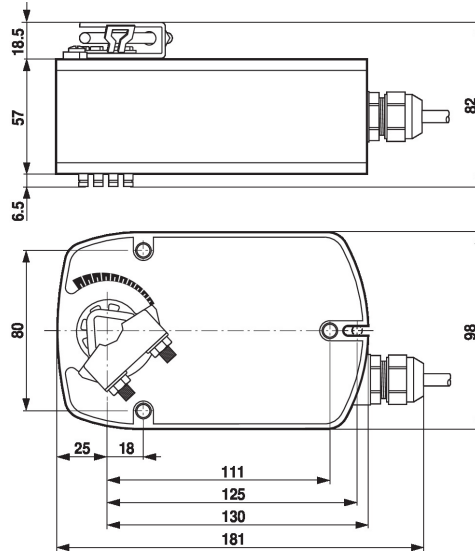


Cable colours:

- 1 = black
- 2 = red

Dimensions

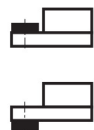
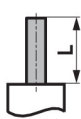
Dimensional drawings



Clamping range

| | |
|--------|--------|
| | |
| 8...16 | 8...16 |

Shaft length



Min. 84

Min. 20