

KVRI 6035 E4 31

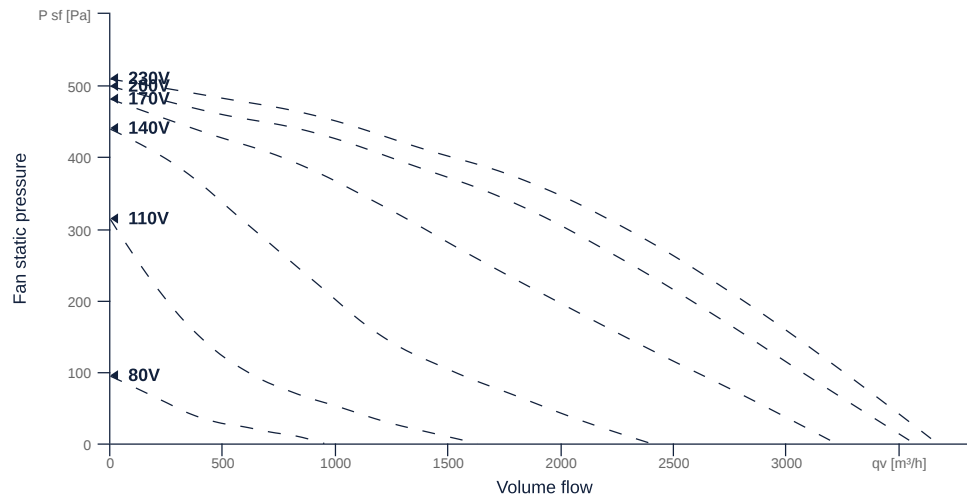
131407

- Backward curved radial impeller
- Swing out fan unit
- Galvanized sheet steel housing, double-walled, 25 mm mineral wool
- Robust single phase AC motor, steplessly controllable
- Conveyed medium temperature up to 65 °C in continuous operation



MAP

Name	Value	Unit
Volume flow	0	m³/h
Pressure	0	Pa



zur Produktseite

GENERAL DATA

Name	Value	Unit	Formula symbol
ERP conformity	Yes		
Certifications	CE, UKCA		
Duct size	600x350		WxH _{duct}
Pipe connection size (DN)	-		DN
Rated voltage (entire device)	230	V	U _{rated}
Phases (entire device)	1~		phase
Electrical protection (entire device)	6 A		fuse
Housing material	Galvanized steel		mat _{casing}
Impeller material	Plastic		mat _{impeller}
IP-protection class (entire device)	IPX4		IP _{compl}
IP-Protection class (terminal box)	IP44		IP _{ebox}
Weight	35.55	kg	m
Nominal air flow rate, nominal point m ³ /h	2577.6	m ³ /h	q _{v,nom}
Nominal external pressure, static	246	Pa	p _{s,nom}
Fan type	Radial		Fan _{type}
Category / Installation situation	A		cat

ERP DATA (LOT 6)

Name	Value	Unit	Formula symbol
Nominal air flow rate, nominal point m ³ /s	0.72	m ³ /s	q _{v,nom}
Actual electrical input power, nominal point	0.44	kW	P _{e,nom}
Face velocity, nominal point	3.41	m/s	v _{nom}
Nominal external pressure, static	246	Pa	p _{s,nom}
supply air fan static efficiency, nominal point	47.2	%	η _{es,SUP}
Enclosure sound level, nominal point	64	dB(A)	L _{WA2}
Rating	Product is compliant 2018		



zur Produktseite

MAXIMAL DATA

Name	Value	Unit	Formula symbol
Max. power consumption (device)	440	W	$P_{ed, max}$
Max. operating current (device)	2.53	A	$I_{ed, max}$
Max. speed	1440	1/min	n_{max}
Max. stat. efficiency	41.4	%	η_{es}
Max. fan efficiency	41.8	%	η_e
Max. flowrate	3670	m ³ /h	q_v, max
Max. stat pressure	510	Pa	$p_{sf, max}$
Max. medium temperature	65	°C	T_m, max
Max. environment temperature	65	°C	$T_{amb, max}$
Min. environment temperature	-25	°C	$T_{amb, min}$
Min. voltage	80	V	U_{min}

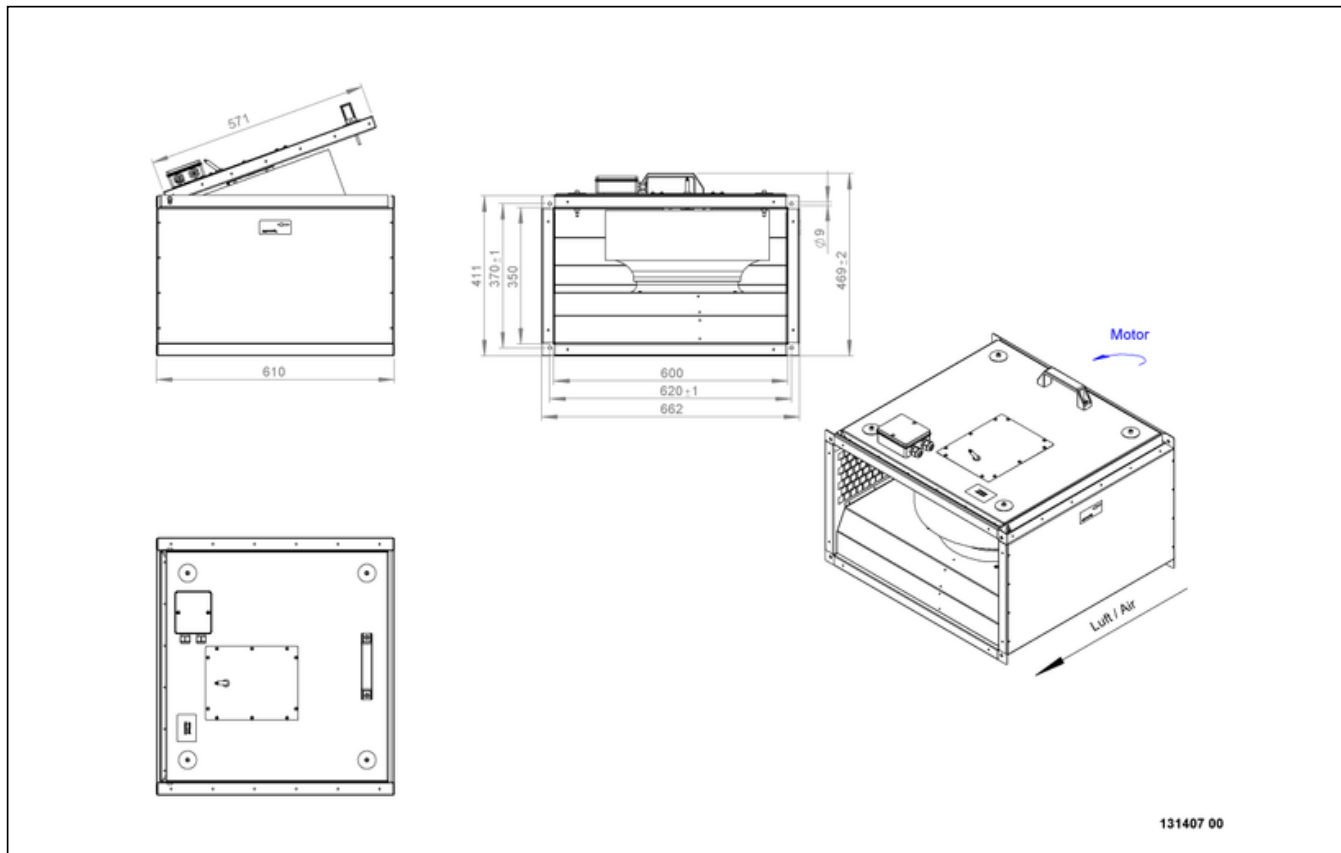


zur Produktseite

KVRI 6035 E4 31

131407

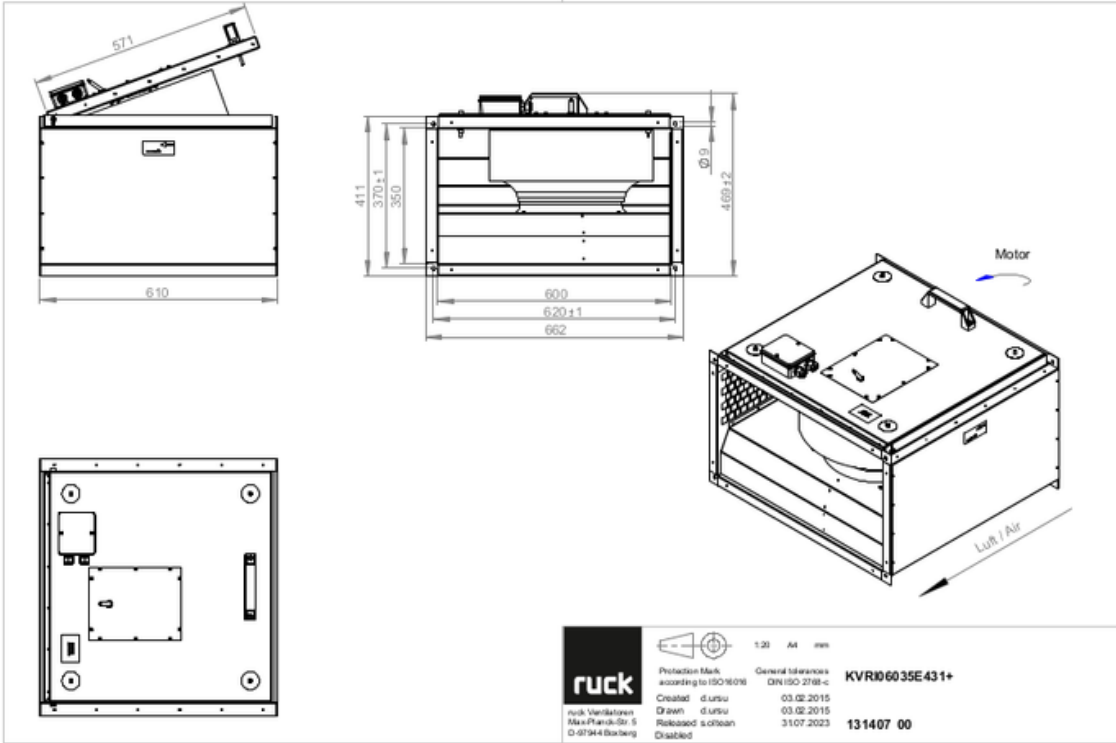
SCHALTPLÄNE / MASSZEICHNUNGEN



zur Produktseite

KVRI 6035 E4 31

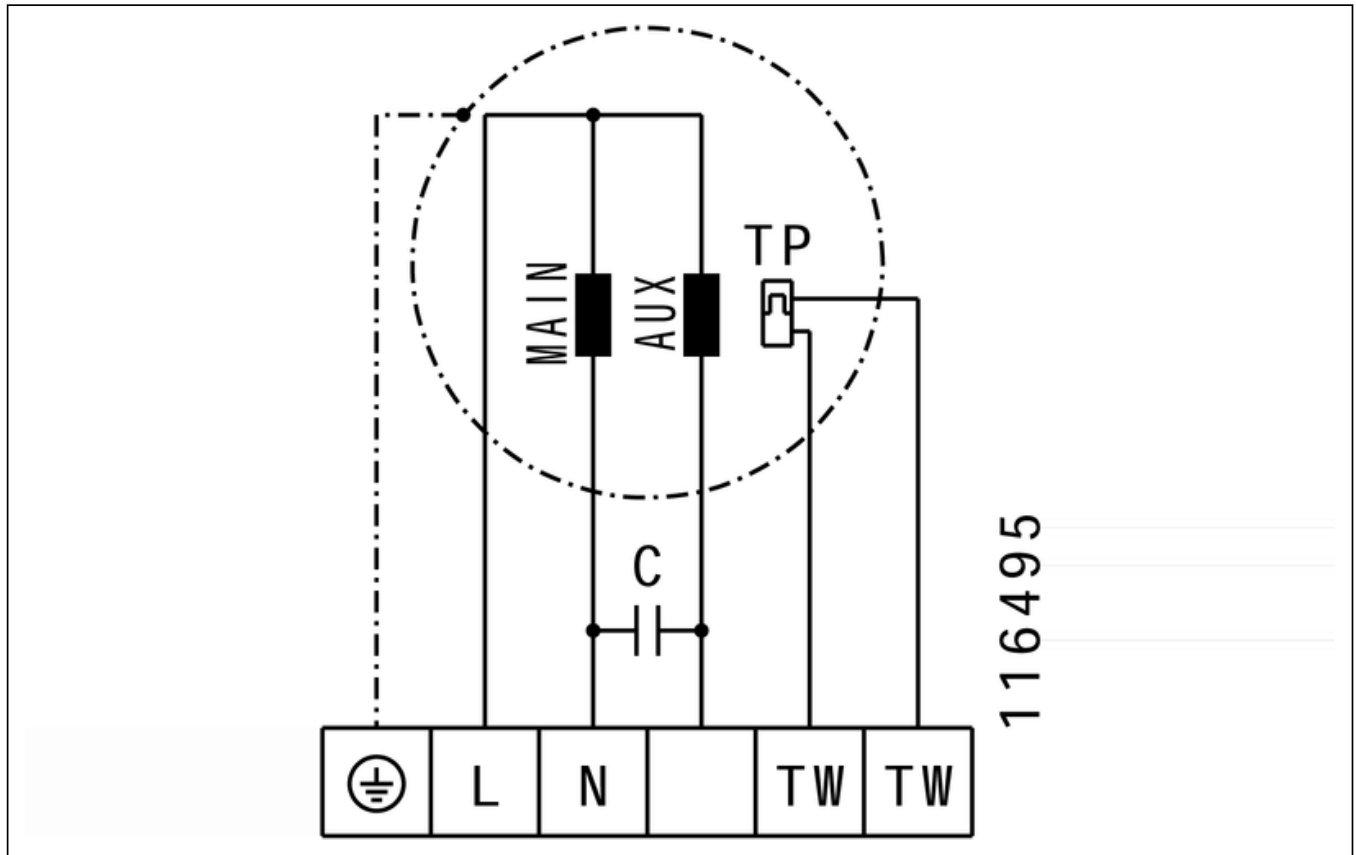
131407



zur Produktseite

KVRI 6035 E4 31

131407



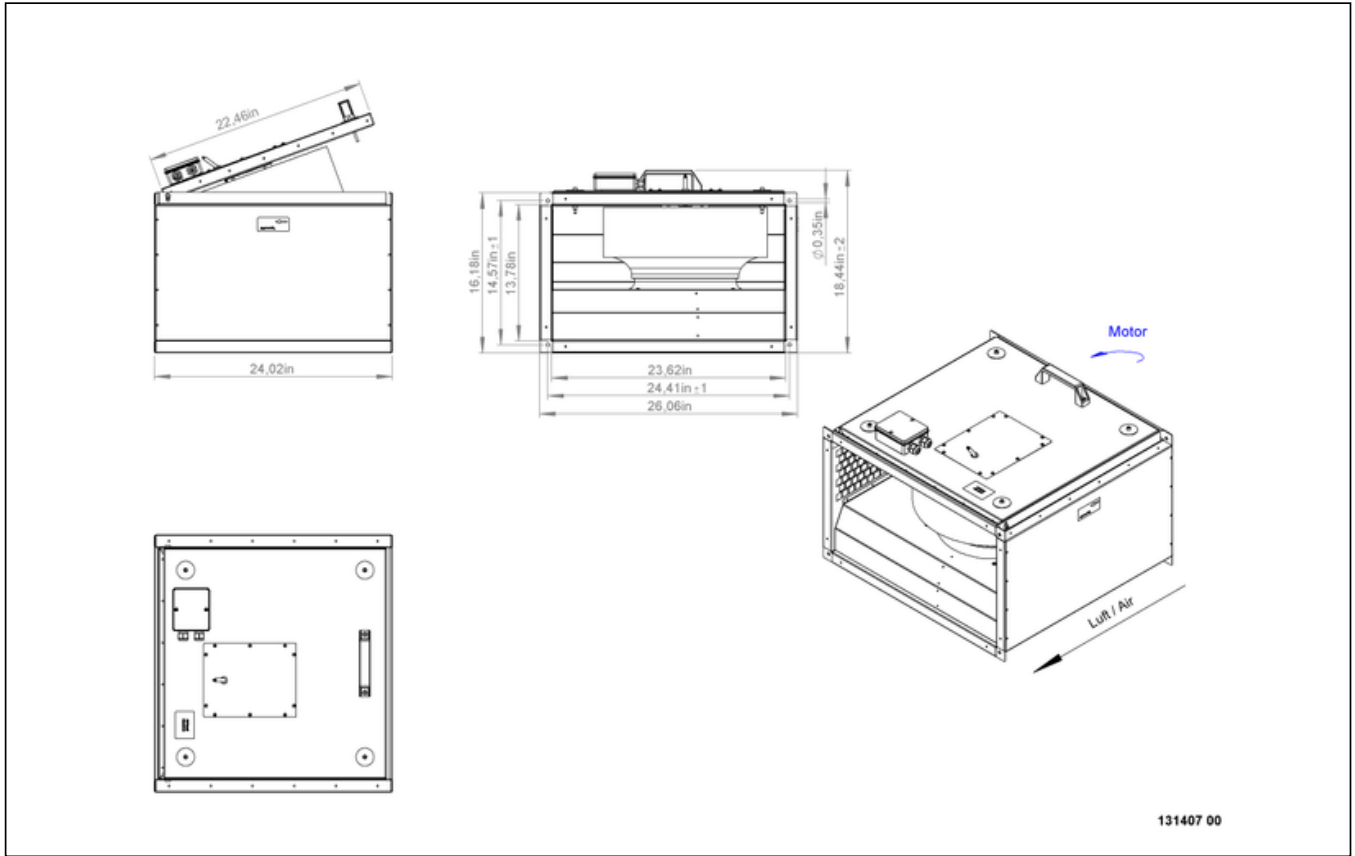
116495



zur Produktseite

KVRI 6035 E4 31

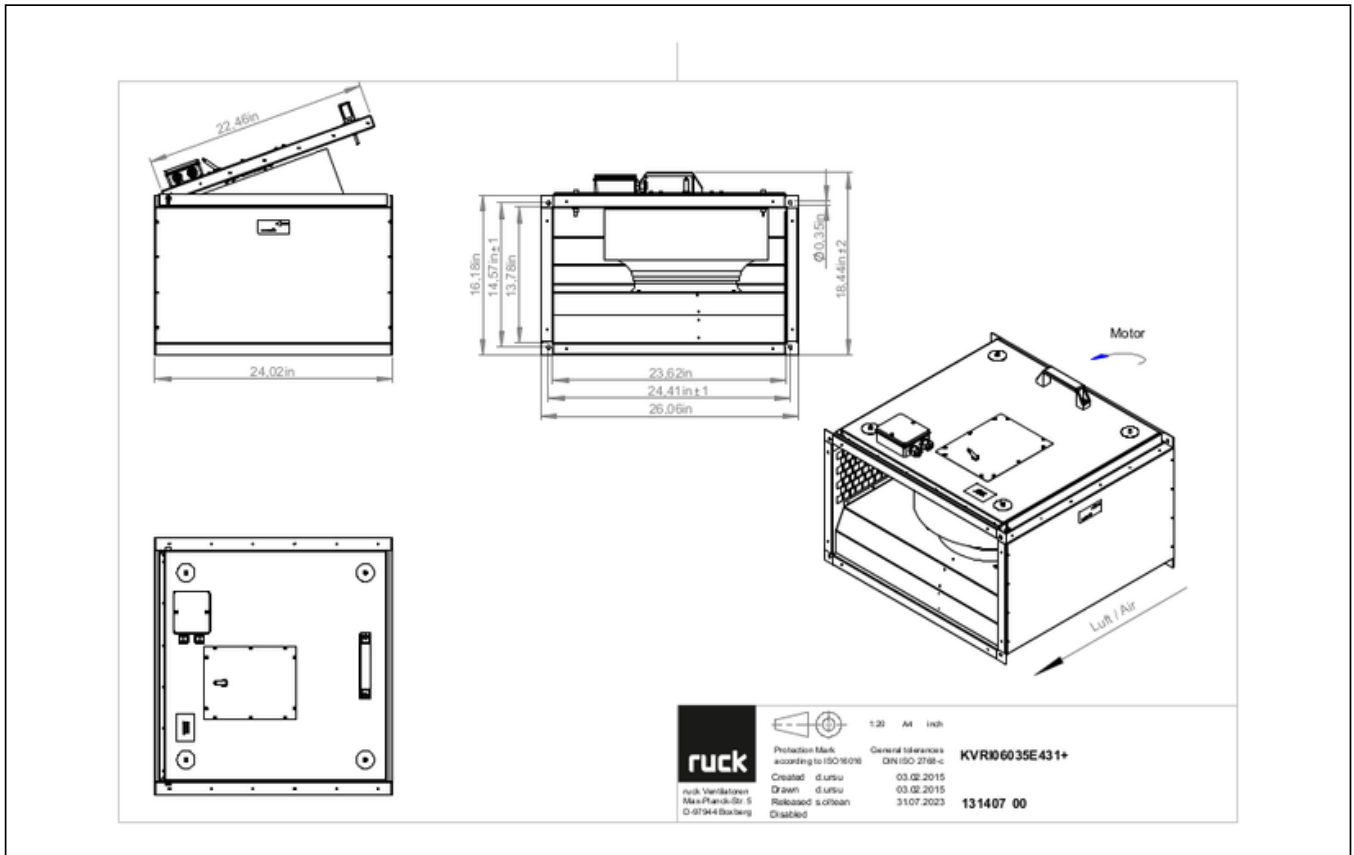
131407



zur Produktseite

KVRI 6035 E4 31

131407



MECHANICAL ACCESSORIES

VS 6035 | 102808



- Duct connector, flexible
- Standard profile flange P20
- Galvanized steel sheet, plastic band (PVC)
- Temperature resistant up to 70 °C

VKK 6035 | 103892



- Automatic shutter
- Plastic, weather resistant
- Temperature resistant up to 70 °C



KVRI 6035 E4 31

131407

ELECTRICAL ACCESSORIES

GS 01 | 102787



- Isolator switch
- $U_{max} = 400 \text{ V}$, 50/60 Hz
- Switching capacity 400 V 3~ = 5,5 kW
- $I_{max} = 16 \text{ A}$

TEM 035 | 103502



- 5-step transformer
- 230 V, 50/60 Hz, 3,5 A
- Output voltage: 230-190-170-140-110-80-0 V
- Protection class IP 54

TES 035 02 | 146195



- 5-step transformer
- 230 V, 50/60 Hz, 3,5 A
- Without housing, control cabinet installation
- Protection class IP 20



zur Produktseite