

KVRI 10050 D4 30

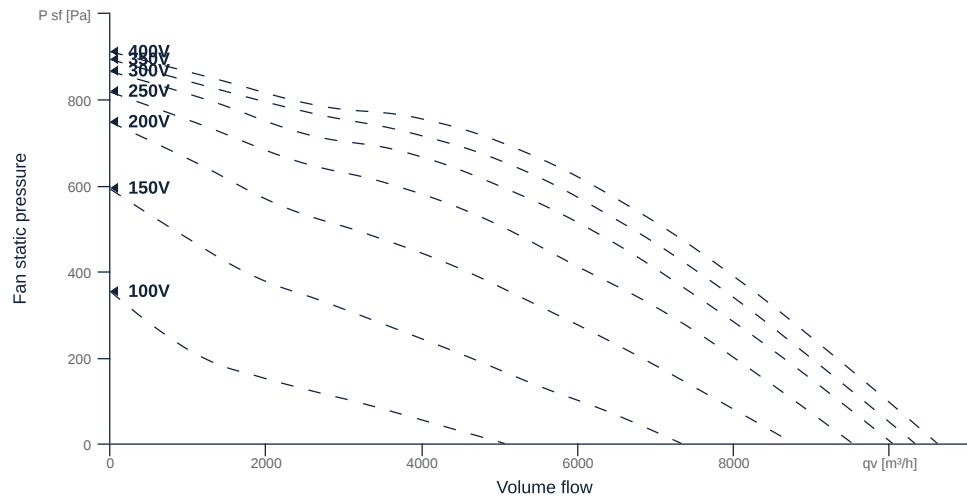
131422

- Backward curved radial impeller
- Swing out fan unit
- Galvanized sheet steel housing, double-walled, 25 mm mineral wool
- Efficient IE3 motor, frequency controllable
- Conveyed medium temperature up to 60 °C in continuous operation



MAP

Name	Value	Unit
Volume flow	0	m³/h
Pressure	0	Pa



zur Produktseite

GENERAL DATA

Name	Value	Unit	Formula symbol
ERP conformity	Yes		
Certifications	CE, UKCA		
Rated voltage (entire device)	400	V	U _{rated}
Electrical protection (entire device)	6 A		fuse
Housing material	Steel		matcasing
IP-protection class (entire device)	IPX4		IP _{compl}
IP-Protection class (terminal box)	IP44		IP _{ebox}
Weight	93.5	kg	m
Nominal air flow rate, nominal point m ³ /h	7758	m ³ /h	q _{v,nom}
Nominal external pressure, static	418	Pa	p _{s,nom}
Category / Installation situation	A		cat

ERP DATA (LOT 6)

Name	Value	Unit	Formula symbol
Nominal air flow rate, nominal point m ³ /s	2.16	m ³ /s	q _{v,nom}
Actual electrical input power, nominal point	1.85	kW	P _{e,nom}
Face velocity, nominal point	4.31	m/s	v _{nom}
Nominal external pressure, static	418	Pa	p _{s,nom}
supply air fan static efficiency, nominal point	54	%	η _{es,SUP}
Enclosure sound level, nominal point	74	dB(A)	L _{WA2}
Rating	Product is compliant 2018		

MAXIMAL DATA

Name	Value	Unit	Formula symbol
Max. power consumption (device)	1862	W	P _{ed, max}
Max. operating current (device)	4.55	A	I _{ed, max}
Max. speed	1450	1/min	n _{max}
Max. stat. efficiency	52.6	%	η _{es}
Max. fan efficiency	53.1	%	η _e
Max. flowrate	10610	m ³ /h	q _{v, max}
Max. stat pressure	910	Pa	p _{sf, max}
Max. medium temperature	60	°C	T _{m, max}
Max. environment temperature	60	°C	T _{amb, max}
Min. environment temperature	-30	°C	T _{amb, min}
Min. voltage	100	V	U _{min}



zur Produktseite

KVRI 10050 D4 30

131422

MOTOR DATA

Name	Value	Unit	Formula symbol
Rated frequency (device)	50		f
Is pole-changeable	No		polexch

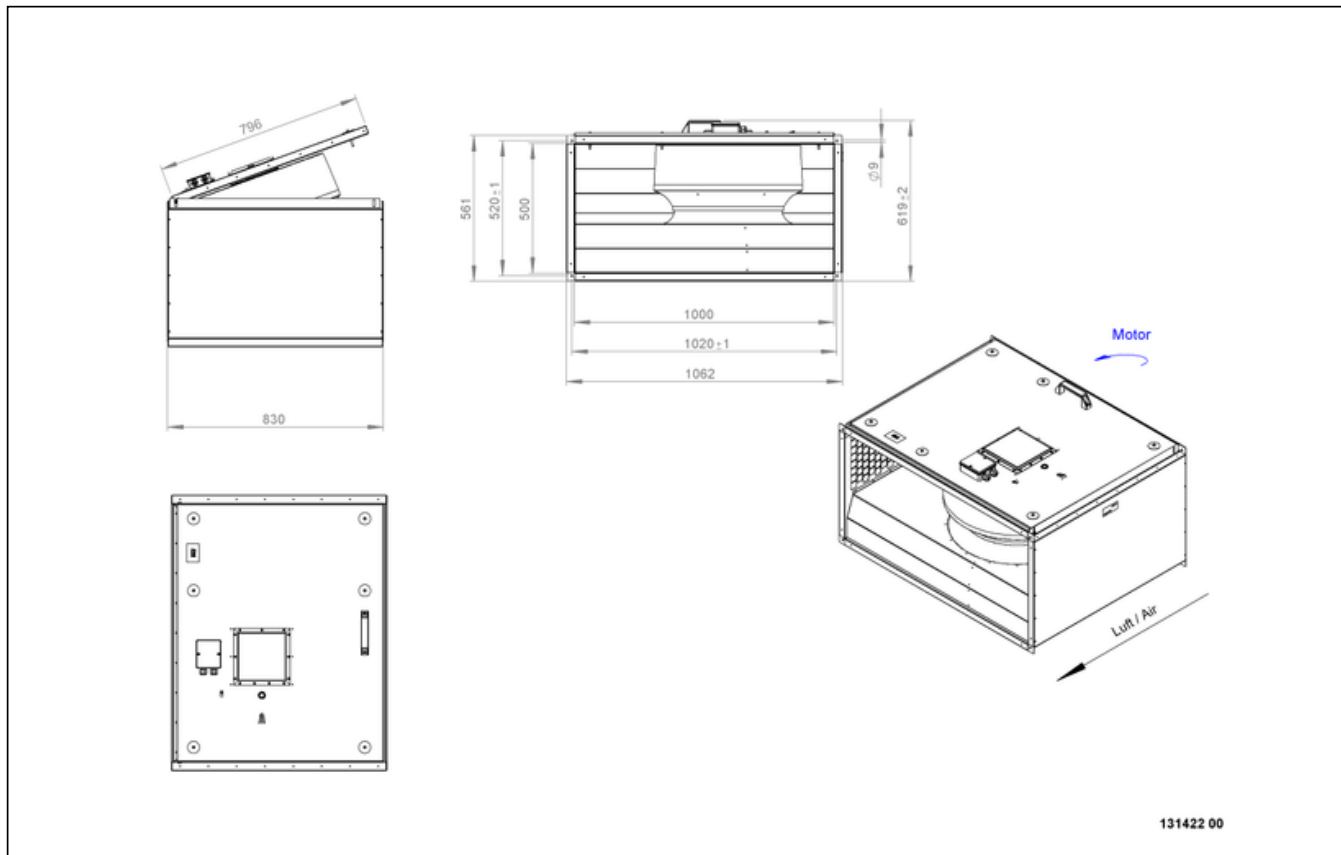


zur Produktseite

KVRI 10050 D4 30

131422

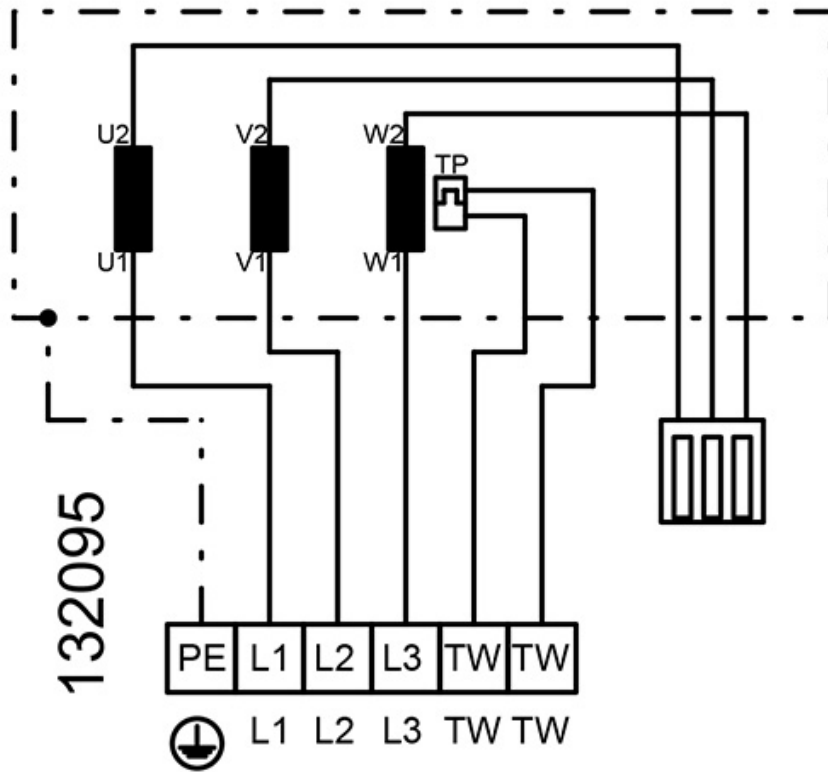
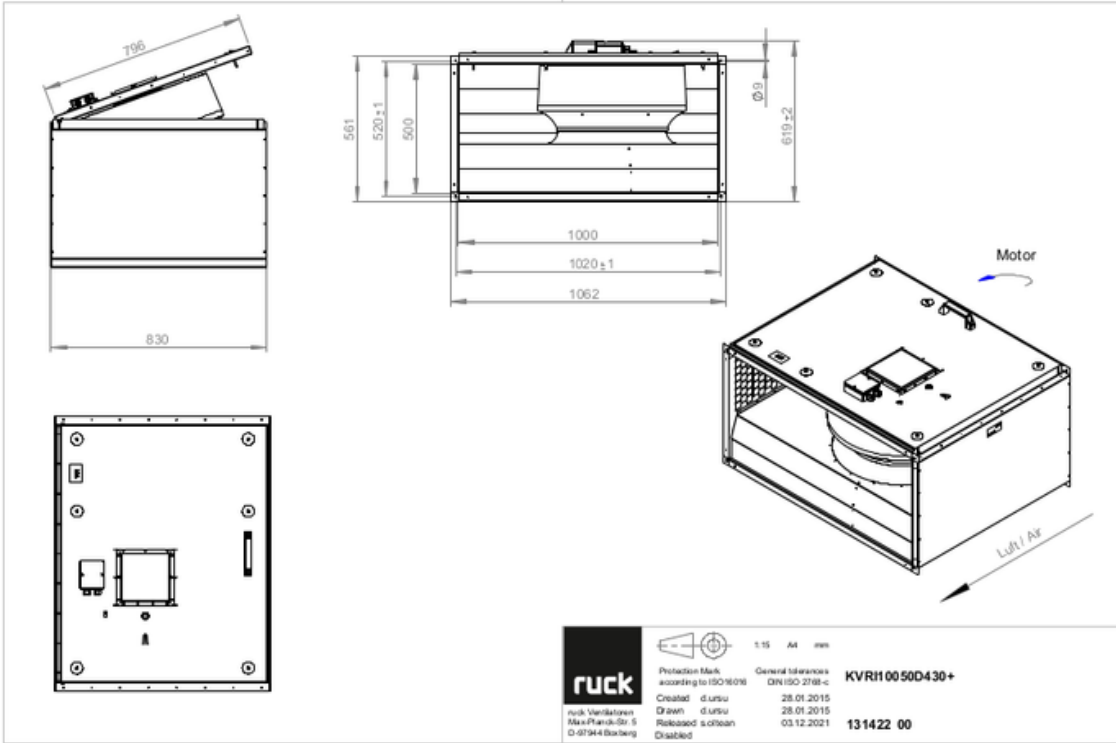
SCHALTPLÄNE / MASSZEICHNUNGEN



zur Produktseite

KVRI 10050 D4 30

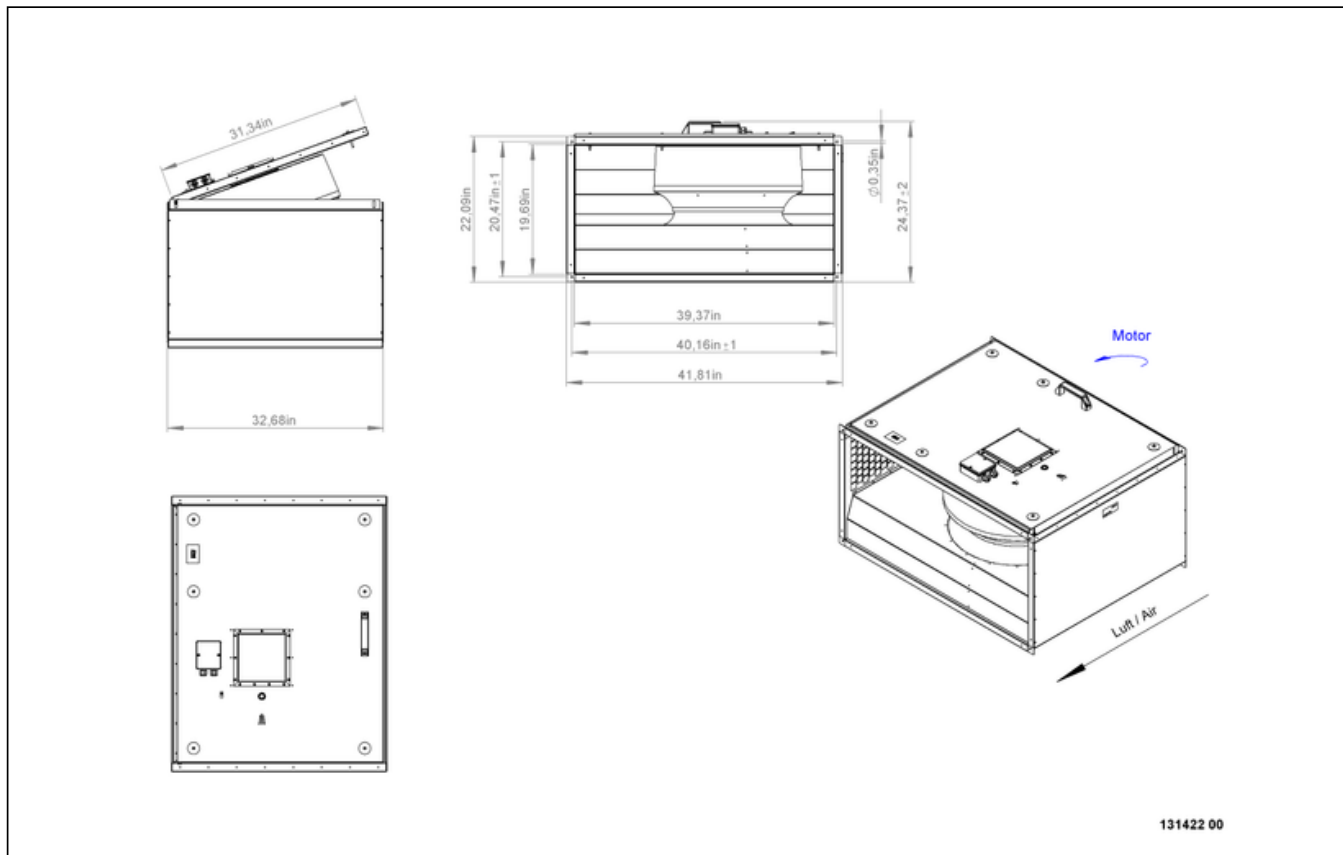
131422



zur Produktseite

KVRI 10050 D4 30

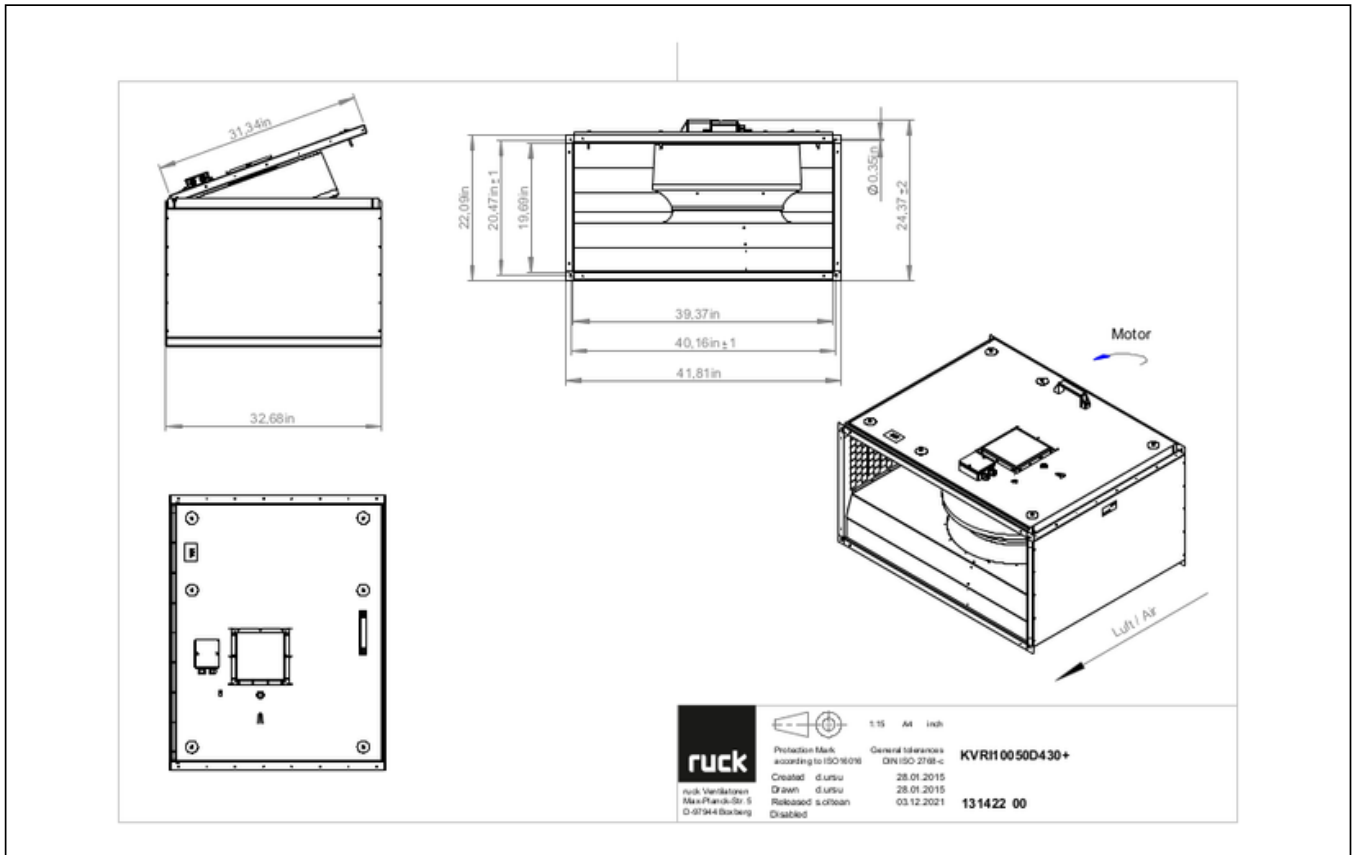
131422



zur Produktseite

KVRI 10050 D4 30

131422



MECHANICAL ACCESSORIES

VKK 10050 | 103946



- Automatic shutter
- Plastic, weather resistant
- Temperature resistant up to 70 °C

VS 10050 | 103956



- Duct connector, flexible
- Standard profile flange P20
- Galvanized steel sheet, plastic band (PVC)
- Temperature resistant up to 70 °C

zur Produktseite



KVRI 10050 D4 30

131422

ELECTRICAL ACCESSORIES

GS 03 | 107633



- Device switch
- $U_{max} = 400 \text{ V}$, $I_{max} = 25 \text{ A}$
- Switching capacity $400 \text{ V } 3\text{-} = 5,5 \text{ kW}$
- Protection class IP 55

TDM 060 | 111557



- 5-step transformer
- $400 \text{ V } 3\text{-}$, 50/60 Hz

TDS 060 | 113667



- 7-step transformer
- $400 \text{ V } 3\text{-}$, 50/60 Hz



zur Produktseite