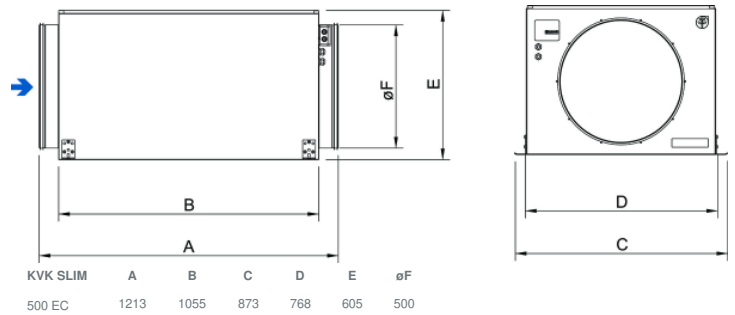




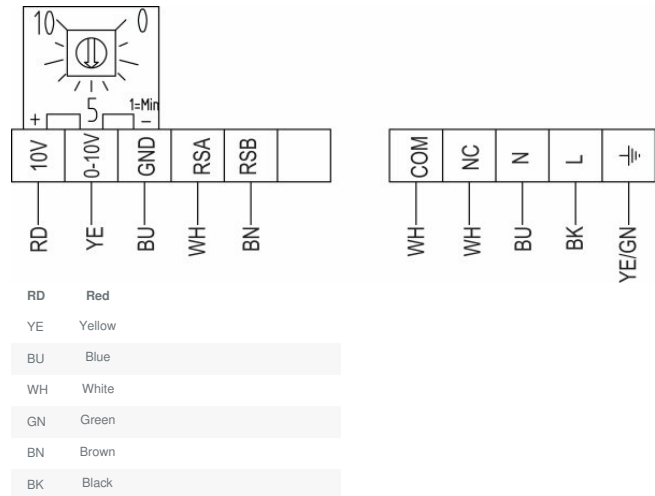
## Technical parameters

Nominal data	
Voltage (nominal)	230 V
Frequency	50; 60 Hz
Phases	1~
Input power	779 W
Input current	3.49 A
Impeller speed	1,464 rpm
Air flow	max 6,268 m <sup>3</sup> /h
Temperature of transported air	max 60 °C
Max temperature of transported air, when speed controlled	60 °C
Sound data	
Sound pressure level at 3m (20m <sup>2</sup> Sabin)	62 dB(A)
Protection/Classification	
Enclosure class, motor	IP54
Insulation class	F
Data according to ErP	
ErP ready	ErP 2018
Dimensions and weights	
Duct dimension; Circular, inlet	500 mm
Duct dimension; Circular, outlet	500 mm
Weight	53.1 kg
Others	
Duct connection type	Circular
Motor type	EC

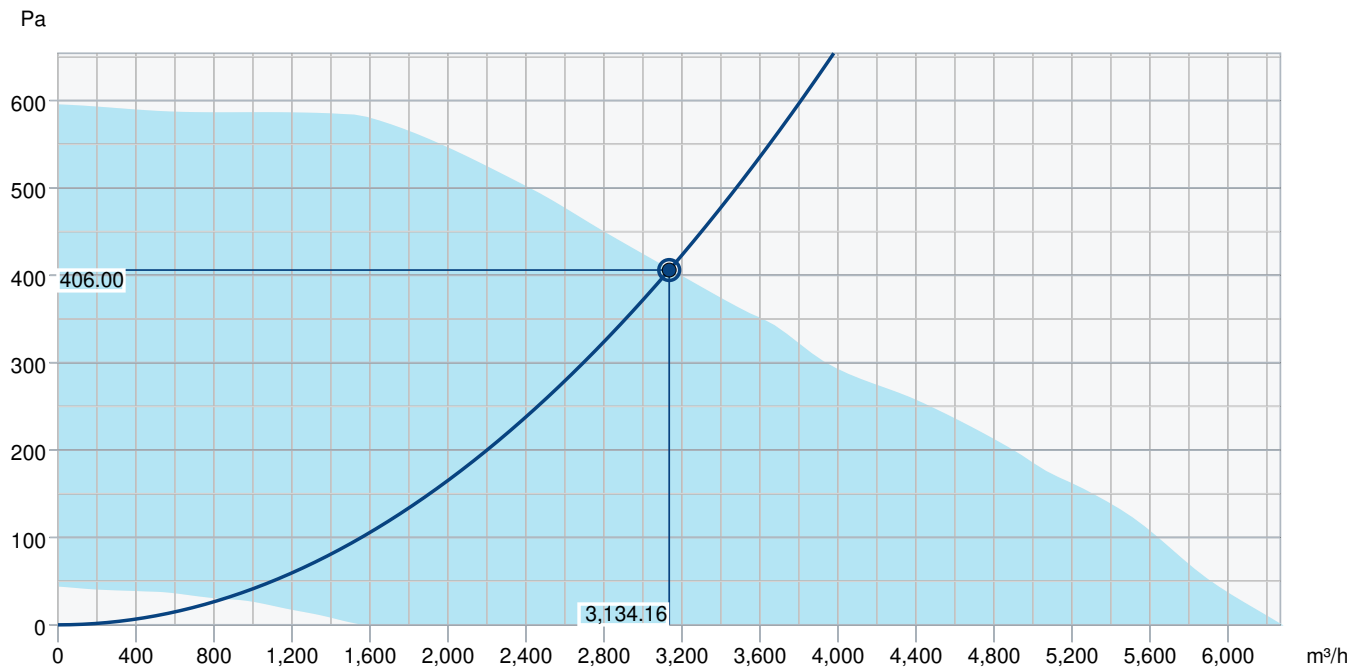
## Dimension



## Wiring



## Performance curve



### Hydraulic data

Required air flow	3,134 m³/h
Required static pressure	406 Pa
Working air flow	3,134 m³/h
Working static pressure	406 Pa
Air density	1.204 kg/m³
Power	756.5 W
Fan control - RPM	1,488 rpm
Current	3.40 A
SFP	0.869 kW/m³/s
Control voltage	10.0 V
Supply voltage	230 V

Sound power level		63	125	250	500	1k	2k	4k	8k	Total
Inlet	dB(A)	65	77	74	69	69	67	62	54	80
Outlet	dB(A)	56	73	69	67	73	71	64	55	78
Surrounding	dB(A)	48	61	65	59	61	62	57	51	69
Sound pressure level at 3m (20m² Sabine)	dB(A)	-	-	-	-	-	-	-	-	62
Sound pressure level at 3m free field	dB(A)	-	-	-	-	-	-	-	-	48

### Accessories

CXE/AVC Modbus (37256)

EC-Basic-H humidity (24807)

EC-Basic-U universal 0-10V (24806)

EC-Vent control board (3115)

MTP 10, 10K, Speed control (32731)

Potentiometer MTP 20, 0-10V (310220)

REV-3POL/03-7.5kW R/Y (33978)

SG 500 Protection guard (5615)

CO2RT-R-D Transmitter (6993)

Presence detector/IR24-P (6995)

Safety switch 2-pole grey (210679)

VBC 500-2 Water heating batt (9837)

EC-Basic-CO2 and temperature (24808)

EC-Basic-T temperature (24805)

EC-Selector (9908)

EC-Vent Room Unit (3018)

MTV-1/010 Controller 0..10V+ (30650)

Pressure controller PCA 1000D2 (76739)

RSK-500 Back draft damper (73049)

Step switch S-SEC-2, 0-10V (449084)

HR1 Room Humidistat (215150)

RT 0-30 Room Thermostat (5151)

FK 500 Fast clamp (1617)

Room hygrostat HR-S (286251)

## Documents

INSTALLATION\_OPERATION\_AND\_MAINTENANCE\_INSTRUCTION\_KV\_DUO\_KVK\_DUO\_KVK\_003\_EN.PDF

MODBUS LITE V5.01 parameter specification.pdf

COMMISSIONING\_RECCORD\_FANS\_EN.PDF