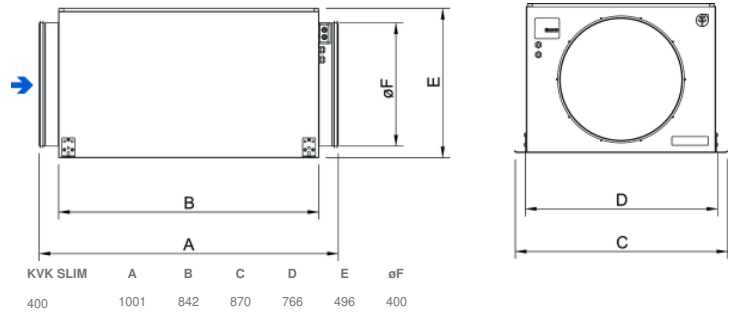




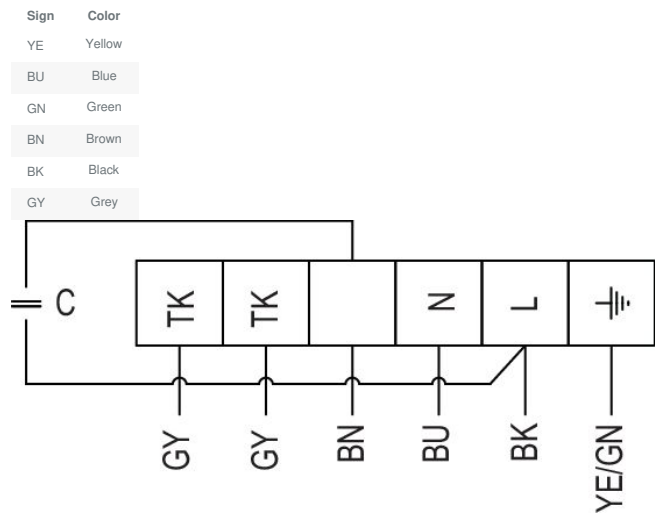
Technical parameters

Nominal data	
Voltage (nominal)	230 V
Frequency	50 Hz
Phases	1~
Input power	489 W
Input current	2.39 A
Impeller speed	1,345 rpm
Air flow	max 3,967 m ³ /h
Capacitance of capacitor	10 μF
Temperature of transported air	max 70 °C
Max temperature of transported air, when speed controlled	70 °C
Sound data	
Sound pressure level at 3m (20m ² Sabin)	57 dB(A)
Protection/Classification	
Enclosure class, motor	IP54
Insulation class	F
Data according to ErP	
ErP ready	ErP 2018
Dimensions and weights	
Duct dimension; Circular, inlet	400 mm
Duct dimension; Circular, outlet	400 mm
Weight	42 kg
Others	
Motor type	AC

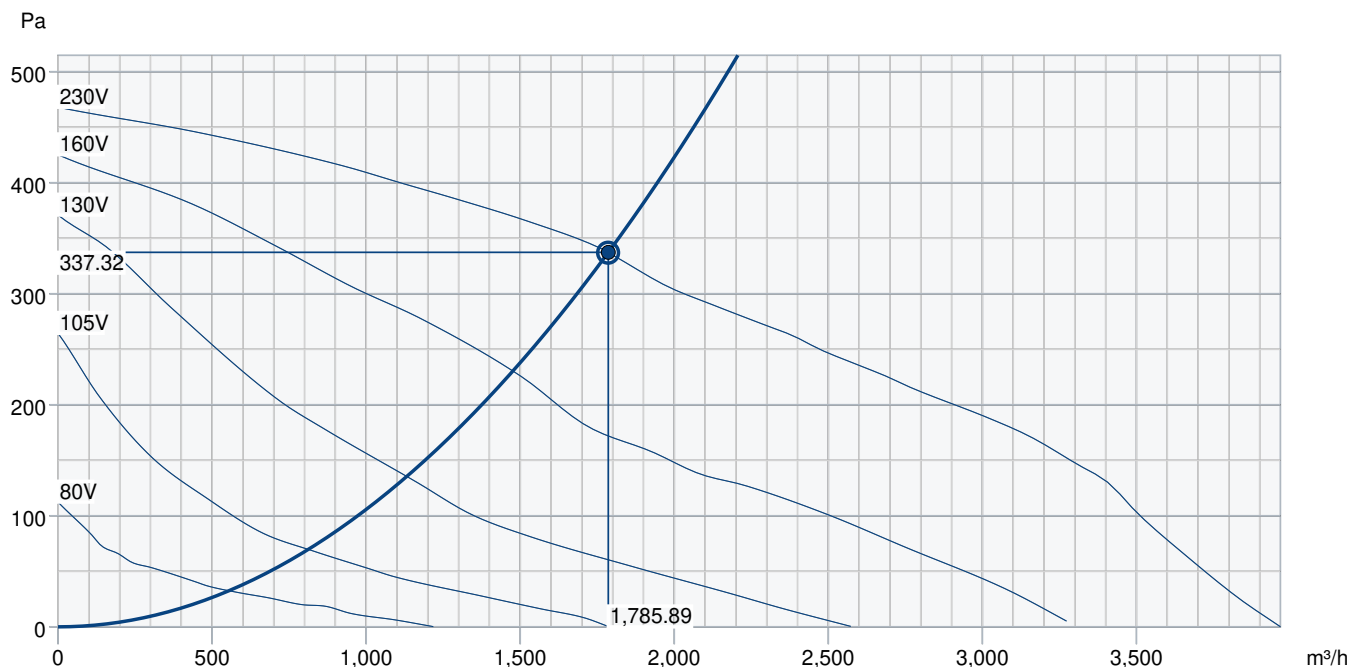
Dimension



Wiring



Performance curve



Hydraulic data										
Required air flow										1,785 m³/h
Required static pressure										337 Pa
Working air flow										1,786 m³/h
Working static pressure										337 Pa
Air density										1.204 kg/m³
Power										449.6 W
Fan control - RPM										1,363 rpm
Current										2.20 A
SFP										0.906 kW/m³/s
Control voltage										230.0 V
Supply voltage										230 V
Sound power level		63	125	250	500	1k	2k	4k	8k	Total
Inlet	dB(A)	56	71	66	61	60	62	58	57	73
Outlet	dB(A)	50	71	63	59	59	57	53	46	73
Surrounding	dB(A)	37	59	57	53	52	55	51	54	64
Sound pressure level at 3m (20m² Sabine)	dB(A)	-	-	-	-	-	-	-	-	57
Sound pressure level at 3m free field	dB(A)	-	-	-	-	-	-	-	-	43
Accessories										

Accessories

[Frequency converter FRQ5SE-6A \(37421\)](#)
[Motor protect. switch S-ET 10E \(161205\)](#)
[REPT 6 Digital regulator \(5698\)](#)
[REU 3 Speed control \(5005\)](#)
[RTRE 3 Speed control \(5009\)](#)
[VKK-400 Back draft damper \(1629\)](#)
[DTV500A \(96807\)](#)
[HR1 Room Humidistat \(215150\)](#)
[RT 0-30 Room Thermostat \(5151\)](#)
[T 120 Timer \(5165\)](#)
[CB 400-6,0 400V/2 Duct heater \(5391\)](#)
[CBM 400-9,0 400V/3 Duct heater \(5487\)](#)
[CWK 400-3-2,5 Duct cooler,circ \(30026\)](#)
[FGR 400 Filter cassette \(1823\)](#)
[LDC 400-900 Silencer \(5198\)](#)
[VBC 400-2 Water heating batt \(5462\)](#)
[VBF 400 Water heating battery \(1736\)](#)

[Motor protect. switch S-ET 10 \(161199\)](#)
[REE 4 Speed control \(5317\)](#)
[RETP 6 Temp/Pressure regulator \(32293\)](#)
[REV-5POL/05-7,5kW R/Y \(33979\)](#)
[SG 400 Protection guard \(5613\)](#)
[CO2RT-R-D Transmitter \(6993\)](#)
[Frequency converter FRQSE-6A \(37419\)](#)
[Presence detector/IR24-P \(6995\)](#)
[Safety switch 2-pole grey \(210679\)](#)
[CB 400-12,0 400V/3 Duct heater \(5393\)](#)
[CB 400-9,0 400V/3 Duct heater \(5392\)](#)
[CBMF 400-9,0 400V/3 Duct heater \(12511\)](#)
[FFR 400 Filter cassette \(1783\)](#)
[FK 400 Fast clamp \(1615\)](#)
[RSK-400 Back draft dmp. \(9973\)](#)
[VBC 400-3 Water heating batt \(9845\)](#)
[Room hygrostat HR-S \(286251\)](#)

Documents

[INSTALLATION_OPERATION_AND_MAINTENANCE_INSTRUCTION_KV_DUO_KVK_DUO_KVK_003_EN.PDF](#)
[COMMISSIONING_RECCORD_FANS_EN.PDF](#)