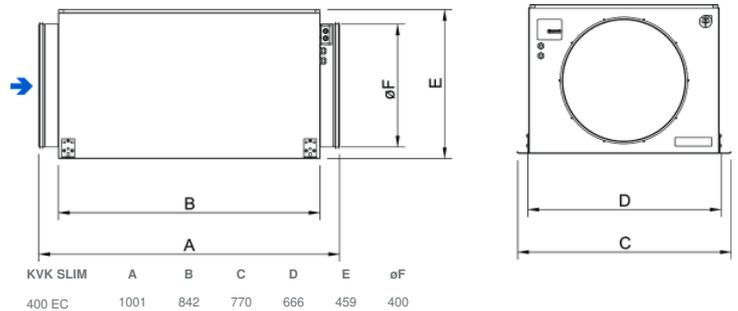




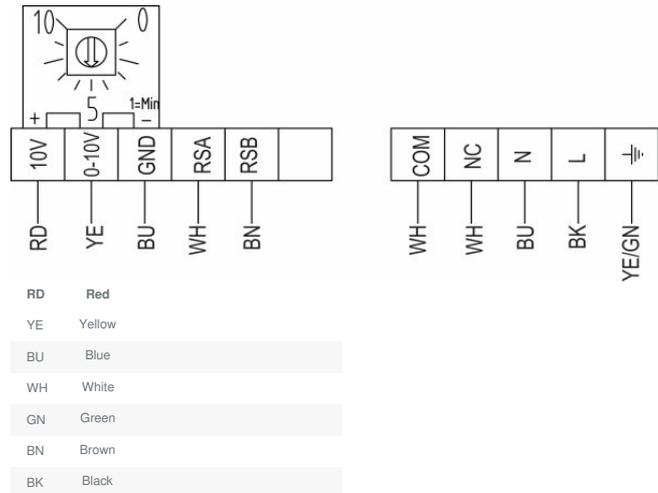
Technical parameters

Nominal data	
Voltage (nominal)	230 V
Frequency	60; 50 Hz
Phases	1~
Input power	536 W
Input current	2.35 A
Impeller speed	1,832 rpm
Air flow	max 4,046 m ³ /h
Temperature of transported air	max 60 °C
Max temperature of transported air, when speed controlled	60 °C
Sound data	
Sound pressure level at 3m (20m ² Sabin)	56 dB(A)
Protection/Classification	
Enclosure class, motor	IP55
Insulation class	F
Data according to ErP	
ErP ready	ErP 2018
Dimensions and weights	
Duct dimension; Circular, inlet	400 mm
Duct dimension; Circular, outlet	400 mm
Weight	34.333 kg
Others	
Duct connection type	Circular
Motor type	EC

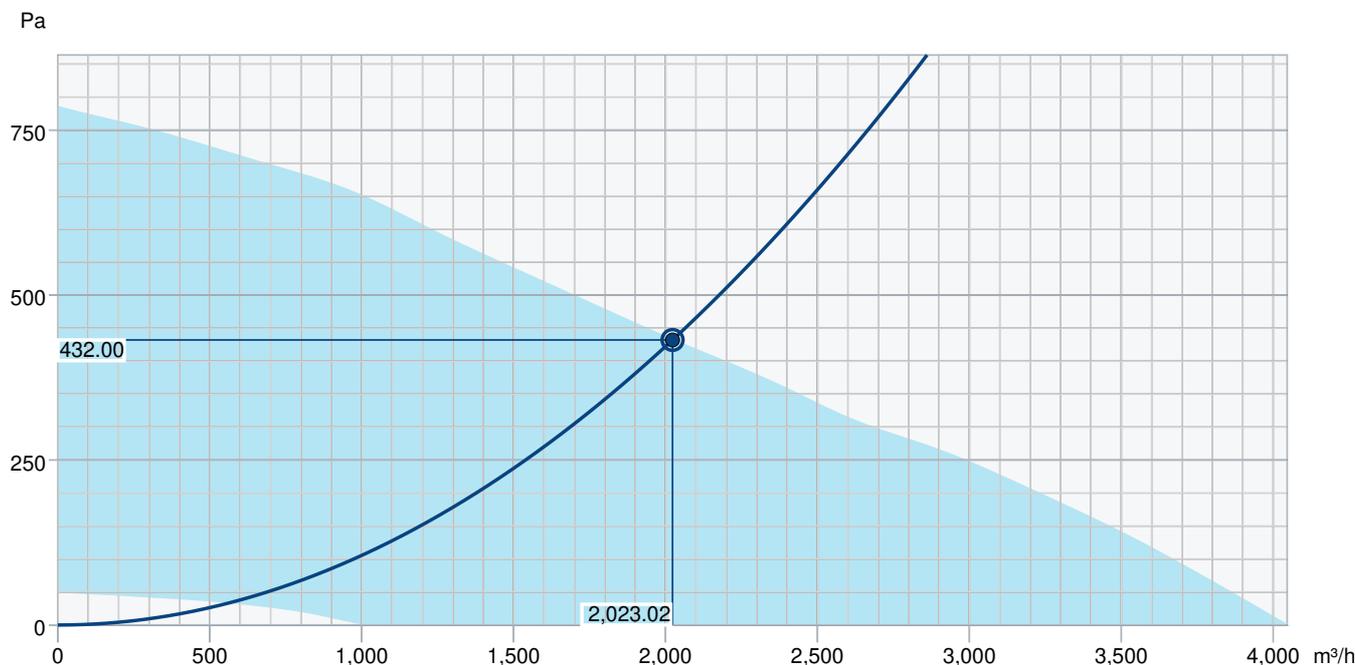
Dimension



Wiring



Performance curve



Hydraulic data										
Required air flow	2,023 m³/h									
Required static pressure	432 Pa									
Working air flow	2,023 m³/h									
Working static pressure	432 Pa									
Air density	1.204 kg/m³									
Power	519.9 W									
Fan control - RPM	1,832 rpm									
Current	2.31 A									
SFP	0.925 kW/m³/s									
Control voltage	10.0 V									
Supply voltage	230 V									
Sound power level		63	125	250	500	1k	2k	4k	8k	Total
Inlet	dB(A)	58	65	71	66	63	62	58	52	74
Outlet	dB(A)	57	69	72	66	67	63	59	51	75
Surrounding	dB(A)	46	51	62	55	53	49	46	39	64
Sound pressure level at 3m (20m² Sabine)	dB(A)	-	-	-	-	-	-	-	-	57
Sound pressure level at 3m free field	dB(A)	-	-	-	-	-	-	-	-	43
Accessories										

Accessories

CXE/AVC Modbus (37256)	EC-Basic-CO2 and temperature (24808)
EC-Basic-H humidity (24807)	EC-Basic-T temperature (24805)
EC-Basic-U universal 0-10V (24806)	EC-Selector (9908)
EC-Vent control board (3115)	EC-Vent Room Unit (3018)
MTP 10, 10K, Speed control (32731)	MTV-1/010 Controller 0..10V+ (30650)
Potentiometer MTP 20, 0-10V (310220)	Pressure controller PCA 1000D2 (76739)
REV-3POL/03-7.5kW R/Y (33978)	SG 400 Protection guard (5613)
Step switch S-5EC-2, 0-10V (449084)	VKK-400 Back draft damper (1629)
CO2RT-R-D Transmitter (6993)	HR1 Room Humidistat (215150)
Presence detector/IR24-P (6995)	RT 0-30 Room Thermostat (5151)
Safety switch 2-pole grey (210679)	CB 400-12,0 400V/3 Duct heater (5393)
CB 400-6,0 400V/2 Duct heater (5391)	CB 400-9,0 400V/3 Duct heater (5392)
CBM 400-9,0 400V/3 Duct heater (5487)	CBMF 400-9,0 400V/3 Duct heater (12511)
CWK 400-3-2,5 Duct cooler,circ (30026)	FFR 400 Filter cassette (1783)
FGR 400 Filter cassette (1823)	FK 400 Fast clamp (1615)
LDC 400-900 Silencer (5198)	RSK-400 Back draft dmp. (9973)
VBC 400-2 Water heating batt (5462)	VBC 400-3 Water heating batt (9845)
VBF 400 Water heating battery (1736)	Room hygrostat HR-S (286251)

Documents

INSTALLATION_OPERATION_AND_MAINTENANCE_INSTRUCTION_KV_DUO_KVK_DUO_KVK_003_EN.PDF
 MODBUS LITE V5.01 parameter specification.pdf
 COMMISSIONING_RECCORD_FANS_EN.PDF