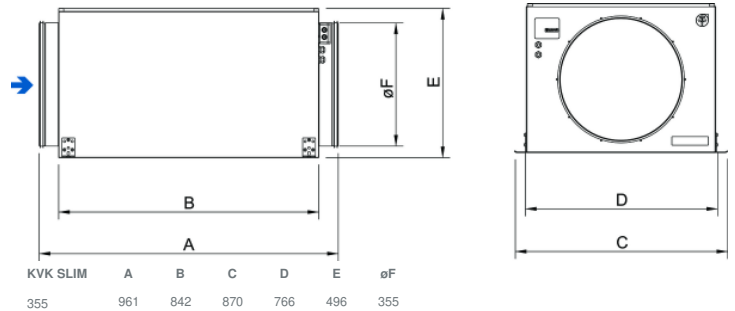


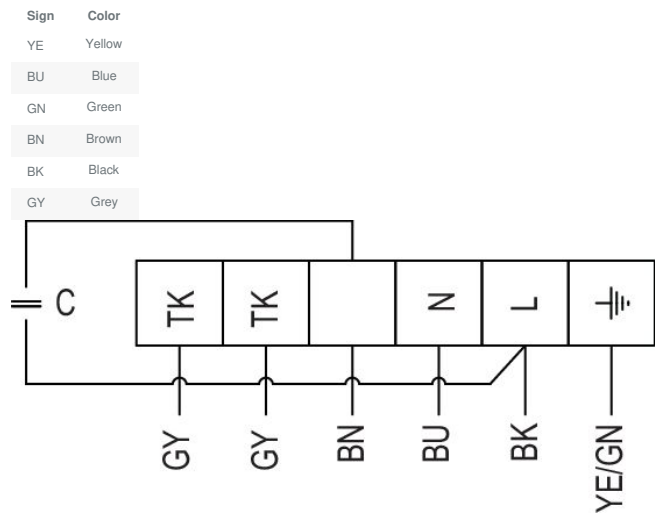
Technical parameters

Nominal data	
Voltage (nominal)	230 V
Frequency	50 Hz
Phases	1~
Input power	487 W
Input current	2.38 A
Impeller speed	1,346 rpm
Air flow	max 3,658 m ³ /h
Capacitance of capacitor	10 μF
Temperature of transported air	max 70 °C
Max temperature of transported air, when speed controlled	70 °C
Sound data	
Sound pressure level at 3m (20m ² Sabin)	50 dB(A)
Protection/Classification	
Enclosure class, motor	IP54
Insulation class	F
Data according to ErP	
ErP ready	ErP 2018
Dimensions and weights	
Duct dimension; Circular, inlet	355 mm
Duct dimension; Circular, outlet	355 mm
Weight	41.5 kg
Others	
Motor type	AC

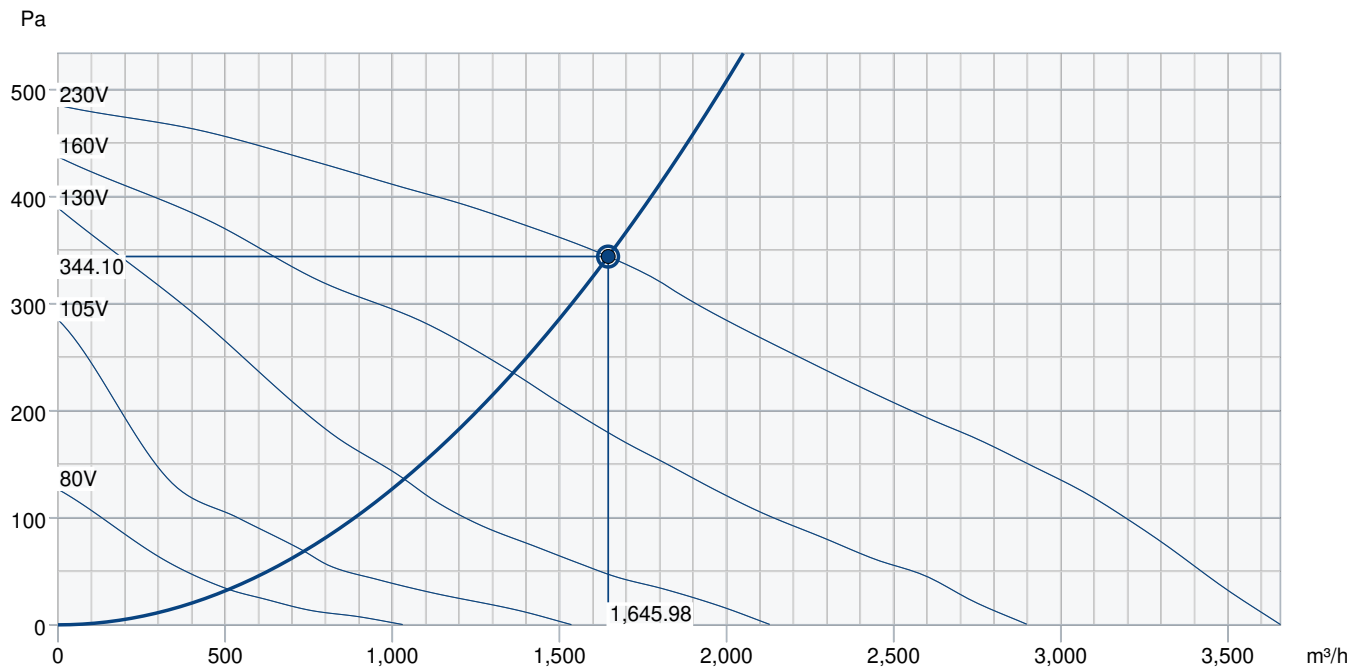
Dimension



Wiring



Performance curve



Hydraulic data										
Required air flow	1,646 m³/h									
Required static pressure	344 Pa									
Working air flow	1,646 m³/h									
Working static pressure	344 Pa									
Air density	1.204 kg/m³									
Power	426.5 W									
Fan control - RPM	1,374 rpm									
Current	2.11 A									
SFP	0.933 kW/m³/s									
Control voltage	230.0 V									
Supply voltage	230 V									
Sound power level		63	125	250	500	1k	2k	4k	8k	Total
Inlet	dB(A)	51	69	61	58	58	58	55	48	71
Outlet	dB(A)	51	67	60	57	57	58	54	47	69
Surrounding	dB(A)	33	52	50	49	46	46	49	41	57
Sound pressure level at 3m (20m² Sabine)	dB(A)	-	-	-	-	-	-	-	-	50
Sound pressure level at 3m free field	dB(A)	-	-	-	-	-	-	-	-	36
Accessories										

Accessories

FFR 355 Filter cassette (1782)

REE 4 Speed control (5317)

RETP 6 Temp/Pressure regulator (32293)

REV-5POL/05-7.5kW R/Y (33979)

SG 355 Protection guard (5612)

DTV500A (96807)

HR1 Room Humidistat (215150)

Safety switch 2-pole grey (210679)

CB 355-6,0 400V/2 Duct heater (5388)

CBM 355-9,0 400V/3 Duct heater (5486)

FGR 355 Filter cassette (1821)

LDC 355-900 Silencer (5399)

VBF 355 Water heating battery (1735)

Room hygrostat HR-S (286251)

Frequency converter FRQ5SE-6A (37421)

REPT 6 Digital regulator (5698)

REU 3 Speed control (5005)

RTRE 3 Speed control (5009)

CO2RT-R-D Transmitter (6993)

Frequency converter FRQSE-6A (37419)

RT 0-30 Room Thermostat (5151)

CB 355-12,0 400V/3 Duct heater (5390)

CB 355-9,0 400V/3 Duct heater (5389)

CBMF 355-9,0 400V/3 Duct heater (12443)

FK 355 Fast clamp (1614)

RSK-355 Back draft dmp. (9972)

VK-35 Louvre shutter (5642)

Documents

INSTALLATION_OPERATION_AND_MAINTENANCE_INSTRUCTION_KV_DUO_KVK_DUO_KVK_003_EN.PDF

COMMISSIONING_RECCORD_FANS_EN.PDF