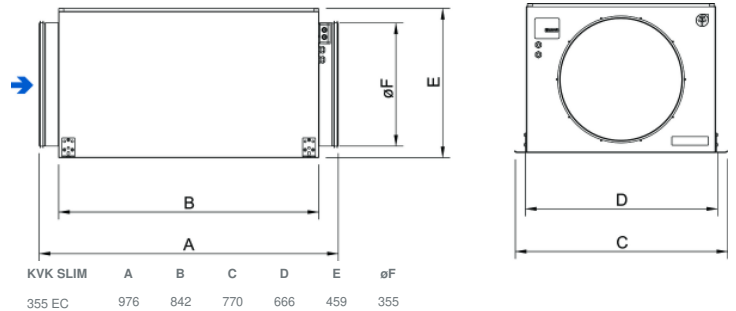


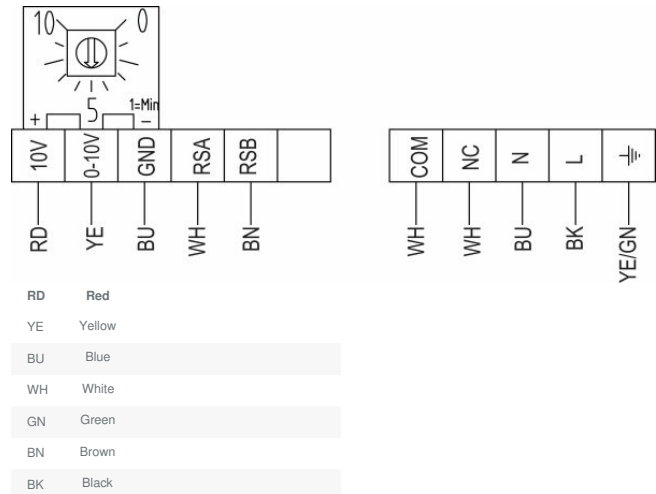
Technical parameters

Nominal data	
Voltage (nominal)	230 V
Frequency	50; 60 Hz
Phases	1~
Input power	536 W
Input current	2.37 A
Impeller speed	1,887 rpm
Air flow	max 3,712 m ³ /h
Temperature of transported air	max 60 °C
Max temperature of transported air, when speed controlled	60 °C
Sound data	
Sound pressure level at 3m (20m ² Sabin)	59 dB(A)
Protection/Classification	
Enclosure class, motor	IP55
Insulation class	F
Data according to ErP	
ErP ready	ErP 2018
Dimensions and weights	
Duct dimension; Circular, inlet	355 mm
Duct dimension; Circular, outlet	355 mm
Weight	34.333 kg
Others	
Duct connection type	Circular
Motor type	EC

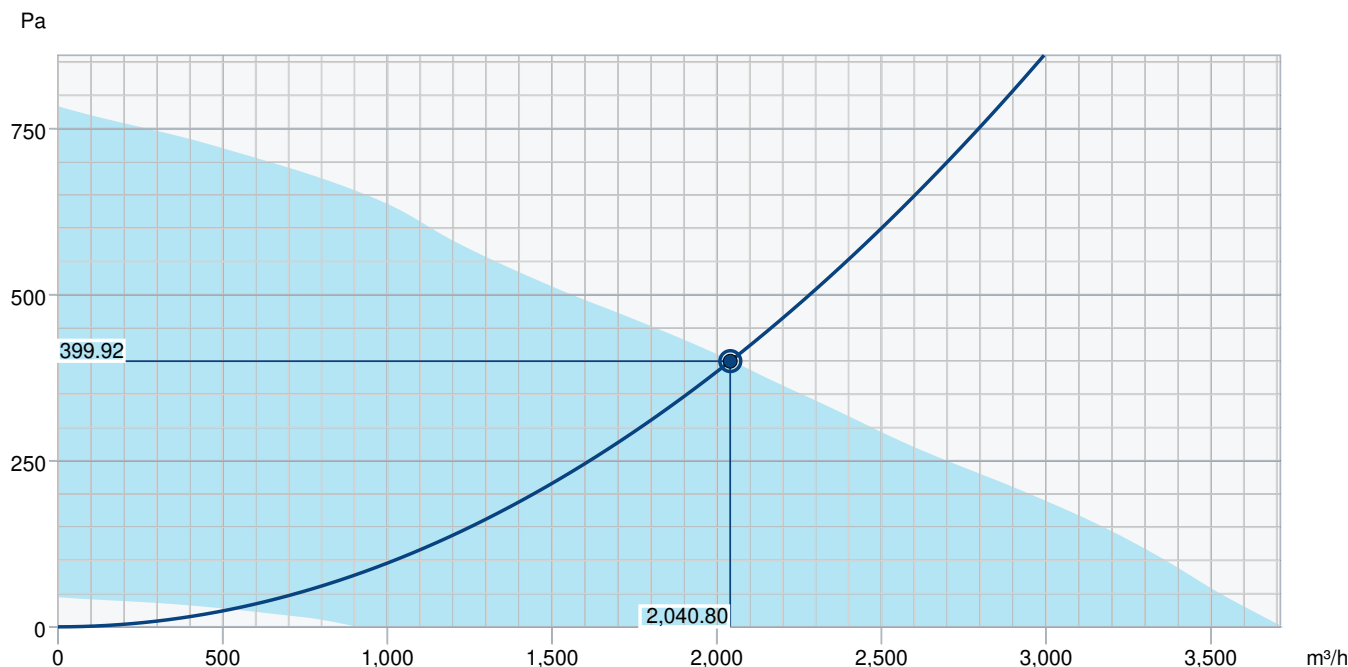
Dimension



Wiring



Performance curve



Hydraulic data										
Required air flow	2,041 m³/h									
Required static pressure	400 Pa									
Working air flow	2,041 m³/h									
Working static pressure	400 Pa									
Air density	1.204 kg/m³									
Power	528.7 W									
Fan control - RPM	1,851 rpm									
Current	2.30 A									
SFP	0.933 kW/m³/s									
Control voltage	10.0 V									
Supply voltage	230 V									
Sound power level		63	125	250	500	1k	2k	4k	8k	Total
Inlet	dB(A)	58	73	75	68	64	62	58	52	78
Outlet	dB(A)	56	70	72	65	65	62	58	50	75
Surrounding	dB(A)	44	57	64	57	53	48	49	40	66
Sound pressure level at 3m (20m² Sabine)	dB(A)	-	-	-	-	-	-	-	-	59
Sound pressure level at 3m free field	dB(A)	-	-	-	-	-	-	-	-	45
Accessories										

Accessories

CXE/AVC Modbus (37256)

EC-Basic-H humidity (24807)

EC-Basic-U universal 0-10V (24806)

EC-Vent control board (3115)

FFR 355 Filter cassette (1782)

MTV-1/010 Controller 0..10V+ (30650)

Pressure controller PCA 1000D2 (76739)

SG 355 Protection guard (5612)

CO2RT-R-D Transmitter (6993)

Presence detector/IR24-P (6995)

Safety switch 2-pole grey (210679)

CB 355-6,0 400V/2 Duct heater (5388)

CBM 355-9,0 400V/3 Duct heater (5486)

FGR 355 Filter cassette (1821)

LDC 355-900 Silencer (5399)

VK-35 Louvre shutter (5642)

EC-Basic-CO2 and temperature (24808)

EC-Basic-T temperature (24805)

EC-Selector (9908)

EC-Vent Room Unit (3018)

MTP 10, 10K, Speed control (32731)

Potentiometer MTP 20, 0-10V (310220)

REV-3POL/03-7,5kW R/Y (33978)

Step switch S-SEC-2, 0-10V (449084)

HR1 Room Humidistat (215150)

RT 0-30 Room Thermostat (5151)

CB 355-12,0 400V/3 Duct heater (5390)

CB 355-9,0 400V/3 Duct heater (5389)

CBMF 355-9,0 400V/3 Duct heater (12443)

FK 355 Fast clamp (1614)

RSK-355 Back draft dmp. (9972)

Room hygrostat HR-S (286251)

Documents

INSTALLATION_OPERATION_AND_MAINTENANCE_INSTRUCTION_KV_DUO_KVK_DUO_KVK_003_EN.PDF

MODBUS LITE V5.01 parameter specification.pdf

COMMISSIONING_RECCORD_FANS_EN.PDF