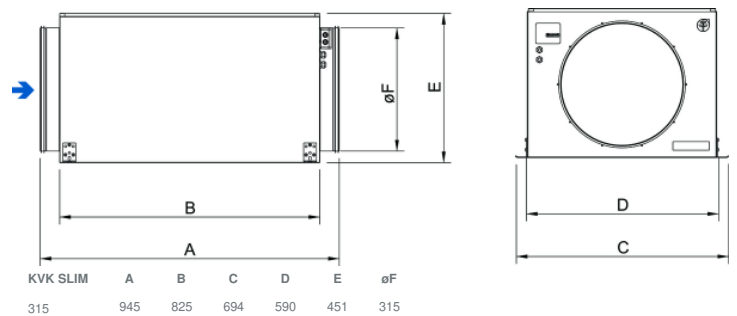




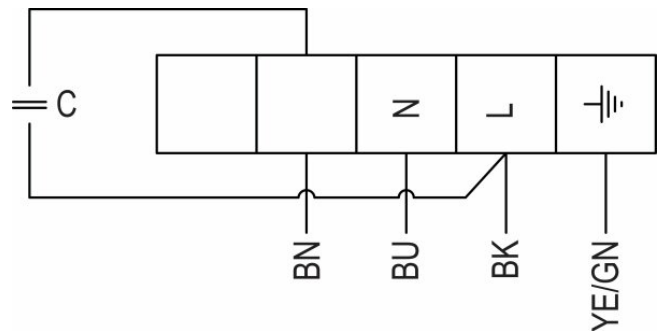
Technical parameters

Nominal data	
Voltage (nominal)	230 V
Frequency	50 Hz
Phases	1~
Input power	266 W
Input current	1.27 A
Impeller speed	1,346 rpm
Air flow	max 2,527 m ³ /h
Capacitance of capacitor	5 µF
Temperature of transported air	max 70 °C
Max temperature of transported air, when speed controlled	70 °C
Sound data	
Sound pressure level at 3m (20m ² Sabin)	50 dB(A)
Protection/Classification	
Enclosure class, motor	IP54
Insulation class	F
Data according to ErP	
ErP ready	ErP 2018
Dimensions and weights	
Duct dimension; Circular, inlet	315 mm
Duct dimension; Circular, outlet	315 mm
Weight	31.966 kg
Others	
Duct connection type	Circular
Motor type	AC

Dimension



Wiring



YE Yellow

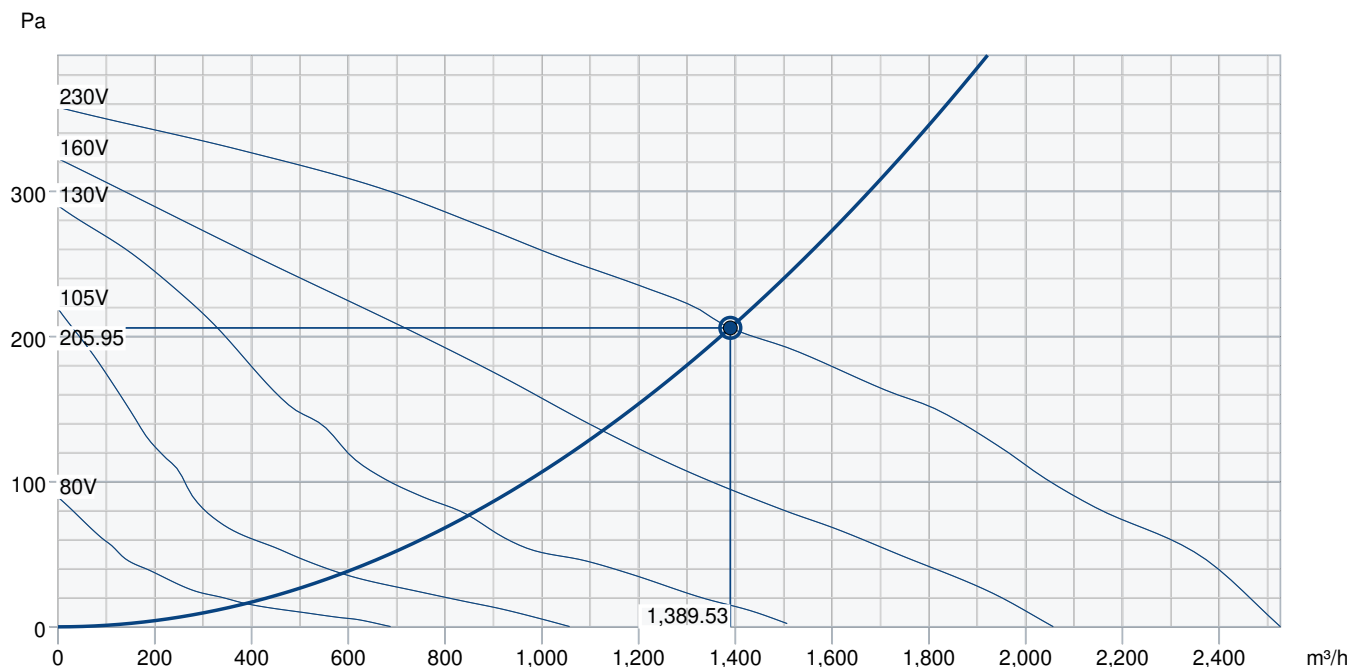
BU Blue

GN Green

BN Brown

BK Black

Performance curve



Hydraulic data										
Required air flow										1,390 m³/h
Required static pressure										206 Pa
Working air flow										1,390 m³/h
Working static pressure										206 Pa
Air density										1.204 kg/m³
Power										238.7 W
Fan control - RPM										1,370 rpm
Current										1.20 A
SFP										0.618 kW/m³/s
Control voltage										230.0 V
Supply voltage										230 V
Sound power level		63	125	250	500	1k	2k	4k	8k	Total
Inlet	dB(A)	56	66	65	58	56	56	55	44	70
Outlet	dB(A)	56	68	64	59	58	56	50	41	71
Surrounding	dB(A)	35	50	55	48	45	45	47	34	58
Sound pressure level at 3m (20m² Sabine)	dB(A)	-	-	-	-	-	-	-	-	51
Sound pressure level at 3m free field	dB(A)	-	-	-	-	-	-	-	-	37
Accessories										

Accessories

- RE 1.5 Speed control (5000)
- REPT 6 Digital regulator (5698)
- REU 1.5 Speed control (5004)
- RSK-500 Back draft damper (73049)
- SG 500 Protection guard (5615)
- CB 315-6,0 400V/2 Duct heater (5374)
- DTV500A (96807)
- Presence detector/IR24-P (6995)
- Safety switch 2-pole grey (210679)
- CB 315-12,0 400V/3 Duct heater (5387)
- CB 315-9,0 400V/3 Duct heater (5375)
- CBMF 315-9,0 400V/3 Duct heater (12354)
- FFR 315 Filter cassette (1779)
- FK 315 Fast clamp (1613)
- LDC 315-900 Silencer (5197)
- VBC 315-2 Water heating batt (5461)
- VBC 500-2 Water heating batt (9837)
- VK-30 Louvre shutter (5641)

- REE 2 Speed control (5316)
- RETP 6 Temp/Pressure regulator (32293)
- REV-3POL/03-7,5kW R/Y (33978)
- SG 315 Protection guard (5611)
- VKK-315 Back draft damper (1628)
- CO2RT-R-D Transmitter (6993)
- HR1 Room Humidistat (215150)
- RT 0-30 Room Thermostat (5151)
- T 120 Timer (5165)
- CB 315-3,0 230V/1 Duct heater (5386)
- CBM 315-9,0 400V/3 Duct heater (5485)
- CWK 315-3-2,5 Duct cooler, circ (30025)
- FGR 315 Filter cassette (1818)
- FK 500 Fast clamp (1617)
- RSK-315 Back draft damper (5604)
- VBC 315-3 Water heating batt (9844)
- VBF 315 Water heating battery (1734)
- Room hygrostat HR-S (286251)

Documents

- INSTALLATION_OPERATION_AND_MAINTENANCE_INSTRUCTION_KV_DUO_KVK_DUO_KVK_003_EN.PDF
- COMMISSIONING_RECCORD_FANS_EN.PDF