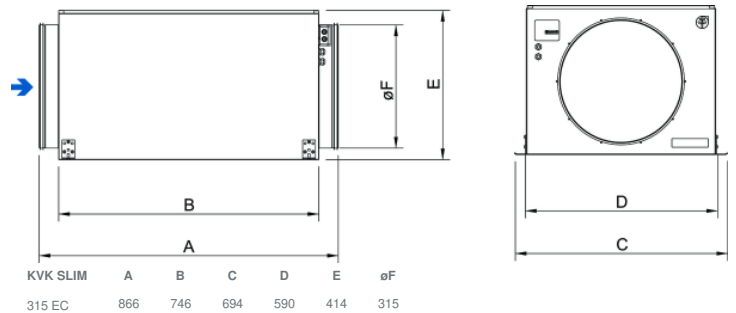


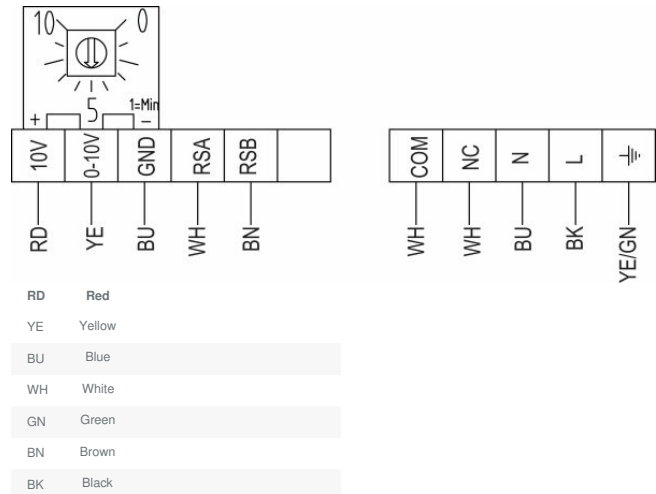
## Technical parameters

Nominal data	
Voltage (nominal)	230 V
Frequency	60; 50 Hz
Phases	1~
Input power	533 W
Input current	2.34 A
Impeller speed	2,400 rpm
Air flow	max 3,056 m <sup>3</sup> /h
Temperature of transported air	max 60 °C
Max temperature of transported air, when speed controlled	60 °C
Sound data	
Sound pressure level at 3m (20m <sup>2</sup> Sabin)	61 dB(A)
Protection/Classification	
Enclosure class, motor	IP55
Insulation class	F
Data according to ErP	
ErP ready	ErP 2018
Dimensions and weights	
Duct dimension; Circular, inlet	315 mm
Duct dimension; Circular, outlet	315 mm
Weight	29.333 kg
Others	
Duct connection type	Circular
Motor type	EC

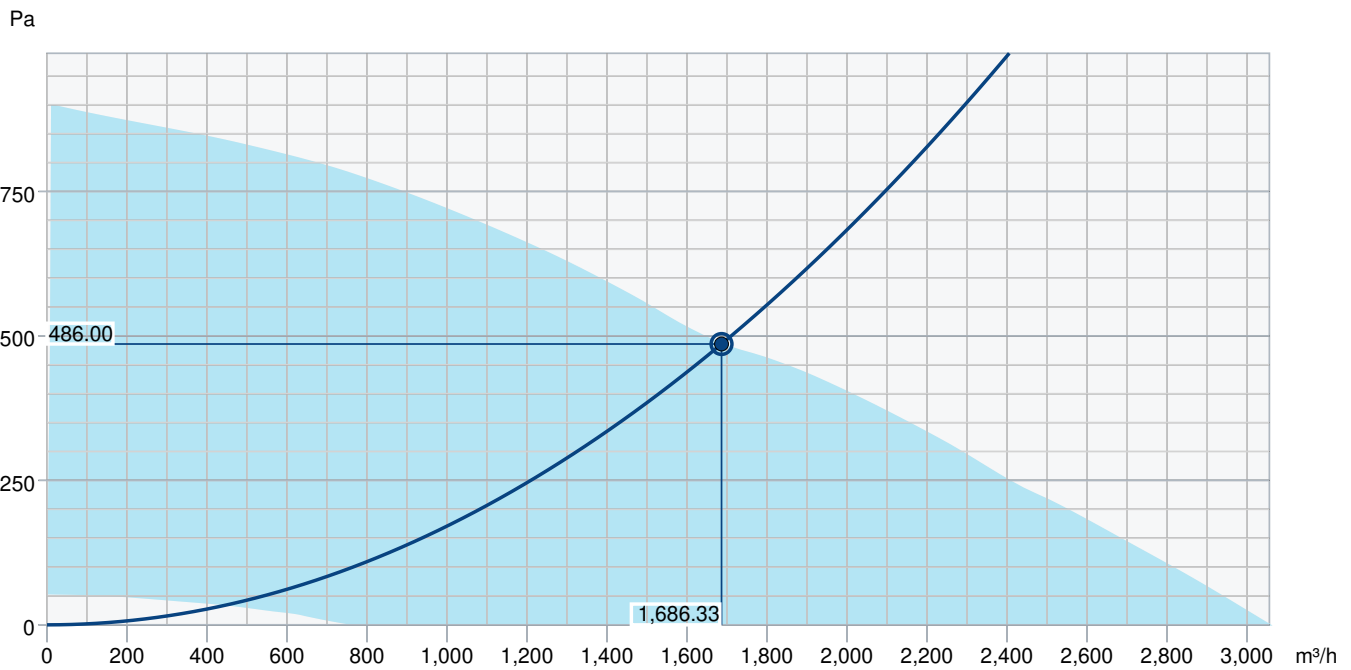
## Dimension



## Wiring



# Performance curve



Hydraulic data										
Required air flow										1,686 m³/h
Required static pressure										486 Pa
Working air flow										1,686 m³/h
Working static pressure										486 Pa
Air density										1.204 kg/m³
Power										515.1 W
Fan control - RPM										2,289 rpm
Current										2.30 A
SFP										1.100 kW/m³/s
Control voltage										10.0 V
Supply voltage										230 V
Sound power level		63	125	250	500	1k	2k	4k	8k	Total
Inlet	dB(A)	63	68	78	70	67	65	61	55	80
Outlet	dB(A)	60	72	78	71	71	68	62	54	80
Surrounding	dB(A)	44	51	67	59	55	47	40	31	68
Sound pressure level at 3m (20m² Sabine)	dB(A)	-	-	-	-	-	-	-	-	61
Sound pressure level at 3m free field	dB(A)	-	-	-	-	-	-	-	-	47
Accessories										

## Accessories

CXE/AVC Modbus (37256)	EC-Basic-CO2 and temperature (24808)
EC-Basic-H humidity (24807)	EC-Basic-T temperature (24805)
EC-Basic-U universal 0-10V (24806)	EC-Selector (9908)
EC-Vent control board (3115)	EC-Vent Room Unit (3018)
MTP 10, 10K, Speed control (32731)	MTV-1/010 Controller 0..10V+ (30650)
Potentiometer MTP 20, 0-10V (310220)	Pressure controller PCA 1000D2 (76739)
REV-3POL/03-7.5kW R/Y (33978)	SG 315 Protection guard (5611)
Step switch S-5EC-2, 0-10V (449084)	VKK-315 Back draft damper (1628)
CB 315-6,0 400V/2 Duct heater (5374)	CO2RT-R-D Transmitter (6993)
HR1 Room Humidistat (215150)	Presence detector/IR24-P (6995)
RT 0-30 Room Thermostat (5151)	Safety switch 2-pole grey (210679)
CB 315-12,0 400V/3 Duct heater (5387)	CB 315-3,0 230V/1 Duct heater (5386)
CB 315-9,0 400V/3 Duct heater (5375)	CBM 315-9,0 400V/3 Duct heater (5485)
CBMF 315-9,0 400V/3 Duct heater (12354)	CWK 315-3-2,5 Duct cooler, circ (30025)
FFR 315 Filter cassette (1779)	FGR 315 Filter cassette (1818)
FK 315 Fast clamp (1613)	LDC 315-900 Silencer (5197)
RSK-315 Back draft damper (5604)	VBC 315-2 Water heating batt (5461)
VBC 315-3 Water heating batt (9844)	VBF 315 Water heating battery (1734)
VK-30 Louvre shutter (5641)	Room hygrostat HR-S (286251)

## Documents

- INSTALLATION\_OPERATION\_AND\_MAINTENANCE\_INSTRUCTION\_KV\_DUO\_KVK\_DUO\_KVK\_003\_EN.PDF
- MODBUS LITE V5.01 parameter specification.pdf
- COMMISSIONING\_RECORD\_FANS\_EN.PDF