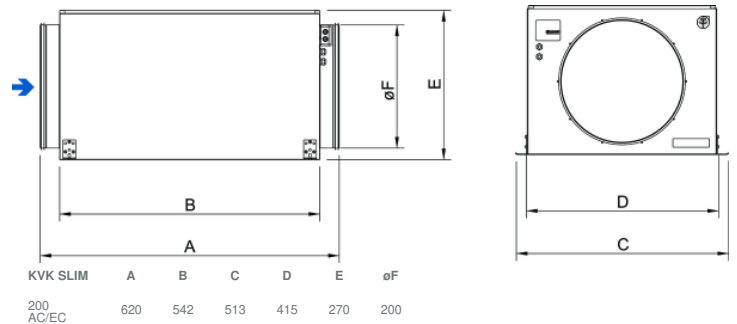




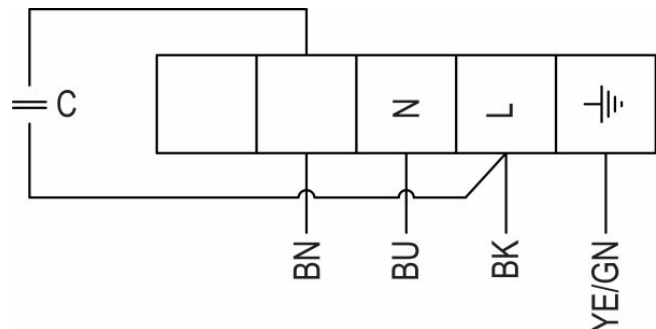
## Technical parameters

Nominal data	
Voltage (nominal)	230 V
Frequency	50 Hz
Phases	1~
Input power	108 W
Input current	0.479 A
Impeller speed	2,414 rpm
Air flow	max 760 m <sup>3</sup> /h
Capacitance of capacitor	2.5 μF
Temperature of transported air	max 70 °C
Max temperature of transported air, when speed controlled	70 °C
Sound data	
Sound pressure level at 3m (20m <sup>2</sup> Sabin)	48 dB(A)
Protection/Classification	
Enclosure class, motor	IP44
Insulation class	F
Data according to ErP	
Energy class, Basic unit	E
Energy class, Local demand	C
ErP ready	ErP 2018
Dimensions and weights	
Duct dimension; Circular, inlet	200 mm
Duct dimension; Circular, outlet	200 mm
Weight	10.3 kg
Others	
Duct connection type	Circular
Motor type	AC

## Dimension



## Wiring



YE Yellow

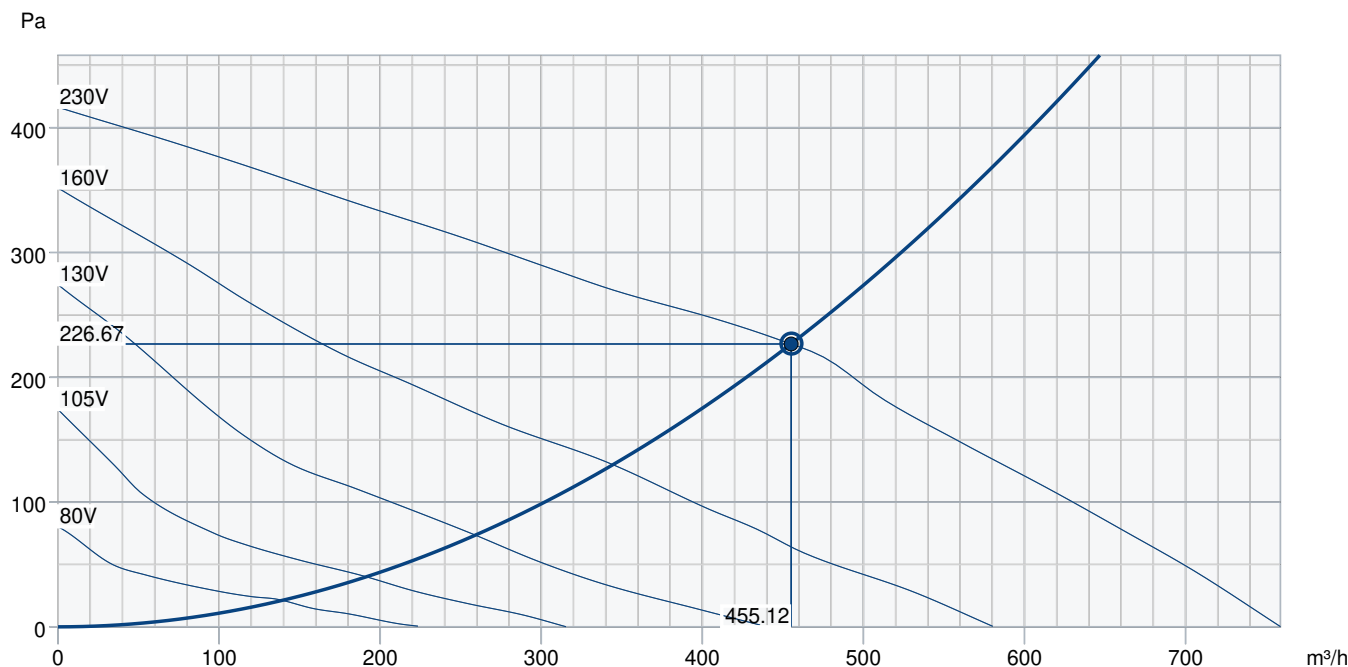
BU Blue

GN Green

BN Brown

BK Black

# Performance curve



Hydraulic data										
Required air flow	455 m³/h									
Required static pressure	227 Pa									
Working air flow	455 m³/h									
Working static pressure	227 Pa									
Air density	1.204 kg/m³									
Power	105.5 W									
Fan control - RPM	2,434 rpm									
Current	0.50 A									
SFP	0.834 kW/m³/s									
Control voltage	230.0 V									
Supply voltage	230 V									
Sound power level		63	125	250	500	1k	2k	4k	8k	Total
Inlet	dB(A)	54	60	65	68	63	57	51	42	71
Outlet	dB(A)	55	53	64	60	56	57	51	42	67
Surrounding	dB(A)	29	43	46	53	46	42	37	28	55
Sound pressure level at 3m (20m² Sabine)	dB(A)	-	-	-	-	-	-	-	-	48
Sound pressure level at 3m free field	dB(A)	-	-	-	-	-	-	-	-	34
Accessories										

## Accessories

- Frequency converter FRQ5SE-6A (37421)
- REE 1 Speed control (5314)
- REV-3POL/03-7.5kW R/Y (33978)
- VKK-200 Back draft damper (1626)
- Frequency converter FRQSE-6A (37419)
- Safety switch 2-pole grey (210679)
- CB 200-2,1 230V/1 Duct heater (5384)
- CB 200-3,0 400V/2 Duct heater (5294)
- CBM 200-5,0 400V/2 Duct heater (5483)
- CBMF 200-5,0 400V/2 Duct heater (12246)
- FFR 200 Filter cassette (1773)
- FK 200 Fast clamp (1611)
- LDC 200-600 Silencer (5194)
- RSK-200 Back draft damper (5602)
- VBC 200-3 Water heating batt (9841)

- RE 1,5 Speed control (5000)
- REU 1.5 Speed control (5004)
- SG 200 Protection guard (5609)
- DTV500A (96807)
- IGK-200 Wall Grid (1633)
- VBF 200 Water heating battery (1732)
- CB 200-3,0 230V/1 Duct heater (5370)
- CB 200-5,0 400V/2 Duct heater (5371)
- CBMF 200-3,0 230V/1 Duct heater (12245)
- CWK 200-3-2,5 Duct cooler, circ (30023)
- FGR 200 Filter cassette (1812)
- LDC 200-300 Silencer (53369)
- LDC 200-900 Silencer (5195)
- VBC 200-2 Water heating batt (5459)

## Documents

- INSTALLATION\_OPERATION\_AND\_MAINTENANCE\_INSTRUCTION\_KV\_DUO\_KVK\_DUO\_KVK\_003\_EN.PDF
- COMMISSIONING\_RECCORD\_FANS\_EN.PDF