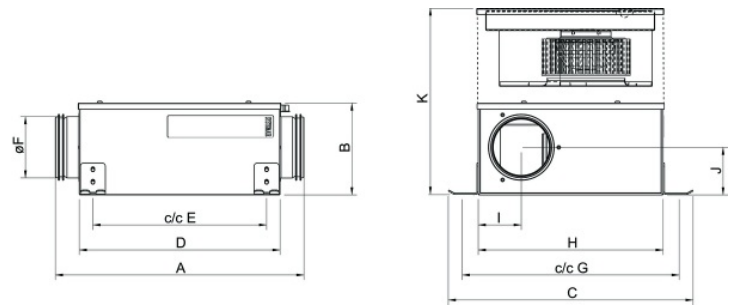




## Technical parameters

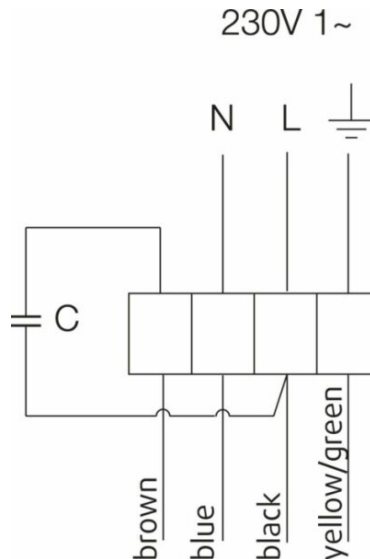
Nominal data	
Voltage (nominal)	230 V
Frequency	50 Hz
Phases	1~
Input power	89 W
Input current	0.393 A
Impeller speed	2,175 rpm
Air flow	max 364 m <sup>3</sup> /h
Capacitance of capacitor	2 μF
Temperature of transported air	max 64 °C
Max temperature of transported air, when speed controlled	64 °C
Sound data	
Sound pressure level at 3m (20m <sup>2</sup> Sabin)	38 dB(A)
Protection/Classification	
Enclosure class, motor	IP44
Insulation class	B
Data according to ErP	
Energy class, Basic unit	F
Energy class, Local demand	C
ErP ready	ErP 2018
Dimensions and weights	
Duct dimension; Circular, inlet	125 mm
Duct dimension; Circular, outlet	125 mm
Weight	5.5 kg
Others	
Duct connection type	Circular
Motor type	AC

## Dimension

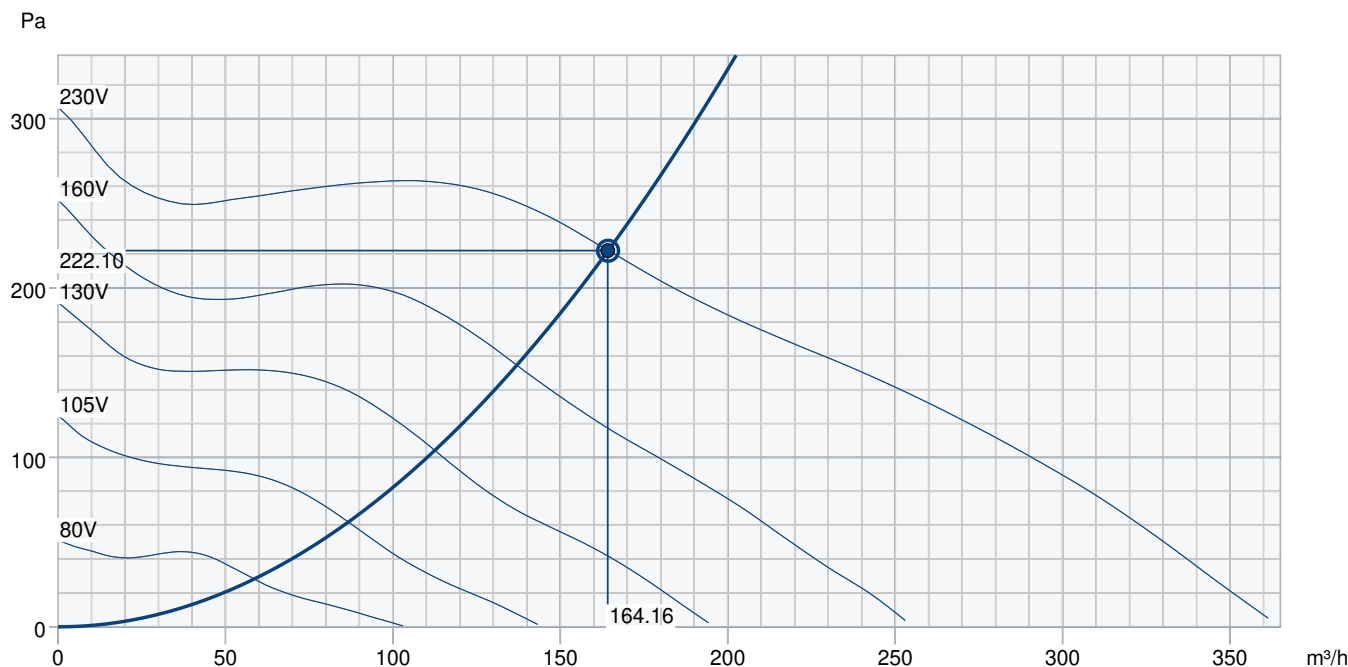


	A	B	C	D	E	øF	G	H	I	J	K
KVK Slim 100	400	150	392	325	278	98	348	300	69	76	300
KVK Slim 125	400	150	392	325	278	123	348	300	84	72	300
KVK Slim 160	400	185	392	325	278	158	348	300	99	90	370
KVK Slim100 EC	400	150	392	325	278	98	348	300	69	76	300
KVK Slim120 EC	400	150	392	325	278	123	348	300	84	72	300
KVK Slim160 EC	400	185	392	325	278	158	348	300	99	90	370

## Wiring



## Performance curve



Hydraulic data										
Required air flow	164 m³/h									
Required static pressure	222 Pa									
Working air flow	164 m³/h									
Working static pressure	222 Pa									
Air density	1.204 kg/m³									
Power	73.7 W									
Fan control - RPM	2,496 rpm									
Current	0.30 A									
SFP	1.616 kW/m³/s									
Control voltage	230.0 V									
Supply voltage	230 V									
Sound power level		63	125	250	500	1k	2k	4k	8k	Total
Inlet	dB(A)	46	62	57	59	57	52	49	43	66
Outlet	dB(A)	47	57	59	60	61	57	49	39	66
Surrounding	dB(A)	19	36	38	39	39	38	33	26	46
Sound pressure level at 3m (20m² Sabine)	dB(A)	-	-	-	-	-	-	-	-	39
Sound pressure level at 3m free field	dB(A)	-	-	-	-	-	-	-	-	25
Accessories										

## Accessories

[Frequency converter FRQ5SE-6A \(37421\)](#)  
[REE 1 Speed control \(5314\)](#)  
[REV-3POL/03-7.5kW R/Y \(33978\)](#)  
[VKK-125 Back draft damper \(1624\)](#)  
[Frequency converter FRQSE-6A \(37419\)](#)  
[Safety switch 2-pole grey \(210679\)](#)  
[CB 125-0,6 230V/1 Duct heater \(5289\)](#)  
[CB 125-1,8 230V/1 Duct heater \(5377\)](#)  
[CBMF 125-1,2 230V/1 Duct heater \(12242\)](#)  
[FFR 125 Filter cassette \(1768\)](#)  
[FK 125 Fast clamp \(1608\)](#)  
[LDC 125-300 Silencer \(53722\)](#)  
[LDC 125-900 Silencer \(5191\)](#)  
[VBC 125-2 Water heating batt \(5457\)](#)

[RE 1,5 Speed control \(5000\)](#)  
[REU 1.5 Speed control \(5004\)](#)  
[SG 125 Protection guard \(5607\)](#)  
[DTV500A \(96807\)](#)  
[IGK-125 Wall Grid \(1631\)](#)  
[VBC 125-3 Water heating batt \(9839\)](#)  
[CB 125-1,2 230V/1 Duct heater \(5290\)](#)  
[CBM 125-1,2 230V/1 Duct heater \(5480\)](#)  
[CWK 125-3-2,5 Duct cooler,circ \(30021\)](#)  
[FGR 125 Filter cassette \(1804\)](#)  
[LDC 125-1200 Silencer \(5997\)](#)  
[LDC 125-600 Silencer \(5190\)](#)  
[RSK-125 Back draft damper \(5598\)](#)  
[VBF 125 Water heating battery \(1730\)](#)

## Documents

[INSTALLATION\\_OPERATION\\_AND\\_MAINTENANCE\\_INSTRUCTION\\_KV\\_DUO\\_KVK\\_DUO\\_KVK\\_003\\_EN.PDF](#)  
[COMMISSIONING\\_RECCORD\\_FANS\\_EN.PDF](#)