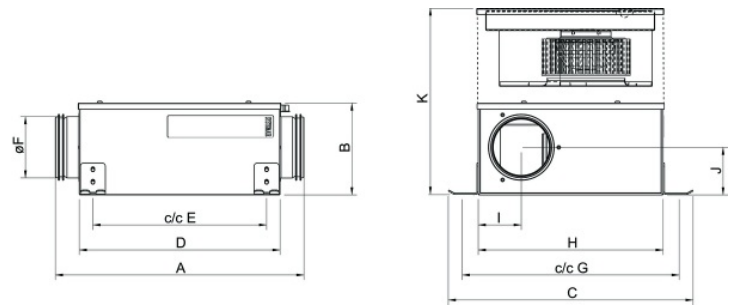




Technical parameters

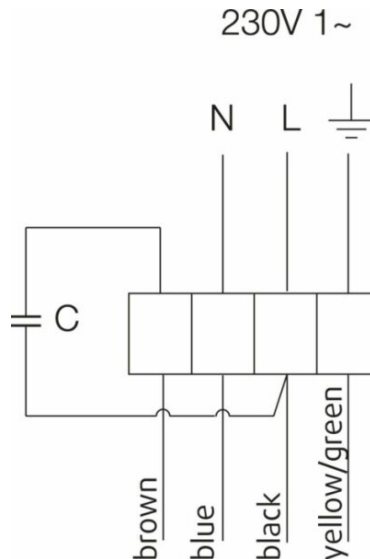
Nominal data	
Voltage (nominal)	230 V
Frequency	50 Hz
Phases	1~
Input power	78 W
Input current	0.346 A
Impeller speed	2.438 rpm
Air flow	max 280 m ³ /h
Capacitance of capacitor	2 μF
Temperature of transported air	max 60 °C
Max temperature of transported air, when speed controlled	60 °C
Sound data	
Sound pressure level at 3m (20m ² Sabin)	40 dB(A)
Protection/Classification	
Enclosure class, motor	IP44
Insulation class	B
Data according to ErP	
Energy class, Basic unit	E
Energy class, Local demand	C
ErP ready	ErP 2016; ErP 2018
Dimensions and weights	
Duct dimension; Circular, inlet	100 mm
Duct dimension; Circular, outlet	100 mm
Weight	5.6 kg
Others	
Duct connection type	Circular
Motor type	AC

Dimension

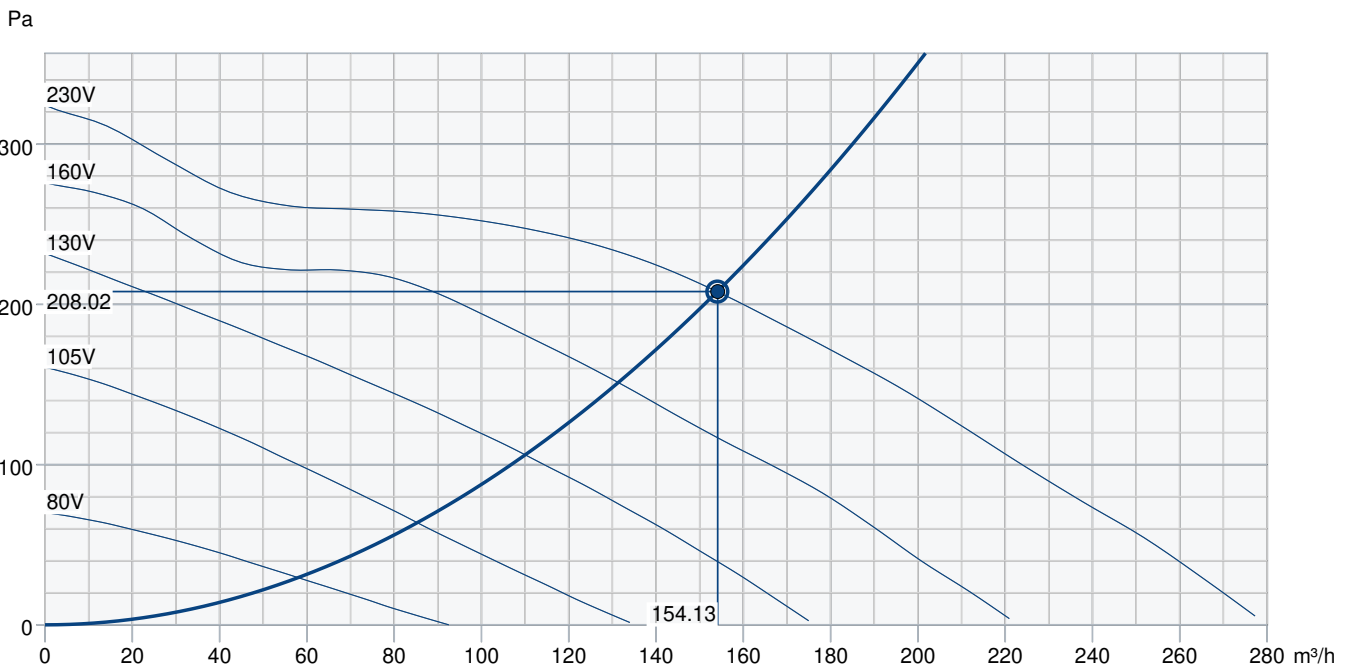


	A	B	C	D	E	øF	G	H	I	J	K
KVK Slim 100	400	150	392	325	278	98	348	300	69	76	300
KVK Slim 125	400	150	392	325	278	123	348	300	84	72	300
KVK Slim 160	400	185	392	325	278	158	348	300	99	90	370
KVK Slim100 EC	400	150	392	325	278	98	348	300	69	76	300
KVK Slim120 EC	400	150	392	325	278	123	348	300	84	72	300
KVK Slim160 EC	400	185	392	325	278	158	348	300	99	90	370

Wiring



Performance curve



Hydraulic data										
Required air flow	154 m³/h									
Required static pressure	208 Pa									
Working air flow	154 m³/h									
Working static pressure	208 Pa									
Air density	1.204 kg/m³									
Power	73.2 W									
Fan control - RPM	2,551 rpm									
Current	0.30 A									
SFP	1.710 kW/m³/s									
Control voltage	230.0 V									
Supply voltage	230 V									
Sound power level		63	125	250	500	1k	2k	4k	8k	Total
Inlet	dB(A)	49	62	58	55	52	47	43	38	64
Outlet	dB(A)	57	62	59	61	63	57	50	45	68
Surrounding	dB(A)	21	36	41	39	42	37	28	23	47
Sound pressure level at 3m (20m² Sabine)	dB(A)	-	-	-	-	-	-	-	-	40
Sound pressure level at 3m free field	dB(A)	-	-	-	-	-	-	-	-	26
Accessories										

Accessories

- Frequency converter FRQ5SE-6A (37421)
- REE 1 Speed control (5314)
- REV-3POL/03-7.5kW R/Y (33978)
- VKK-100 Back draft damper (1623)
- Frequency converter FRQSE-6A (37419)
- Safety switch 2-pole grey (210679)
- CB 100-0,4 230V/1 Duct heater (5288)
- CBM 100-0,6 230V/1 Duct heater (5479)
- FFR 100 Filter cassette (1766)
- FK 100 Fast clamp (1607)
- LDC 100-300 Silencer (8180)
- LDC 100-900 Silencer (5189)
- VBC 100-2 Water heating batt (5456)
- VK-10 Louvre shutter (87682)

- RE 1,5 Speed control (5000)
- REU 1.5 Speed control (5004)
- SG 100 Protection guard (5606)
- DTV500A (96807)
- IGK-100 Wall Grid (1630)
- VBC 125-3 Water heating batt (9839)
- CB 100-0,6 230V/1 Duct heater (5376)
- CWK 100-3-2,5 Duct cooler,circ (30019)
- FGR 100 Filter cassette (1802)
- LDC 100-1200 Silencer (5996)
- LDC 100-600 Silencer (5188)
- RSK-100 Back draft damper (5597)
- VBF 100 Water heating battery (1724)
- IGC-100 Intake grille (76874)

Documents

- INSTALLATION_OPERATION_AND_MAINTENANCE_INSTRUCTION_KV_DUO_KVK_DUO_KVK_003_EN.PDF
- COMMISSIONING_RECCORD_FANS_EN.PDF