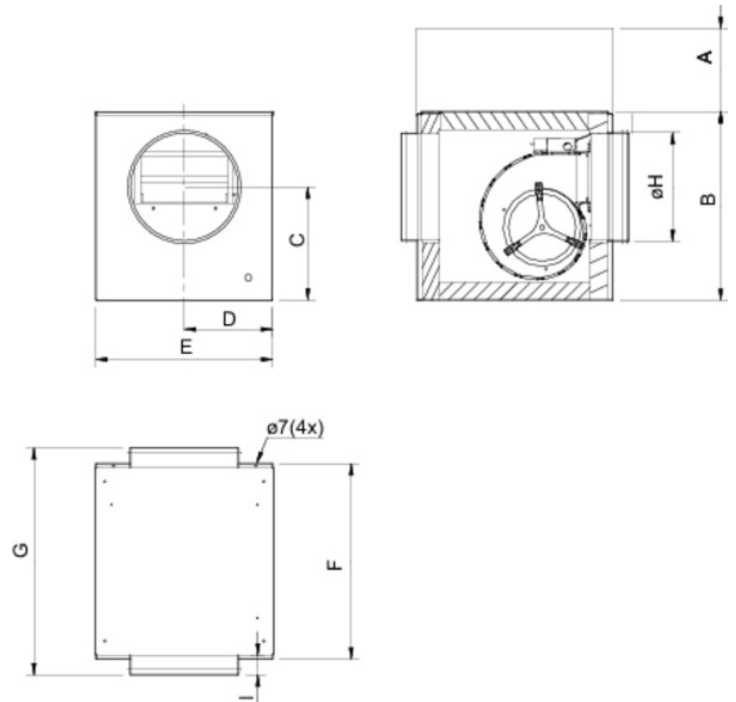




Technical parameters

Nominal data	
Voltage (nominal)	230 V
Frequency	50 Hz
Phases	1~
Input power	266 W
Input current	1.18 A
Impeller speed	1,846 rpm
Air flow	max 1,066 m³/h
Minimum static back pressure	30 Pa
Capacitance of capacitor	4 µF
Temperature of transported air	max 41 °C
Max temperature of transported air, when speed controlled	41 °C
Sound data	
Sound pressure level at 3m (20m² Sabin)	40 dB(A)
Protection/Classification	
Enclosure class, motor	IP44
Insulation class	F
Data according to ErP	
Energy class, Basic unit	F
Energy class, Local demand	D
ErP ready	ErP 2016; ErP 2018
Dimensions and weights	
Duct dimension; Circular, inlet	250 mm
Duct dimension; Circular, outlet	250 mm
Weight	16.56 kg
Others	
Duct connection type	Circular
Motor type	AC

Dimension

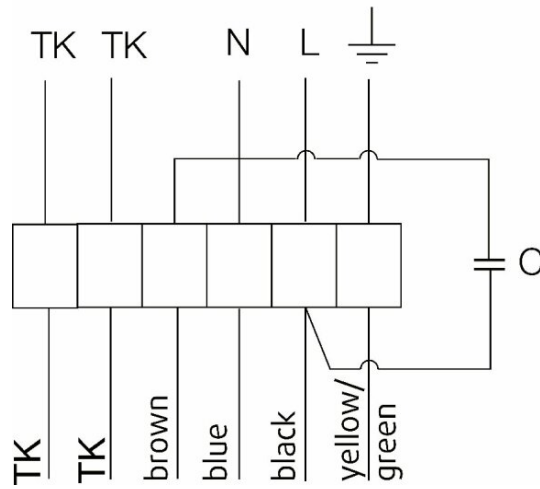


* = Free area

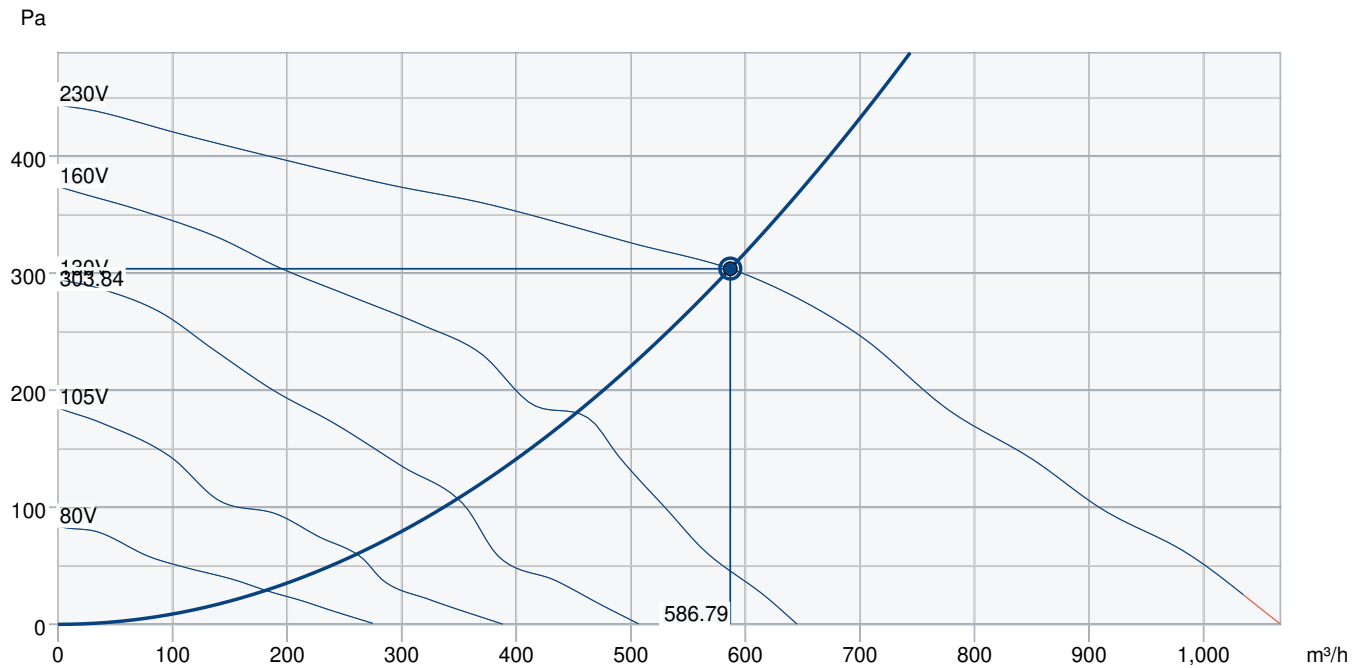
	A	B	C	D	E	F	G	øH	I
KVK 250	380	385	198	228	460	400	490	250	40

Wiring

230V 1~



Performance curve



Hydraulic data

Required air flow	587 m³/h
Required static pressure	304 Pa
Working air flow	587 m³/h
Working static pressure	304 Pa
Air density	1.204 kg/m³
Power	177.5 W
Fan control - RPM	2,506 rpm
Current	0.78 A
SFP	1.089 kW/m³/s
Control voltage	230.0 V
Supply voltage	230 V

Sound power level		63	125	250	500	1k	2k	4k	8k	Total
Inlet	dB(A)	60	59	61	55	52	51	46	40	66
Outlet	dB(A)	61	70	66	68	69	69	65	59	76
Surrounding	dB(A)	37	35	44	39	37	38	32	23	47
Sound pressure level at 3m (20m² Sabine)	dB(A)	-	-	-	-	-	-	-	-	40
Sound pressure level at 3m free field	dB(A)	-	-	-	-	-	-	-	-	26

Accessories

Accessories

Frequency converter FRQ5SE-6A (37421)
REPT 6 Digital regulator (5698)
REU 1.5 Speed control (5004)
RTRE 1,5 Speed control (5008)
VKK-250 Back draft damper (1627)
CO2RT-R-D Transmitter (6993)
HR1 Room Humidistat (215150)
RT 0-30 Room Thermostat (5151)
T 120 Timer (5165)
CB 250-9,0 400V/3 Duct heater (5373)
CBMF 250-3,0 230V/1 Duct heater (12248)
CWK 250-3-2,5 Duct cooler,circ (30024)
FGR 250 Filter cassette (1815)
LDC 250-900 Silencer (5196)
VBC 250-2 Water heating batt (5460)
VBF 250 Water heating battery (1733)

REE 2 Speed control (5316)
RETP 6 Temp/Pressure regulator (32293)
REV-5POL/05-7,5kW R/Y (33979)
SG 250 Protection guard (5610)
CB 250-6,0 400V/2 Duct heater (5372)
Frequency converter FRQSE-6A (37419)
Presence detector/IR24-P (6995)
Safety switch 2-pole grey (210679)
CB 250-3,0 230V/1 Duct heater (5385)
CBM 250-6,0 400V/2 Duct heater (9089)
CBMF 250-6,0 400V/2 Duct heater (12249)
FFR 250 Filter cassette (1776)
FK 250 Fast clamp (1612)
RSK-250 Back draft damper (5603)
VBC 250-3 Water heating batt (9843)
VK-25 Louvre shutter (5640)

Documents

INSTALLATION__OPERATION_AND_MAINTENANCE_INSTRUCTION_KV_DUO__KVK_DUO__KVK_003__EN.PDF
Semko Certificate KVK 1116708.pdf
COMMISSIONING_RECCORD_FANS__EN.PDF