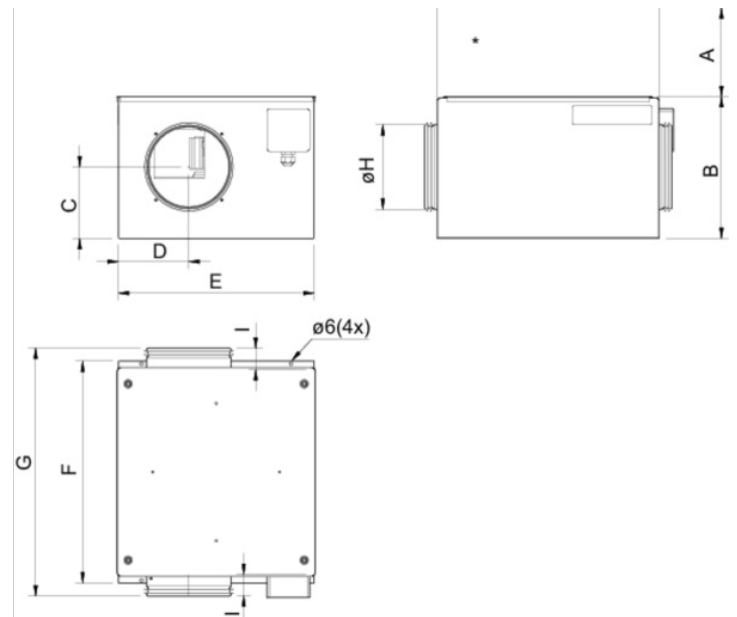




Technical parameters

Nominal data	
Voltage (nominal)	230 V
Frequency	50 Hz
Phases	1~
Input power	93 W
Input current	0.409 A
Impeller speed	1,978 rpm
Air flow	max 382 m³/h
Minimum static back pressure	0 Pa
Capacitance of capacitor	2 µF
Temperature of transported air	max 68 °C
Max temperature of transported air, when speed controlled	68 °C
Sound data	
Sound pressure level at 3m (20m² Sabin)	38 dB(A)
Protection/Classification	
Enclosure class, motor	IP44
Insulation class	B
Data according to ErP	
Energy class, Basic unit	E
Energy class, Local demand	C
ErP ready	ErP 2016; ErP 2018
Dimensions and weights	
Duct dimension; Circular, inlet	125 mm
Duct dimension; Circular, outlet	125 mm
Weight	10.7 kg
Others	
Duct connection type	Circular
Motor type	AC

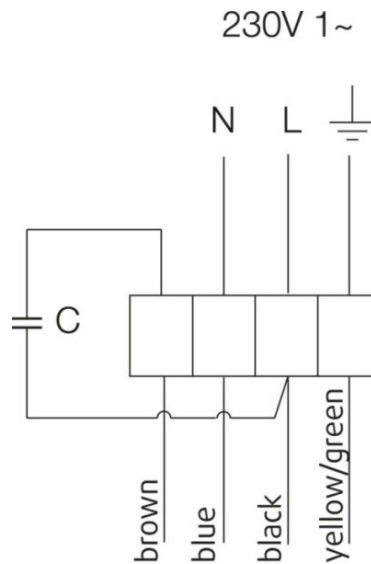
Dimension



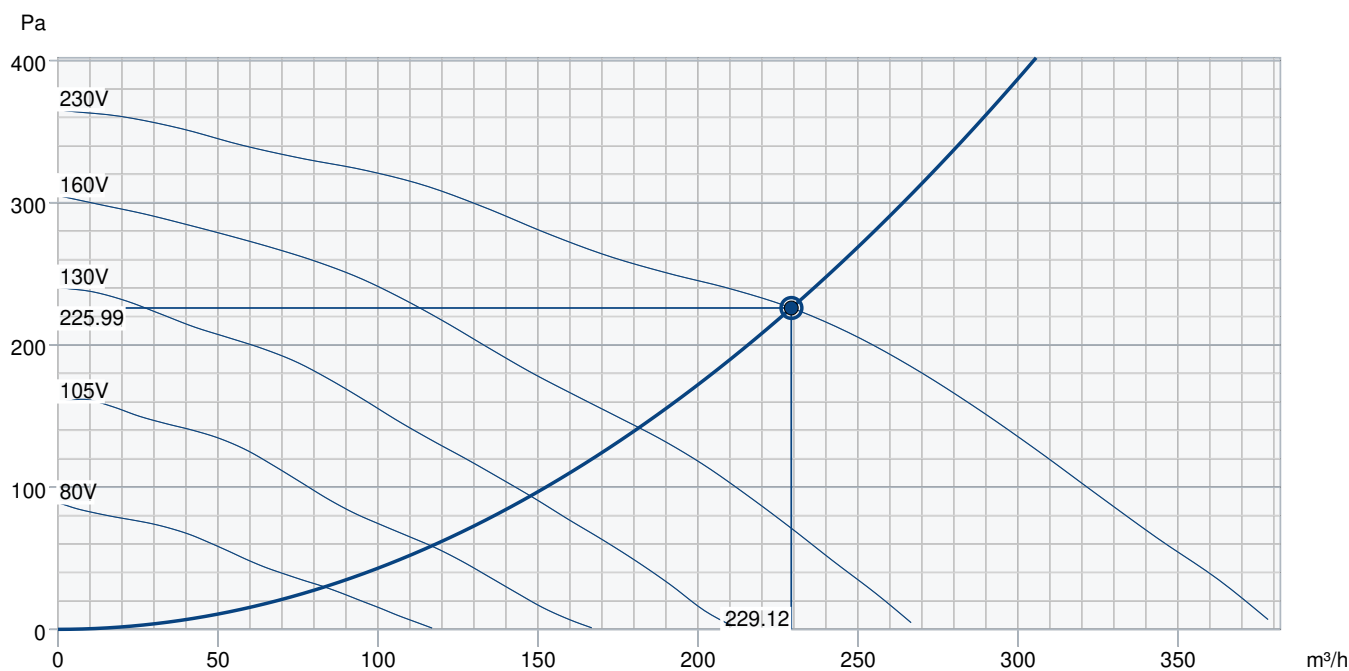
* = Free area

KVK	A	B	C	D	E	F	G	øH	I
125	230	266	151	114	367	415	464	125	40

Wiring



Performance curve



Hydraulic data

Required air flow	229 m ³ /h
Required static pressure	226 Pa
Working air flow	229 m ³ /h
Working static pressure	226 Pa
Air density	1.204 kg/m ³
Power	81.3 W
Fan control - RPM	2,310 rpm
Current	0.40 A
SFP	1.277 kW/m ³ /s
Control voltage	230.0 V
Supply voltage	230 V

Sound power level		63	125	250	500	1k	2k	4k	8k	Total
Inlet	dB(A)	38	56	51	45	43	40	35	29	58
Outlet	dB(A)	51	62	58	61	67	61	54	48	70
Surrounding	dB(A)	17	33	40	41	36	35	25	16	45
Sound pressure level at 3m (20m ² Sabine)	dB(A)	-	-	-	-	-	-	-	-	38
Sound pressure level at 3m free field	dB(A)	-	-	-	-	-	-	-	-	24

Accessories

Accessories

Frequency converter FRQ5SE-6A (37421)
REE 1 Speed control (5314)
REU 1.5 Speed control (5004)
SG 125 Protection guard (5607)
CO2RT-R-D Transmitter (6993)
HR1 Room Humidistat (215150)
Presence detector/IR24-P (6995)
Safety switch 2-pole grey (210679)
VBC 125-3 Water heating batt (9839)
CB 125-1,2 230V/1 Duct heater (5290)
CBM 125-1,2 230V/1 Duct heater (5480)
CWK 125-3-2,5 Duct cooler,circ (30021)
FGR 125 Filter cassette (1804)
LDC 125-1200 Silencer (5997)
LDC 125-600 Silencer (5190)
RSK-125 Back draft damper (5598)
THS 160 Hood w.cover pl. black (1839)
VBF 125 Water heating battery (1730)

RE 1,5 Speed control (5000)
REPT 6 Digital regulator (5698)
REV-3POL/03-7,5kW R/Y (33978)
VKK-125 Back draft damper (1624)
Frequency converter FRQSE-6A (37419)
IGK-125 Wall Grid (1631)
RT 0-30 Room Thermostat (5151)
T 120 Timer (5165)
CB 125-0,6 230V/1 Duct heater (5289)
CB 125-1,8 230V/1 Duct heater (5377)
CBMF 125-1,2 230V/1 Duct heater (12242)
FFR 125 Filter cassette (1768)
FK 125 Fast clamp (1608)
LDC 125-300 Silencer (53722)
LDC 125-900 Silencer (5191)
THB 160 Hood w.cover pl. black (1764)
VBC 125-2 Water heating batt (5457)

Documents

INSTALLATION_OPERATION_AND_MAINTENANCE_INSTRUCTION_KV_DUO__KVK_DUO__KVK_003__EN.PDF
Semko Certificate KVK 1116708.pdf
COMMISSIONING_RECCORD_FANS__EN.PDF