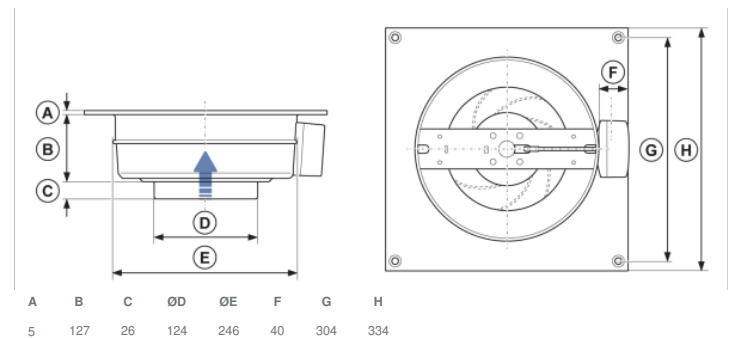


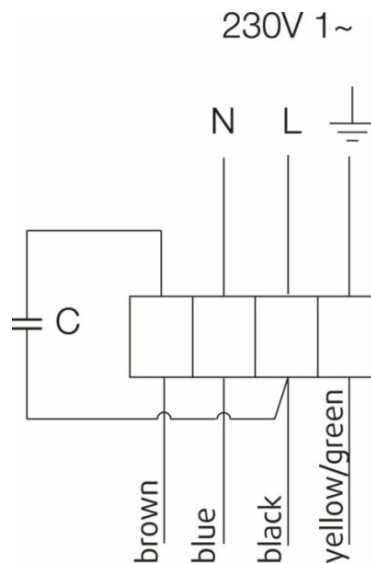
## Technical parameters

Nominal data	
Voltage (nominal)	230 V
Frequency	50 Hz
Phases	1~
Input power	52 W
Input current	0.228 A
Impeller speed	2,387 rpm
Air flow	max 385 m <sup>3</sup> /h
Capacitance of capacitor	1.5 μF
Temperature of transported air	max 70 °C
Max temperature of transported air, when speed controlled	70 °C
Sound data	
Sound pressure level at 3m (20m <sup>2</sup> Sabin)	41 dB(A)
Protection/Classification	
Enclosure class, motor	IP44
Insulation class	B
Data according to ErP	
Energy class, Basic unit	E
Energy class, Local demand	C
ErP ready	ErP 2016; ErP 2018
Dimensions and weights	
Duct dimension; Circular, inlet	125 mm
Duct dimension; Circular, outlet	125 mm
Weight	2.8 kg
Others	
Duct connection type	Circular
Motor type	AC

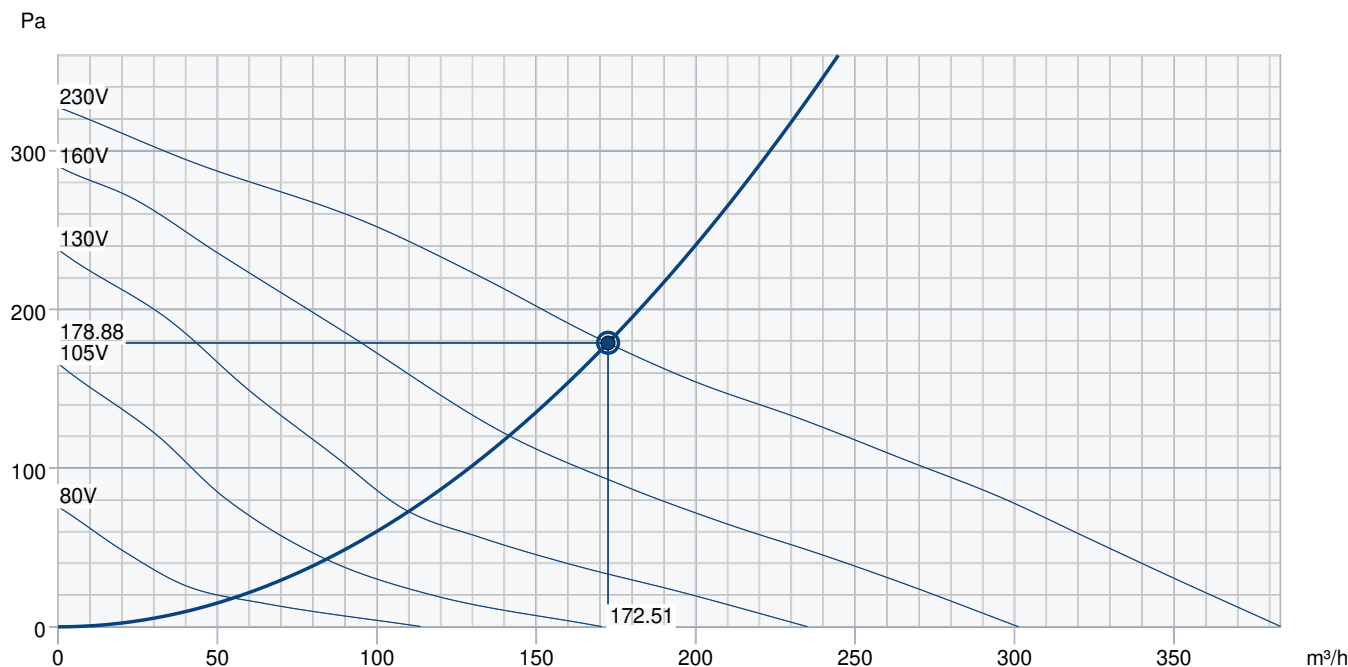
## Dimension



## Wiring



## Performance curve



Hydraulic data										
Required air flow	173 m³/h									
Required static pressure	179 Pa									
Working air flow	173 m³/h									
Working static pressure	179 Pa									
Air density	1.204 kg/m³									
Power	48.9 W									
Fan control - RPM	2,477 rpm									
Current	0.20 A									
SFP	1.020 kW/m³/s									
Control voltage	230.0 V									
Supply voltage	230 V									
Sound power level		63	125	250	500	1k	2k	4k	8k	Total
Inlet	dB(A)	52	58	66	60	61	59	51	41	69
Outlet	dB(A)	54	58	62	68	63	62	54	44	71
Surrounding	dB(A)	29	23	27	40	40	42	35	24	46
Sound pressure level at 3m (20m² Sabine)	dB(A)	-	-	-	-	-	-	-	-	39
Sound pressure level at 3m free field	dB(A)	-	-	-	-	-	-	-	-	25
Accessories										

## Accessories

RE 1,5 Speed control (5000)

REPT 6 Digital regulator (5698)

REV-3POL/03-7,5kW R/Y (33978)

VKK-125 Back draft damper (1624)

DTV500A (96807)

IGK-125 Wall Grid (1631)

RT 0-30 Room Thermostat (5151)

T 120 Timer (5165)

CBM 125-1,2 230V/1 Duct heater (5480)

CWK 125-3-2,5 Duct cooler.circ (30021)

FGR 125 Filter cassette (1804)

LDC 125-1200 Silencer (5997)

LDC 125-600 Silencer (5190)

RSK-125 Back draft damper (5598)

VK-25 Louvre shutter (5640)

REE 1 Speed control (5314)

REU 1.5 Speed control (5004)

SG 125 Protection guard (5607)

CO2RT-R-D Transmitter (6993)

HR1 Room Humidistat (215150)

Presence detector/IR24-P (6995)

Safety switch 2-pole grey (210679)

VBC 125-3 Water heating batt (9839)

CBMF 125-1,2 230V/1 Duct heater (12242)

FFR 125 Filter cassette (1768)

FK 125 Fast clamp (1608)

LDC 125-300 Silencer (53722)

LDC 125-900 Silencer (5191)

VBC 125-2 Water heating batt (5457)

## Documents

INSTALLATION\_OPERATION\_AND\_MAINTENANCE\_INSTRUCTION\_K\_KV\_P100807\_EN\_008.PDF

COMMISSIONING\_RECORD\_FANS\_EN.PDF