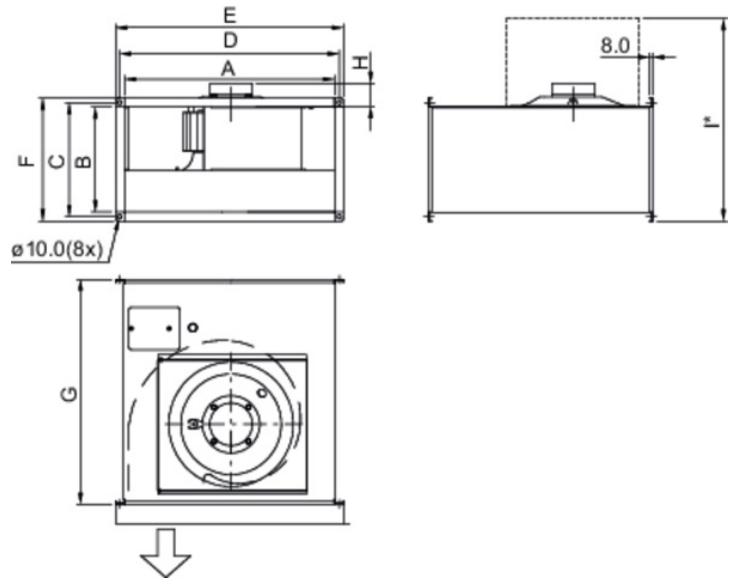




Technical parameters

Nominal data	
Voltage (nominal)	400 V
Frequency	50 Hz
Phases	3~
Input power	2,799 W
Input current	5.12 A
Impeller speed	828 rpm
Air flow	max 7,870 m ³ /h
Minimum static back pressure	20 Pa
Temperature of transported air	max 70 °C
Max temperature of transported air, when speed controlled	70 °C
Sound data	
Sound pressure level at 3m (20m ² Sabin)	59 dB(A)
Protection/Classification	
Enclosure class, motor	IP54
Insulation class	F
Data according to ErP	
ErP ready	ErP 2018
Dimensions and weights	
Duct dimension, inlet (height x width)	500 x 800 mm
Duct dimension, outlet (height x width)	500 x 800 mm
Weight	65.8 kg
Others	
Duct connection type	Rectangular
Motor type	AC

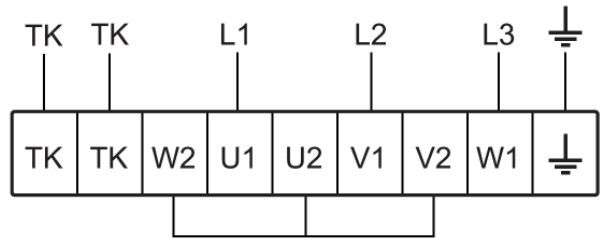
Dimension



	A	B	C	D	E	F	G	H	I*
KT 40-20	398	198	220	420	440	240	502	32	530
KT 50-25	498	248	270	520	540	290	532	68	610
KT 50-30	498	298	320	520	540	340	562	68	695
KT 60-30	598	298	320	620	640	340	642	89	715
KT 60-35	598	348	370	620	640	390	717	92	805
KT 70-40-4	698	398	420	720	740	440	787	92	900
KT 70-40-6/8	698	398	420	720	740	440	787	92	900
KT 80-50	798	497	520	820	840	540	880	113	1090
KT 100-50	998	497	520	1020	1040	540	980	113	1140

I* = Dimension with fully open hatch.

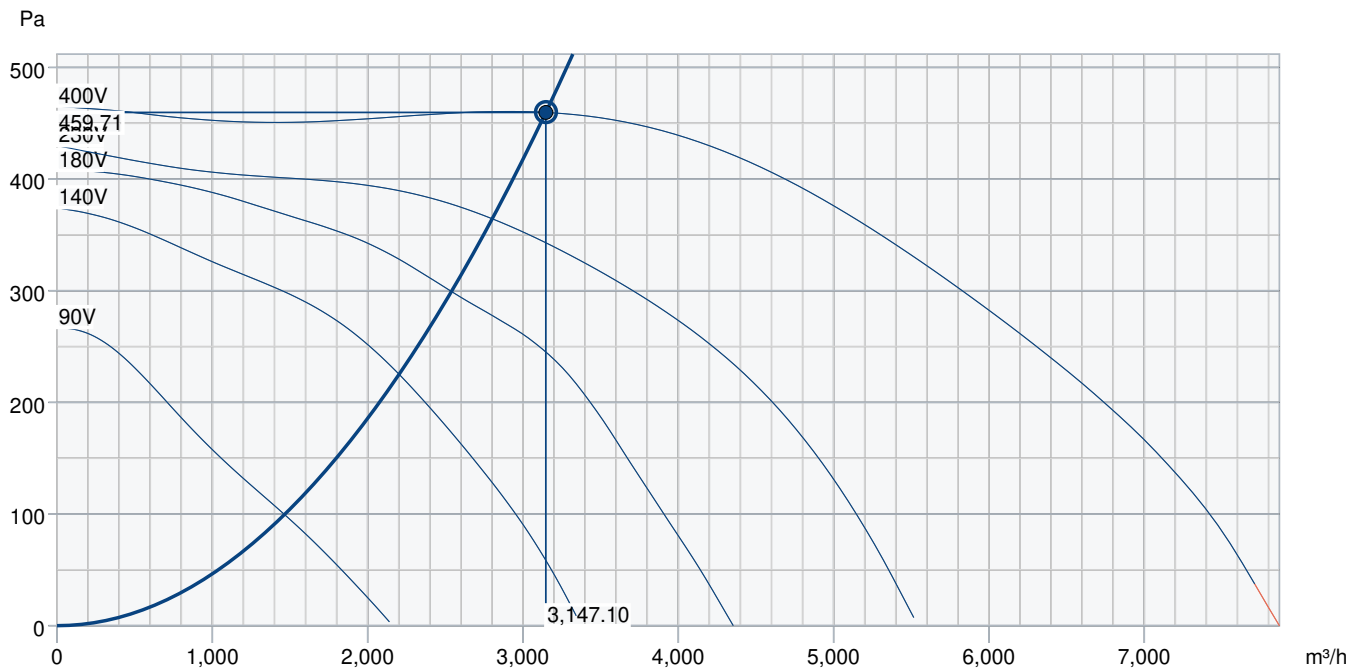
400V 3~



230V 3~



Performance curve



Hydraulic data										
Required air flow										3,148 m³/h
Required static pressure										460 Pa
Working air flow										3,147 m³/h
Working static pressure										460 Pa
Air density										1.204 kg/m³
Power										963.6 W
Fan control - RPM										953 rpm
Current										2.60 A
SFP										1.102 kW/m³/s
Control voltage										400.0 V
Supply voltage										400 V
Sound power level		63	125	250	500	1k	2k	4k	8k	Total
Inlet	dB(A)	65	67	64	69	72	71	67	62	77
Outlet	dB(A)	63	67	69	77	76	75	72	66	82
Surrounding	dB(A)	51	57	58	62	60	55	51	50	67
Sound pressure level at 3m (20m² Sabine)	dB(A)	-	-	-	-	-	-	-	-	60
Sound pressure level at 3m free field	dB(A)	-	-	-	-	-	-	-	-	46
Accessories										

Accessories

Frequency converter FRQ5S-10A (36234)

Motor protect. switch S-DT 16 (161206)

REV-5POL/07-7.5kW R/Y (33980)

RTRDU 7 Speed contr. Systemair (5947)

CO2RT-R-D Transmitter (6993)

Frequency converter FRQS-10A (36232)

Presence detector/IR24-P (6995)

Safety switch 3-pole grey (210680)

DS 80-50 Flexible connection (1553)

FFK 80-50 filter cassette (30236)

PGK 80-50-3-2,0 Duct cooler (6619)

RB 80-50/68-4 400V/3 Duct heat (9648)

VBR 80-50-3 Water heating batt (5477)

TUNE-S-800x500-M0 (421365)

TUNE-S-800x500-M5 (421370)

GFL 80-50 Counter flange (2711)

Motor protect. switch S-DT 16E (161207)

RTRD 7 speed control Systemair (5943)

WSG 80-50 weather prot. guard (30595)

DTV500A (96807)

HR1 Room Humidistat (215150)

RT 0-30 Room Thermostat (5151)

T 120 Timer (5165)

DXRE 80-50-3-2,5 Duct cooler (7958)

LDR 80-50 Silencer (5075)

RB 80-50/45-3 400V/3 Duct heat (9647)

VBR 80-50-2 Water heating batt (5469)

Room hygrostat HR-S (286251)

TUNE-S-800x500-M4 (421369)

Documents

INSTALLATION_OPERATION_AND_MAINTENANCE_INSTRUCTION_KE_KT_RS_RSI_EN_002.PDF

COMMISSIONING_RECORD_FANS_EN.PDF