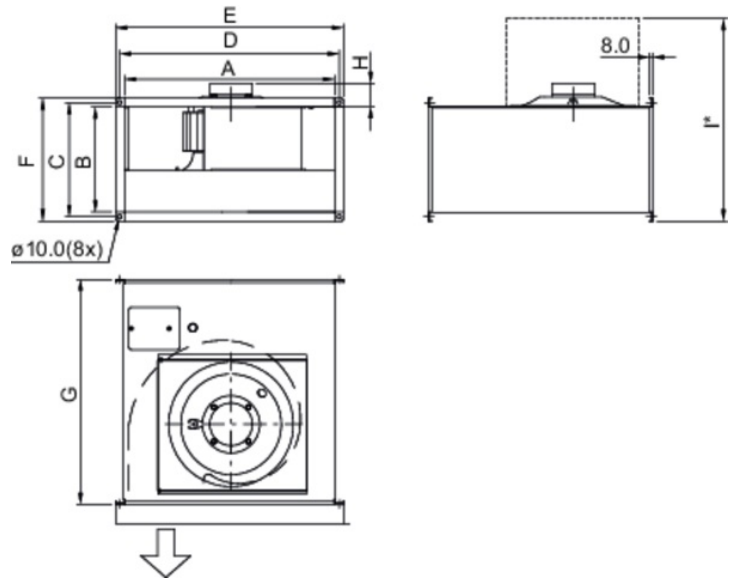




Technical parameters

Nominal data	
Voltage (nominal)	400 V
Frequency	50 Hz
Phases	3~
Input power	2,462 W
Input current	4.01 A
Impeller speed	1,181 rpm
Air flow	max 4,903 m ³ /h
Temperature of transported air	max 64 °C
Max temperature of transported air, when speed controlled	64 °C
Sound data	
Sound pressure level at 3m (20m ² Sabin)	60 dB(A)
Protection/Classification	
Enclosure class, motor	IP54
Insulation class	F
Data according to ErP	
ErP ready	ErP 2018
Dimensions and weights	
Duct dimension, inlet (height x width)	350 x 600 mm
Duct dimension, outlet (height x width)	350 x 600 mm
Weight	37.2 kg
Others	
Motor type	AC

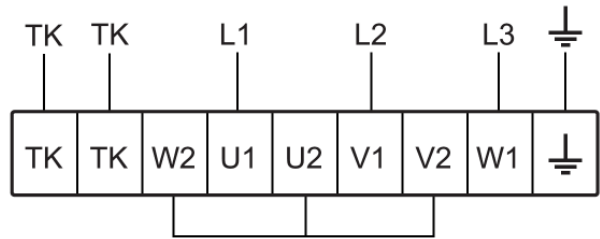
Dimension



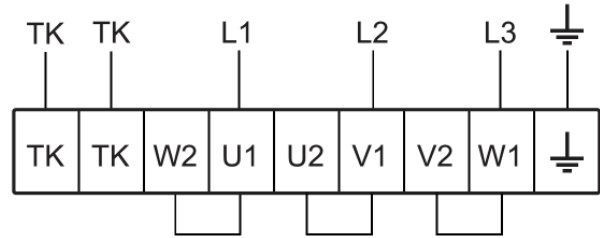
	A	B	C	D	E	F	G	H	I*
KT 40-20	398	198	220	420	440	240	502	32	530
KT 50-25	498	248	270	520	540	290	532	68	610
KT 50-30	498	298	320	520	540	340	562	68	695
KT 60-30	598	298	320	620	640	340	642	89	715
KT 60-35	598	348	370	620	640	390	717	92	805
KT 70-40-4	698	398	420	720	740	440	787	92	900
KT 70-40-6/8	698	398	420	720	740	440	787	92	900
KT 80-50	798	497	520	820	840	540	880	113	1090
KT 100-50	998	497	520	1020	1040	540	980	113	1140

I* = Dimension with fully open hatch.

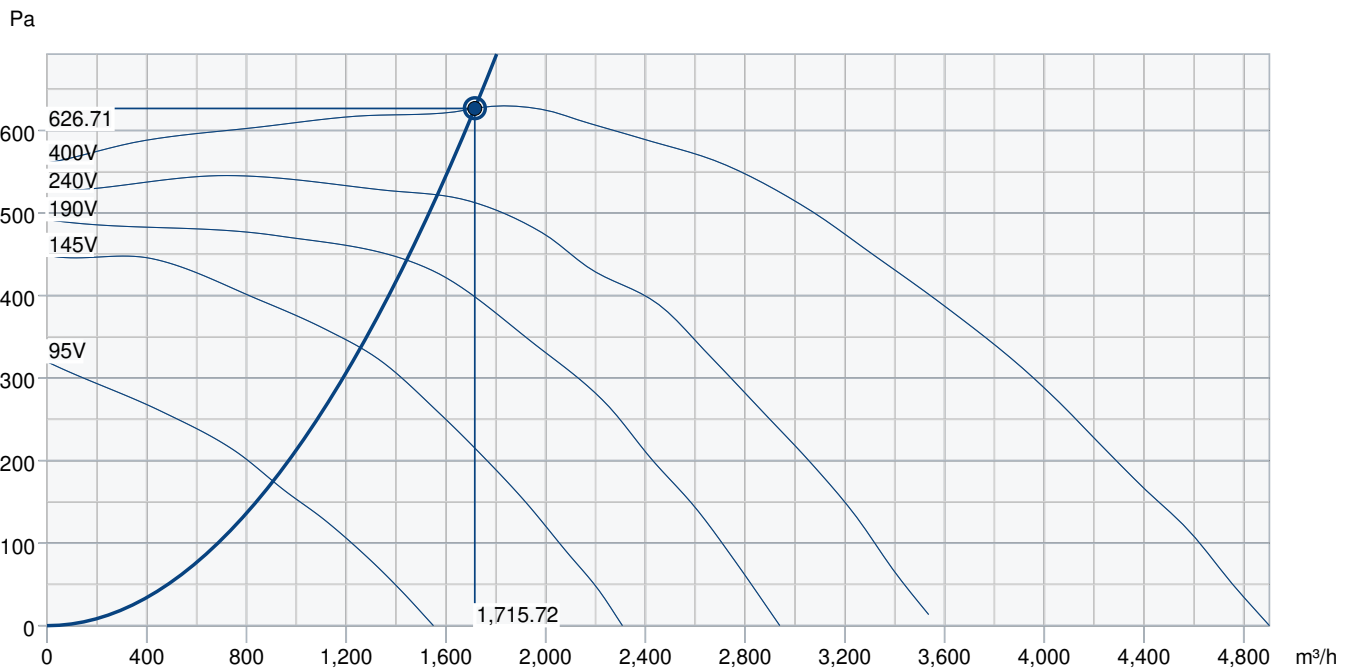
400V 3~



230V 3~



Performance curve



Hydraulic data										
Required air flow										1,716 m³/h
Required static pressure										627 Pa
Working air flow										1,716 m³/h
Working static pressure										627 Pa
Air density										1.204 kg/m³
Power										721.0 W
Fan control - RPM										1,424 rpm
Current										1.57 A
SFP										1.513 kW/m³/s
Control voltage										400.0 V
Supply voltage										400 V
Sound power level		63	125	250	500	1k	2k	4k	8k	Total
Inlet	dB(A)	68	75	65	65	73	71	69	65	79
Outlet	dB(A)	66	74	69	74	79	76	75	68	83
Surrounding	dB(A)	52	65	54	52	59	56	53	48	67
Sound pressure level at 3m (20m² Sabine)	dB(A)	-	-	-	-	-	-	-	-	60
Sound pressure level at 3m free field	dB(A)	-	-	-	-	-	-	-	-	46
Accessories										

Accessories

Frequency converter FRQ5S-10A (36234)

Motor protect. switch S-DT 16 (161206)

REV-5POL/07-7.5kW R/Y (33980)

RTRDU 7 Speed contr. Systemair (5947)

CO2RT-R-D Transmitter (6993)

Frequency converter FRQS-10A (36232)

Presence detector/IR24-P (6995)

Safety switch 3-pole grey (210680)

DS 60-35 Flexible connection (1549)

FFK 60-35 Filter cassette rect (1761)

PGK 60-35-3-2,0 Duct cooler (6612)

RB 60-35/45-3 400V/3 Duct heat (9644)

VBR 60-35-2 Water heating batt (5467)

Room hygrostat HR-S (286251)

GFL 60-35 Counter flange (2709)

Motor protect. switch S-DT 16E (161207)

RTRD 7 speed control Systemair (5943)

WSG 60-35 weather prot. guard (30593)

DTV500A (96807)

HR1 Room Humidistat (215150)

RT 0-30 Room Thermostat (5151)

T 120 Timer (5165)

DXRE 60-35-3-2,5 Duct cooler (7956)

LDR 60-35 Silencer (5073)

RB 60-35/27-2 400V/3 Duct heat (9643)

RBM 60-35/27 400V/3 Duct heate (5454)

VBR 60-35-4 Water heating batt (5475)

Documents

INSTALLATION_OPERATION_AND_MAINTENANCE_INSTRUCTION_KE_KT_RS_RSI_EN_002.PDF

COMMISSIONING_RECORD_FANS_EN.PDF