

This product is discontinued

This product is discontinued

This product was replaced by [KBR 355EC](#)

[Find more details in our online catalogue](#)



Certifications



Green Ventilation

Technical parameters

Nominal data

Voltage (nominal)	230	V
Frequency	50; 60	Hz
Phases	1~	
Input power	498	W
Input power kW	0.498	kW
Input current	2.17	A
Impeller speed	1,495	rpm
Air flow	max 3,589	m³/h
Temperature of transported air	max 120	°C
Max temperature of transported air, when speed controlled	120	°C

Sound data

Sound pressure level at 10m (free field)	24	dB(A)
Sound pressure level at 4m (free field)	32	dB(A)

Protection/Classification

Enclosure class, motor	IP55
Insulation class	B

Dimensions and weights

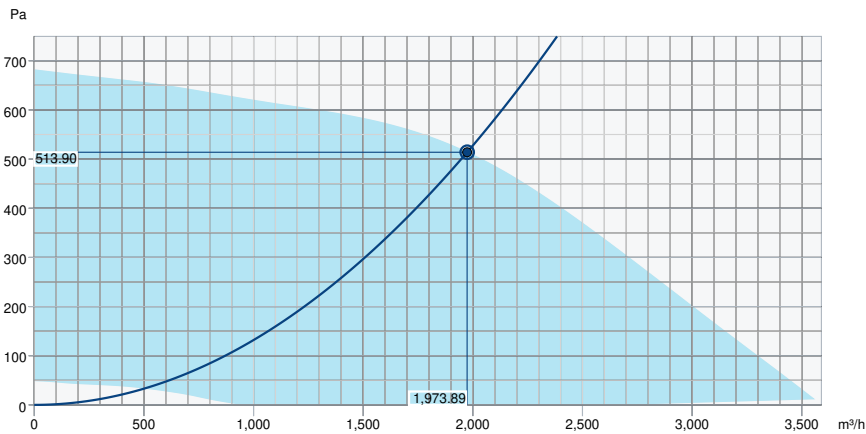
Duct dimension; Circular, inlet	355	mm
Duct dimension; Circular, outlet	355	mm
Weight	68	kg

Others

Duct connection type	Circular
Motor type	EC

Performance

Performance curve

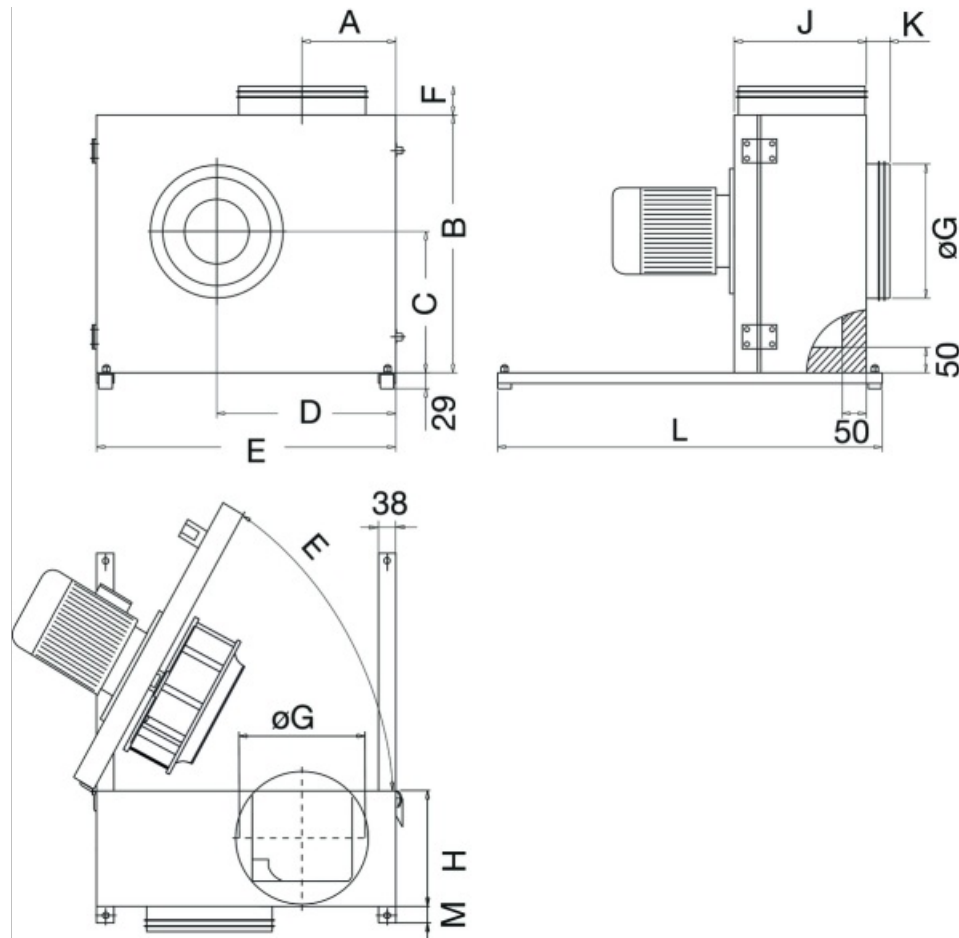


Hydraulic data

Required air flow	1,974 m³/h
Required static pressure	514 Pa
Working air flow	1,974 m³/h
Working static pressure	514 Pa
Air density	1.204 kg/m³
Power	484.9 W
Fan control - RPM	1,506 rpm
Current	2.12 A
SFP	0.884 kW/m³/s
Control voltage	10.0 V
Supply voltage	230 V

Sound power level		63	125	250	500	1k	2k	4k	8k	Total
Inlet	dB(A)	56	65	70	69	64	62	60	55	74
Outlet	dB(A)	61	66	75	68	66	62	59	55	77
Surrounding	dB(A)	26	42	46	45	45	47	50	45	55
Sound pressure level at 3m (20m² Sabine)	dB(A)	-	-	-	-	-	-	-	-	48
Sound pressure level at 3m free field	dB(A)	-	-	-	-	-	-	-	-	34

Dimension



	A	B	C	D	E	F	$\varnothing G$	H	J	K	L	M
KBR 355EC	206,7	655	372	451	770	125	355	273	331	70	770	55

Wiring



Connector	Connection	Assignment / function
PE	PE	Protective earth
KL1	N	Mains 50/60 Hz. neutral
	L	Mains 50/60 Hz. phase
KL2	NC	Alarm relay, break for failure
	COM	Alarm relay, COMMON (2A, 250 VAC, AC1)
	NO	Alarm relay, make for failure

Connector	Connection	Assignment / function
KL3	OUT	Master output 0-10 V max. 3 mA
	GND	GND
	0-10 V / PWM	Control / Actual value input (Impedance 100 kΩ)
	+10 V	Supply for external potentiometer, 10 VDC (+10 %) max. 10 mA
	+20 V	Supply for external sensor, 20 VDC (±20 %) max. 50 mA
	4-20 mA	Control / Actual value input
	0-10 V / PWM	Control / Actual value input
	GND	GND
	RSB	RS485 interface for ebmBUS; RS B
	RSA	RS485 interface for ebmBUS; RS A
	RSB	RS485 interface for ebmBUS; RS B
	RSA	RS485 interface for ebmBUS; RS A

Accessories

- ASF 355/KB Flex. connection (2719)
- EC-Basic-CO2 and temperature (24808)
- EC-Basic-T temperature (24805)
- EC-Vent control board (3115)
- MTP 10, 10K, Speed control (32731)
- Potentiometer MTP 20, 0-10V (310220)
- WSD KBR-2 Weather roof f.motor (2729)
- Presence detector/IR24-P (6995)
- ALS-KBR drain plug (2727)
- KBR 355EC (382400)
- CXE/AVC Modbus (37256)
- EC-Basic-H humidity (24807)
- EC-Basic-U universal 0-10V (24806)
- EC-Vent Room Unit (3018)
- MTV-1/010 Controller 0..10V+ (30650)
- REV-3POL/03-7,5kW R/Y (33978)
- HR1 Room Humidistat (215150)
- RT 0-30 Room Thermostat (5151)
- WBK 315/355 Wall bracket (2721)
- Room hygrostat HR-S (286251)

Documents

- Installation, Operation and Maintenance instruction_005
- EC Declaration of Conformity KBT, KBR, MUB-K, MUB-T, MUB-T-S, DVV
- EU DECLARATION OF CONFORMITY_THERMOFANS_EN_004.PDF