

This product is discontinued

This product is discontinued

This product was replaced by [KBR 280D2 Thermo fan](#)

[Find more details in our online catalogue](#)



Technical parameters

Nominal data

Voltage (nominal)	400	V
Frequency	50	Hz
Phases	3~	
Motor circuit connection	Y	
Input power	730	W
Input power kW	0.73	kW
Starting current	11.4	A
Input current	1.25	A
Impeller speed	2,820	rpm
Air flow	max 2,966	m³/h
Temperature of transported air	max 120	°C

Sound data

Sound pressure level at 10m (free field)	36	dB(A)
Sound pressure level at 4m (free field)	44	dB(A)

Protection/Classification

Enclosure class, motor	IP55
Insulation class	F

Dimensions and weights

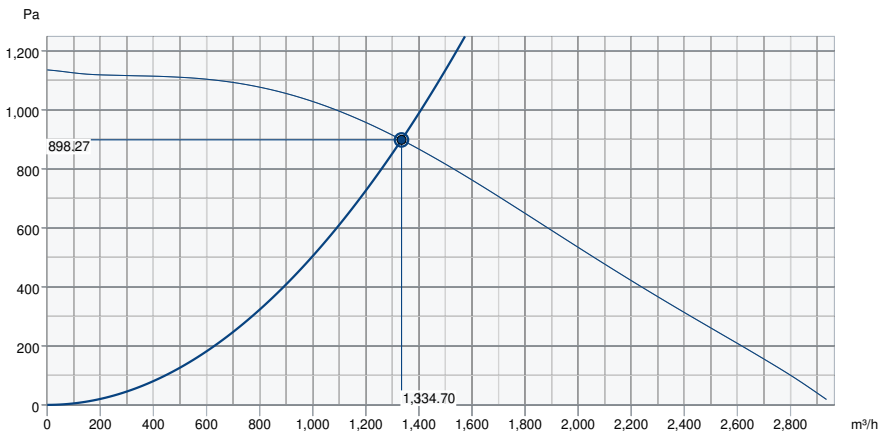
Duct dimension; Circular, inlet	280	mm
Duct dimension; Circular, outlet	280	mm
Weight	48	kg

Others

Duct connection type	Circular
Motor type	AC

Performance

Performance curve



Hydraulic data

Required air flow	1,334 m³/h
Required static pressure	898 Pa
Working air flow	1,335 m³/h
Working static pressure	898 Pa
Air density	1.204 kg/m³
Power	676.1 W
Fan control - RPM	2,833 rpm
Current	1.19 A
SFP	1.824 kW/m³/s
Control voltage	400.0 V
Supply voltage	400 V

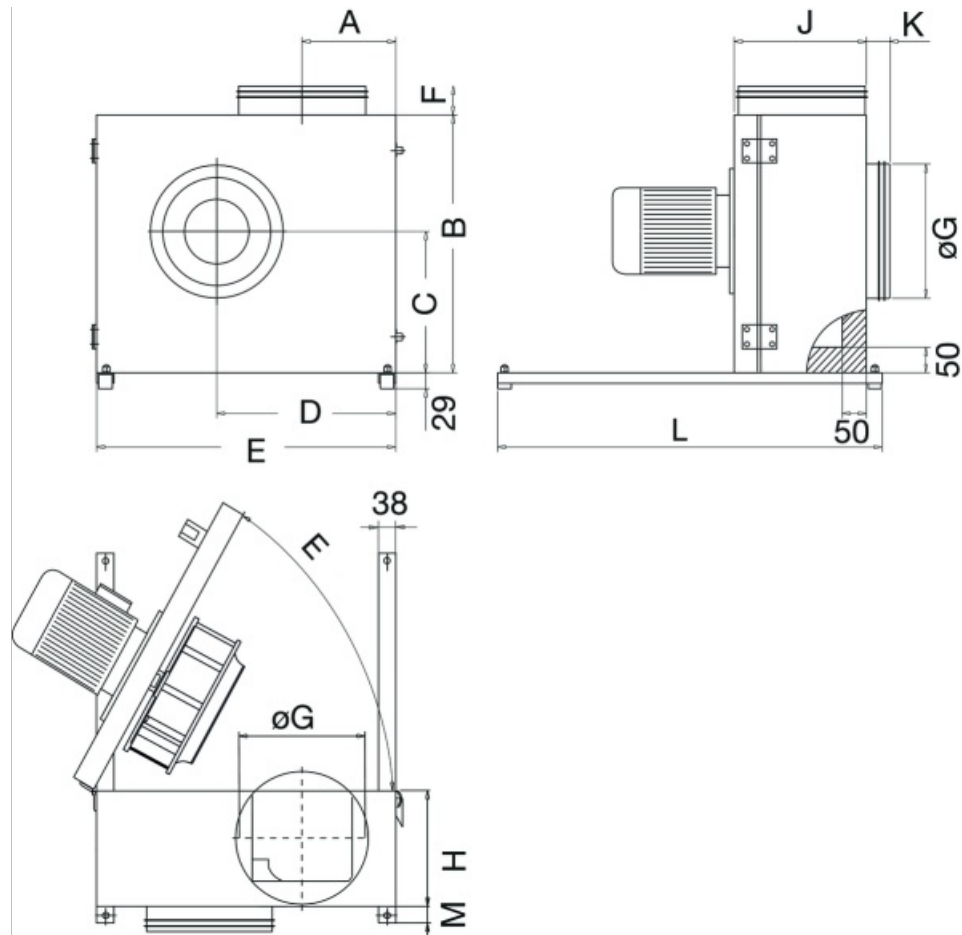
Acoustic

Mid-frequency band, Hz

	Hz	Tot	125	250	500	1k	2k	4k	8k
LwA Inlet	dB(A)	86	80	78	74	71	69	65	61
LwA Outlet	dB(A)	88	82	80	76	73	71	67	61
LwA Surrounding	dB(A)	67	61	59	55	52	50	46	42

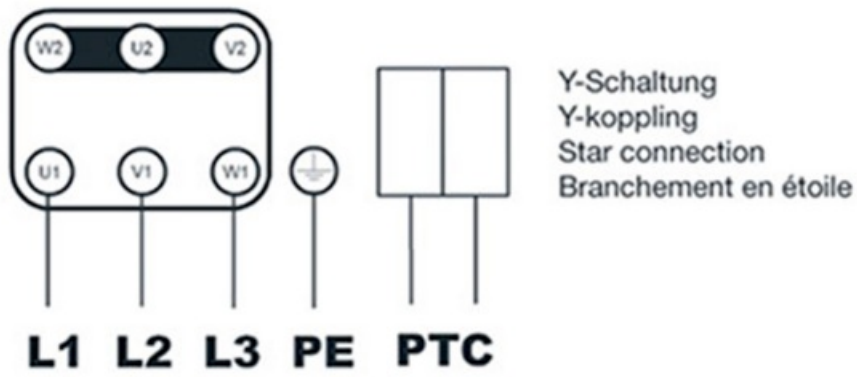
Measurement point: 1334 m³/h; 898 Pa

Dimension



KBR	A	B	C	D	E	F	$\varnothing G$	H	J	K	L	M
280	171,5	537	295	360	625	125	280	234	291	70	620	55

Wiring



Accessories

- ASF 280/KB Flex. connection (2717)
- Frequency converter FRQ5-4A (36229)
- Frequency converter FRQS-4A (36231)
- WSD KBR-2 Weather roof f.motor (2729)
- WBK 225/280 Wall bracket (2720)
- Frequency converter FRQ-4A (36227)
- Frequency converter FRQ5S-4A (36233)
- REV-5POL/05-7,5kW R/Y (33979)
- ALS-KBR drain plug (2727)
- KBR 280D2 Thermo fan (266291)

Documents

- Installation, Operation and Maintenance instruction_005
- EC Declaration of Conformity KBT, KBR, MUB-K, MUB-T, MUB-T-S, DVV
- EU DECLARATION OF CONFORMITY_THERMOFANS_EN_004.PDF