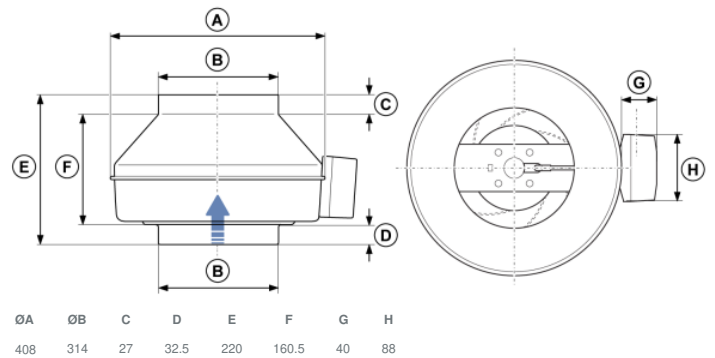




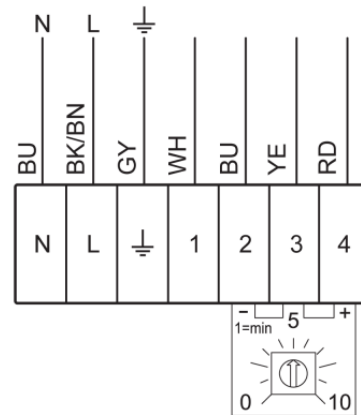
Technical parameters

Nominal data	
Voltage (nominal)	230 V
Frequency	50; 60 Hz
Phases	1~
Input power	166 W
Input current	1.14 A
Impeller speed	2,117 rpm
Air flow	max 1,415 m³/h
Temperature of transported air	max 40 °C
Max temperature of transported air, when speed controlled	40 °C
Sound data	
Sound pressure level at 3m (20m² Sabin)	50 dB(A)
Protection/Classification	
Enclosure class, motor	IP44
Insulation class	B
Data according to ErP	
ErP ready	ErP 2016; ErP 2018
Dimensions and weights	
Duct dimension; Circular, inlet	315 mm
Duct dimension; Circular, outlet	315 mm
Weight	6.2 kg
Others	
Duct connection type	Circular
Motor type	EC

Dimension



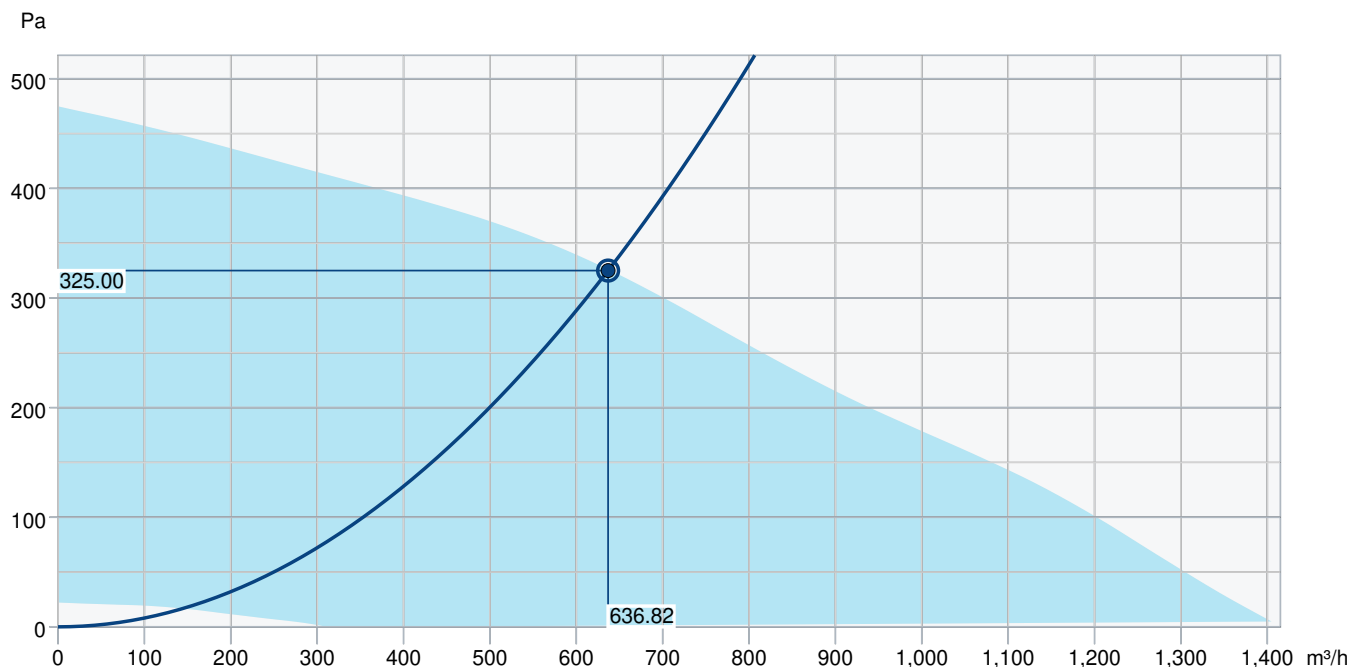
Wiring



Terminal	Cable	Description
N	BU = Blue	
L	BK/BN = Black or Brown	
GND	GY = Green/Yellow	
1	WH = White	Tacho output, Isink max 10mA
2	BU = Blue	GND
3	YE = Yellow	Control input 0-10 VDC/PWM
4	RD = Red	Output 10 VDC max 1.1 mA

Internal potentiometer is mounted (removable) on the terminal block from the factory. Remove the internal potentiometer when you use an external speed controller for the EC fan.

Performance curve



Hydraulic data										
Required air flow	637 m³/h									
Required static pressure	325 Pa									
Working air flow	637 m³/h									
Working static pressure	325 Pa									
Air density	1.204 kg/m³									
Power	164.2 W									
Fan control - RPM	2,128 rpm									
Current	1.10 A									
SFP	0.928 kW/m³/s									
Control voltage	10.0 V									
Supply voltage	230 V									
Sound power level		63	125	250	500	1k	2k	4k	8k	Total
Inlet	dB(A)	54	71	68	70	68	65	64	60	76
Outlet	dB(A)	55	73	69	66	68	66	62	56	76
Surrounding	dB(A)	24	33	48	52	49	50	48	36	57
Sound pressure level at 3m (20m² Sabine)	dB(A)	-	-	-	-	-	-	-	-	50
Sound pressure level at 3m free field	dB(A)	-	-	-	-	-	-	-	-	36
Accessories										

Accessories

CXE/AVC Modbus (37256)

EC-Basic-H humidity (24807)

EC-Basic-U universal 0-10V (24806)

EC-Vent control board (3115)

MTP 10, 10K, Speed control (32731)

Potentiometer MTP 20, 0-10V (310220)

SG 315 Protection guard (5611)

VKK-315 Back draft damper (1628)

CO2RT-R-D Transmitter (6993)

Presence detector/IR24-P (6995)

Safety switch 2-pole grey (210679)

CB 315-3,0 230V/1 Duct heater (5386)

CBM 315-9,0 400V/3 Duct heater (5485)

CWK 315-3-2,5 Duct cooler,circ (30025)

FGR 315 Filter cassette (1818)

LDC 315-900 Silencer (5197)

VBC 315-2 Water heating batt (5461)

VBF 315 Water heating battery (1734)

Room hygrostat HR-S (286251)

EC-Basic-CO2 and temperature (24808)

EC-Basic-T temperature (24805)

EC-Selector (9908)

EC-Vent Room Unit (3018)

MTV-1/010 Controller 0..10V+ (30650)

REV-3POL/03-7,5kW R/Y (33978)

Step switch S-5EC-2, 0-10V (449084)

CB 315-6,0 400V/2 Duct heater (5374)

HR1 Room Humidistat (215150)

RT 0-30 Room Thermostat (5151)

CB 315-12,0 400V/3 Duct heater (5387)

CB 315-9,0 400V/3 Duct heater (5375)

CBMF 315-9,0 400V/3 Duct heater (12354)

FFR 315 Filter cassette (1779)

FK 315 Fast clamp (1613)

RSK-315 Back draft damper (5604)

VBC 315-3 Water heating batt (9844)

VK-30 Louvre shutter (5641)

Documents

INSTALLATION_OPERATION_AND_MAINTENANCE_INSTRUCTION_K_KV_PRIO_273896_EN_008.PDF

COMMISSIONING_RECCORD_FANS_EN.PDF