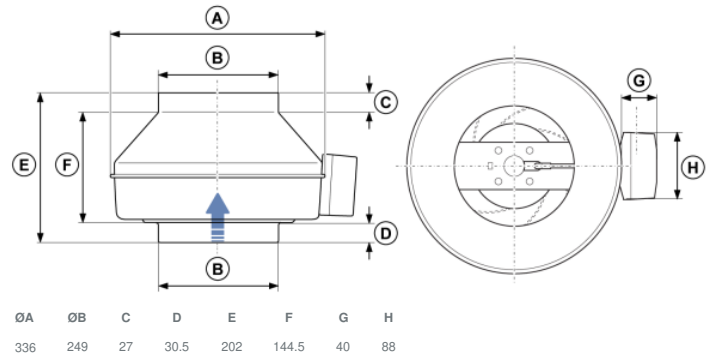




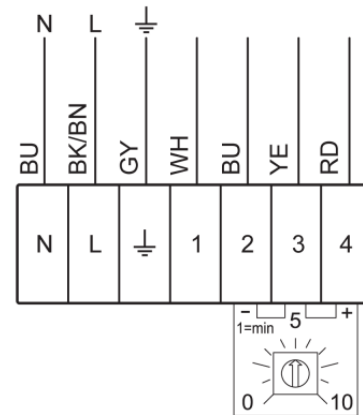
Technical parameters

Nominal data	
Voltage (nominal)	230 V
Frequency	50; 60 Hz
Phases	1~
Input power	115 W
Input current	0.874 A
Impeller speed	2,562 rpm
Air flow	max 979 m ³ /h
Temperature of transported air	max 55 °C
Max temperature of transported air, when speed controlled	55 °C
Sound data	
Sound pressure level at 3m (20m ² Sabin)	39 dB(A)
Protection/Classification	
Enclosure class, motor	IP54
Insulation class	B
Data according to ErP	
ErP ready	ErP 2016; ErP 2018
Dimensions and weights	
Duct dimension; Circular, inlet	250 mm
Duct dimension; Circular, outlet	250 mm
Weight	3.9 kg
Others	
Duct connection type	Circular
Motor type	EC

Dimension



Wiring

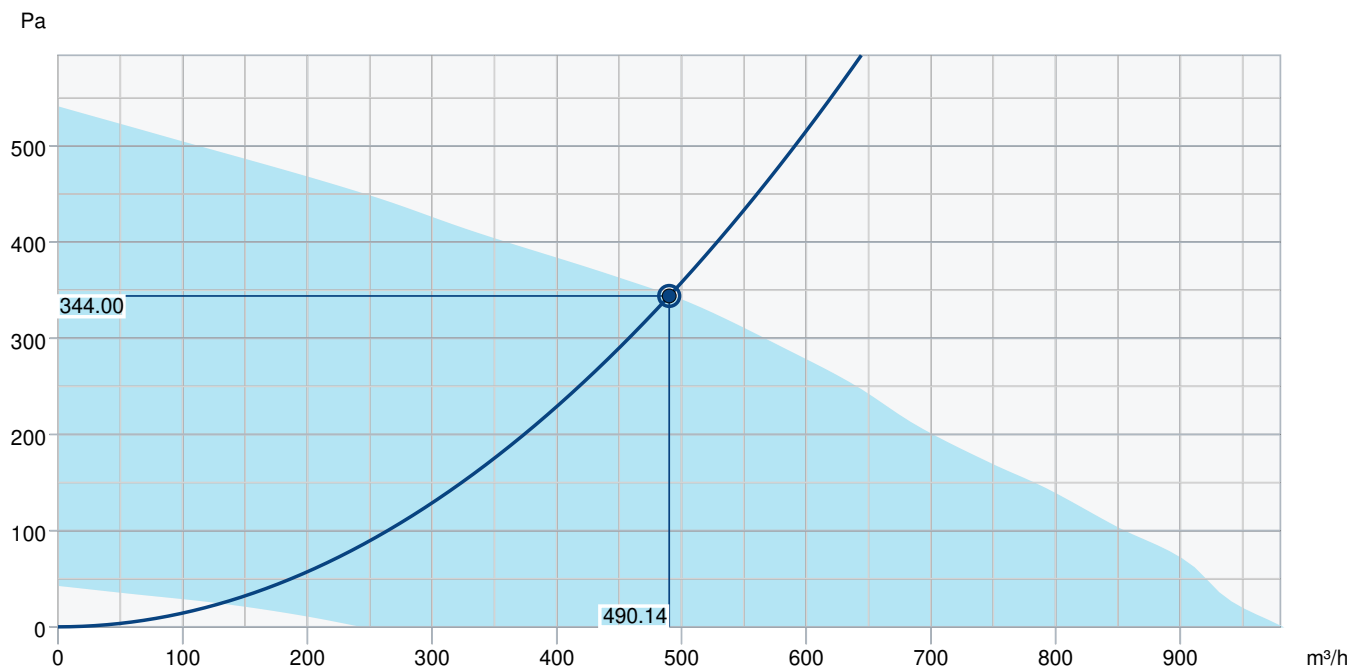


Terminal	Cable	Description
N	BU = Blue	
L	BK/BN = Black or Brown	
GND	GY = Green/Yellow	
1	WH = White	Tacho output, Isink max 10mA
2	BU = Blue	GND
3	YE = Yellow	Control input 0-10 VDC/PWM
4	RD = Red	Output 10 VDC max 1.1 mA

Internal potentiometer is mounted (removable) on the terminal block from the factory. Remove the internal potentiometer when you use an external speed controller for the EC fan.

Internal potentiometer, default

Performance curve



Hydraulic data										
Required air flow	490 m³/h									
Required static pressure	344 Pa									
Working air flow	490 m³/h									
Working static pressure	344 Pa									
Air density	1.204 kg/m³									
Power	111.2 W									
Fan control - RPM	2,573 rpm									
Current	0.79 A									
SFP	0.817 kW/m³/s									
Control voltage	10.0 V									
Supply voltage	230 V									
Sound power level		63	125	250	500	1k	2k	4k	8k	Total
Inlet	dB(A)	47	65	65	61	60	58	54	49	70
Outlet	dB(A)	53	64	61	62	61	61	56	51	69
Surrounding	dB(A)	16	35	35	44	37	39	33	25	47
Sound pressure level at 3m (20m² Sabine)	dB(A)	-	-	-	-	-	-	-	-	40
Sound pressure level at 3m free field	dB(A)	-	-	-	-	-	-	-	-	26
Accessories										

Accessories

CXE/AVC Modbus (37256)

EC-Basic-H humidity (24807)

EC-Basic-U universal 0-10V (24806)

EC-Vent control board (3115)

MTP 10, 10K, Speed control (32731)

Potentiometer MTP 20, 0-10V (310220)

SG 250 Protection guard (5610)

VKK-250 Back draft damper (1627)

CO2RT-R-D Transmitter (6993)

Presence detector/IR24-P (6995)

Safety switch 2-pole grey (210679)

CB 250-9,0 400V/3 Duct heater (5373)

CBMF 250-3,0 230V/1 Duct heater (12248)

CWK 250-3-2,5 Duct cooler,circ (30024)

FGR 250 Filter cassette (1815)

LDC 250-900 Silencer (5196)

VBC 250-2 Water heating batt (5460)

VBF 250 Water heating battery (1733)

Room hygrostat HR-S (286251)

EC-Basic-CO2 and temperature (24808)

EC-Basic-T temperature (24805)

EC-Selector (9908)

EC-Vent Room Unit (3018)

MTV-1/010 Controller 0..10V+ (30650)

REV-3POL/03-7,5kW R/Y (33978)

Step switch S-5EC-2, 0-10V (449084)

CB 250-6,0 400V/2 Duct heater (5372)

HR1 Room Humidistat (215150)

RT 0-30 Room Thermostat (5151)

CB 250-3,0 230V/1 Duct heater (5385)

CBM 250-6,0 400V/2 Duct heater (9089)

CBMF 250-6,0 400V/2 Duct heater (12249)

FFR 250 Filter cassette (1776)

FK 250 Fast clamp (1612)

RSK-250 Back draft damper (5603)

VBC 250-3 Water heating batt (9843)

VK-25 Louvre shutter (5640)

Documents

INSTALLATION_OPERATION_AND_MAINTENANCE_INSTRUCTION_K_KV_PRIO_273896_EN_008.PDF

COMMISSIONING_RECCORD_FANS_EN.PDF