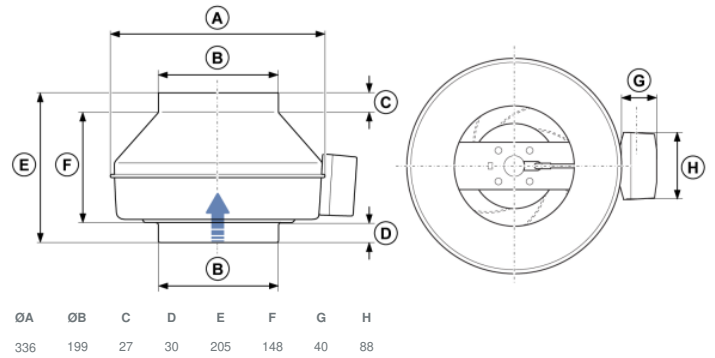




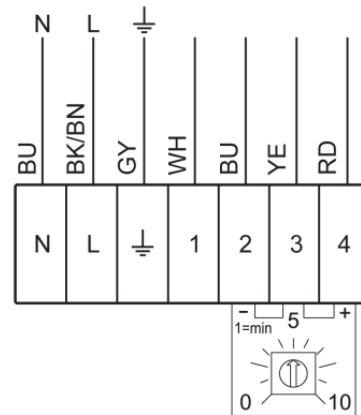
Technical parameters

Nominal data	
Voltage (nominal)	230 V
Frequency	50; 60 Hz
Phases	1~
Input power	73 W
Input current	0.6 A
Impeller speed	2,463 rpm
Air flow	max 749 m ³ /h
Temperature of transported air	max 60 °C
Max temperature of transported air, when speed controlled	60 °C
Sound data	
Sound pressure level at 3m (20m ² Sabin)	40 dB(A)
Protection/Classification	
Enclosure class, motor	IP54
Insulation class	B
Data according to ErP	
ErP ready	ErP 2016; ErP 2018
Dimensions and weights	
Duct dimension; Circular, inlet	200 mm
Duct dimension; Circular, outlet	200 mm
Weight	3.7 kg
Others	
Duct connection type	Circular
Motor type	EC

Dimension



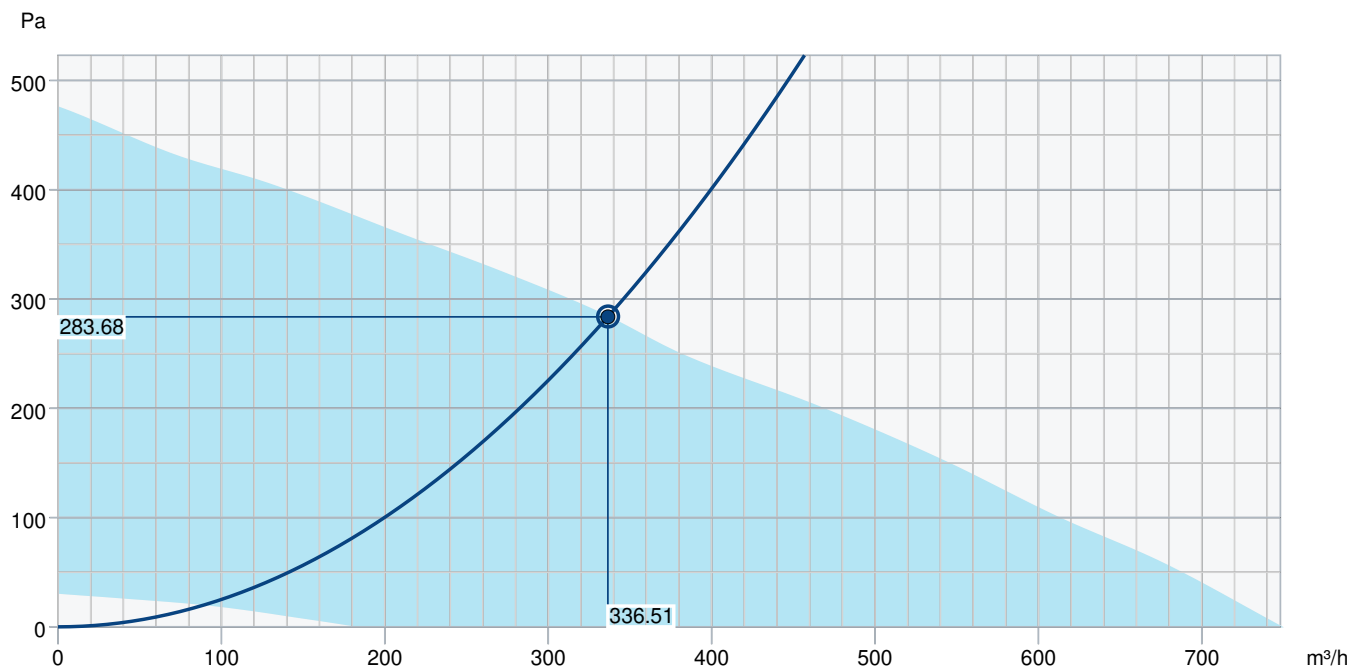
Wiring



Terminal	Cable	Description
N	BU = Blue	
L	BK/BN = Black or Brown	
GND	GY = Green/Yellow	
1	WH = White	Tacho output, Isink max 10mA
2	BU = Blue	GND
3	YE = Yellow	Control input 0-10 VDC/PWM
4	RD = Red	Output 10 VDC max 1.1 mA

Internal potentiometer is mounted (removable) on the terminal block from the factory. Remove the internal potentiometer when you use an external speed controller for the EC fan.

Performance curve



Hydraulic data										
Required air flow	337 m³/h									
Required static pressure	284 Pa									
Working air flow	337 m³/h									
Working static pressure	284 Pa									
Air density	1.204 kg/m³									
Power	73.0 W									
Fan control - RPM	2,500 rpm									
Current	0.60 A									
SFP	0.781 kW/m³/s									
Control voltage	10.0 V									
Supply voltage	230 V									
Sound power level		63	125	250	500	1k	2k	4k	8k	Total
Inlet	dB(A)	45	67	64	64	62	62	54	47	71
Outlet	dB(A)	52	65	57	64	59	60	54	45	69
Surrounding	dB(A)	<10	31	33	42	43	41	34	26	47
Sound pressure level at 3m (20m² Sabine)	dB(A)	-	-	-	-	-	-	-	-	40
Sound pressure level at 3m free field	dB(A)	-	-	-	-	-	-	-	-	26
Accessories										

Accessories

CXE/AVC Modbus (37256)

EC-Basic-H humidity (24807)

EC-Basic-U universal 0-10V (24806)

EC-Vent control board (3115)

MTP 10, 10K, Speed control (32731)

Potentiometer MTP 20, 0-10V (310220)

SG 200 Protection guard (5609)

VKK-200 Back draft damper (1626)

HR1 Room Humidistat (215150)

Presence detector/IR24-P (6995)

Safety switch 2-pole grey (210679)

CB 200-2,1 230V/1 Duct heater (5384)

CB 200-3,0 400V/2 Duct heater (5294)

CBM 200-5,0 400V/2 Duct heater (5483)

CBMF 200-5,0 400V/2 Duct heater (12246)

FFR 200 Filter cassette (1773)

FK 200 Fast clamp (1611)

LDC 200-600 Silencer (5194)

RSK-200 Back draft damper (5602)

VBC 200-3 Water heating batt (9841)

EC-Basic-CO2 and temperature (24808)

EC-Basic-T temperature (24805)

EC-Selector (9908)

EC-Vent Room Unit (3018)

MTV-1/010 Controller 0..10V+ (30650)

REV-3POL/03-7,5kW R/Y (33978)

Step switch S-5EC-2, 0-10V (449084)

CO2RT-R-D Transmitter (6993)

IGK-200 Wall Grid (1633)

RT 0-30 Room Thermostat (5151)

VBF 200 Water heating battery (1732)

CB 200-3,0 230V/1 Duct heater (5370)

CB 200-5,0 400V/2 Duct heater (5371)

CBMF 200-3,0 230V/1 Duct heater (12245)

CWK 200-3-2,5 Duct cooler,circ (30023)

FGR 200 Filter cassette (1812)

LDC 200-300 Silencer (53369)

LDC 200-900 Silencer (5195)

VBC 200-2 Water heating batt (5459)

Room hygrostat HR-S (286251)

Documents

INSTALLATION_OPERATION_AND_MAINTENANCE_INSTRUCTION_K_KV_PRIOR_273896_EN_008.PDF

COMMISSIONING_RECORD_FANS_EN.PDF