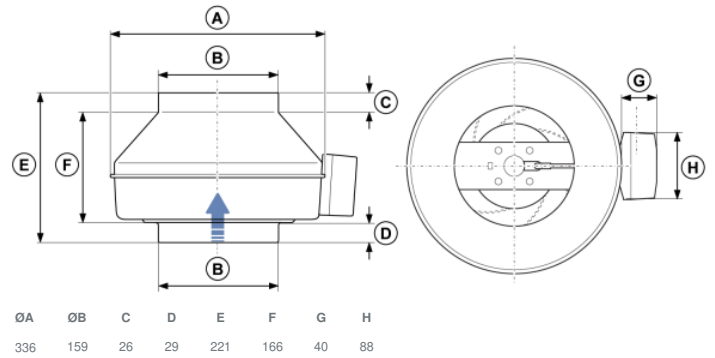




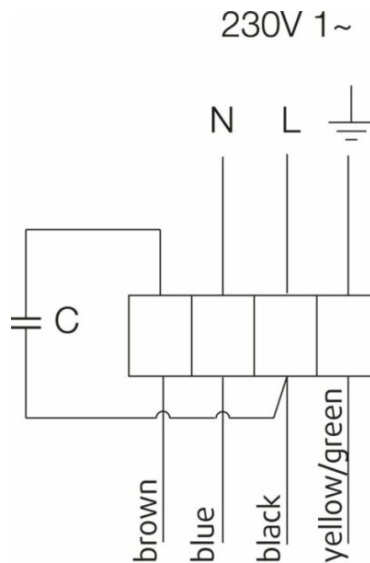
Technical parameters

Nominal data	
Voltage (nominal)	230 V
Frequency	50 Hz
Phases	1~
Input power	102 W
Input current	0.447 A
Impeller speed	2,539 rpm
Air flow	max 749 m ³ /h
Capacitance of capacitor	2.5 µF
Temperature of transported air	max 70 °C
Max temperature of transported air, when speed controlled	70 °C
Sound data	
Sound pressure level at 3m (20m ² Sabin)	46 dB(A)
Protection/Classification	
Enclosure class, motor	IP44
Insulation class	F
Data according to ErP	
Energy class, Basic unit	E
Energy class, Local demand	C
ErP ready	ErP 2016; ErP 2018
Dimensions and weights	
Duct dimension; Circular, inlet	160 mm
Duct dimension; Circular, outlet	160 mm
Weight	4 kg
Others	
Duct connection type	Circular
Motor type	AC

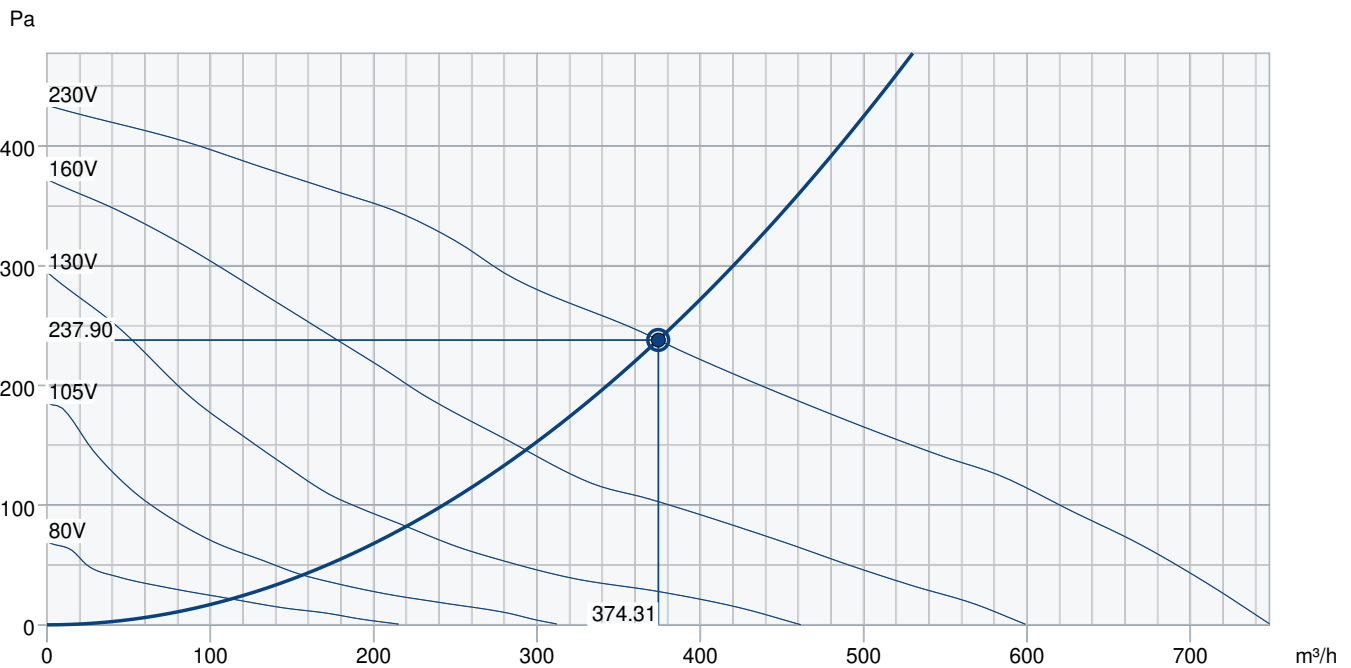
Dimension



Wiring



Performance curve



Hydraulic data										
Required air flow	374 m³/h									
Required static pressure	238 Pa									
Working air flow	374 m³/h									
Working static pressure	238 Pa									
Air density	1.204 kg/m³									
Power	97.0 W									
Fan control - RPM	2,559 rpm									
Current	0.40 A									
SFP	0.933 kW/m³/s									
Control voltage	230.0 V									
Supply voltage	230 V									
Sound power level		63	125	250	500	1k	2k	4k	8k	Total
Inlet	dB(A)	48	74	67	72	68	63	59	49	78
Outlet	dB(A)	55	84	64	73	64	61	54	43	84
Surrounding	dB(A)	10	32	36	50	47	46	42	29	53
Sound pressure level at 3m (20m² Sabine)	dB(A)	-	-	-	-	-	-	-	-	46
Sound pressure level at 3m free field	dB(A)	-	-	-	-	-	-	-	-	32
Accessories										

Accessories

- | | |
|--|---|
| Frequency converter FRQ5SE-6A (37421) | IGK-160 Wall Grid (1632) |
| RE 1,5 Speed control (5000) | REE 1 Speed control (5314) |
| REPT 6 Digital regulator (5698) | RETP 6 Temp/Pressure regulator (32293) |
| REU 1.5 Speed control (5004) | REV-3POL/03-7,5kW R/Y (33978) |
| SG 160 Protection guard (5608) | VKK-160 Back draft damper (1625) |
| CO2RT-R-D Transmitter (6993) | DTV500A (96807) |
| Frequency converter FRQSE-6A (37419) | HR1 Room Humidistat (215150) |
| Presence detector/IR24-P (6995) | RT 0-30 Room Thermostat (5151) |
| Safety switch 2-pole grey (210679) | T 120 Timer (5165) |
| CB 160-1,2 230V/1 Duct heater (5291) | CB 160-2,1 230V/1 Duct heater (5292) |
| CB 160-2,7 230V/1 Duct heater (5382) | CB 160-5,0 400V/2 Duct heater (5383) |
| CBM 160-2,1 230V/1 Duct heater (5482) | CBMF 160-2,1 230V/1 Duct heater (12244) |
| CWK 160-3-2,5 Duct cooler,circ (30022) | FFR 160 Filter cassette (1770) |
| FGR 160 Filter cassette (1809) | FK 160 Fast clamp (1610) |
| LDC 160-300 Silencer (53108) | LDC 160-600 Silencer (5192) |
| LDC 160-900 Silencer (5193) | RSK-160 Back draft damper (5601) |
| THB 160 Hood w.cover pl. black (1764) | THS 160 Hood w.cover pl. black (1839) |
| VBC 160-2 Water heating batt (5458) | VBC 160-3 Water heating batt (9840) |
| VBF 160 Water heating battery (1731) | Room hygrostat HR-S (286251) |

Documents

- INSTALLATION_OPERATION_AND_MAINTENANCE_INSTRUCTION_K_KV_PRIO_273896_EN_008.PDF
- COMMISSIONING_RECCORD_FANS_EN.PDF
- K fan mounting.wmv