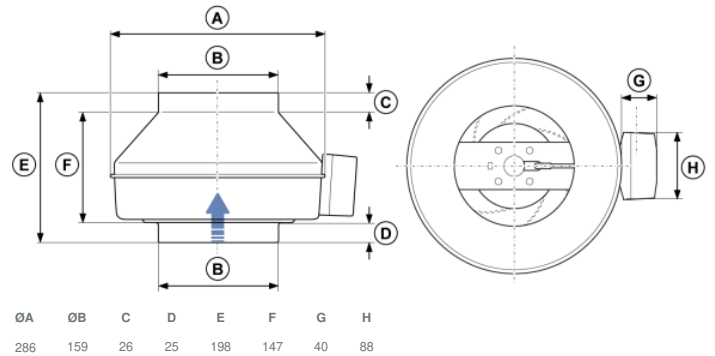




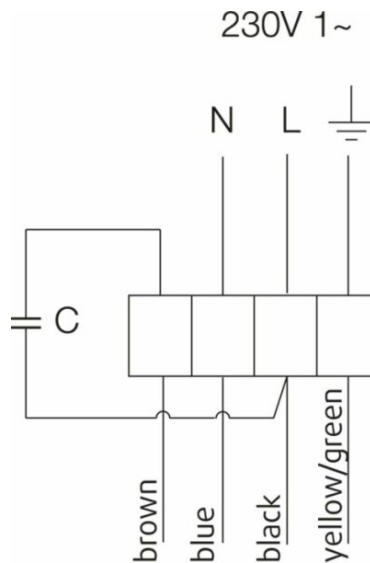
Technical parameters

Nominal data	
Voltage (nominal)	230 V
Frequency	50 Hz
Phases	1~
Input power	53 W
Input current	0.231 A
Impeller speed	2,388 rpm
Air flow	max 450 m ³ /h
Capacitance of capacitor	1.5 µF
Temperature of transported air	max 70 °C
Max temperature of transported air, when speed controlled	70 °C
Sound data	
Sound pressure level at 3m (20m ² Sabin)	38 dB(A)
Protection/Classification	
Enclosure class, motor	IP44
Insulation class	B
Data according to ErP	
Energy class, Basic unit	E
Energy class, Local demand	B
ErP ready	ErP 2016; ErP 2018
Dimensions and weights	
Duct dimension; Circular, inlet	160 mm
Duct dimension; Circular, outlet	160 mm
Weight	3.3 kg
Others	
Duct connection type	Circular
Motor type	AC

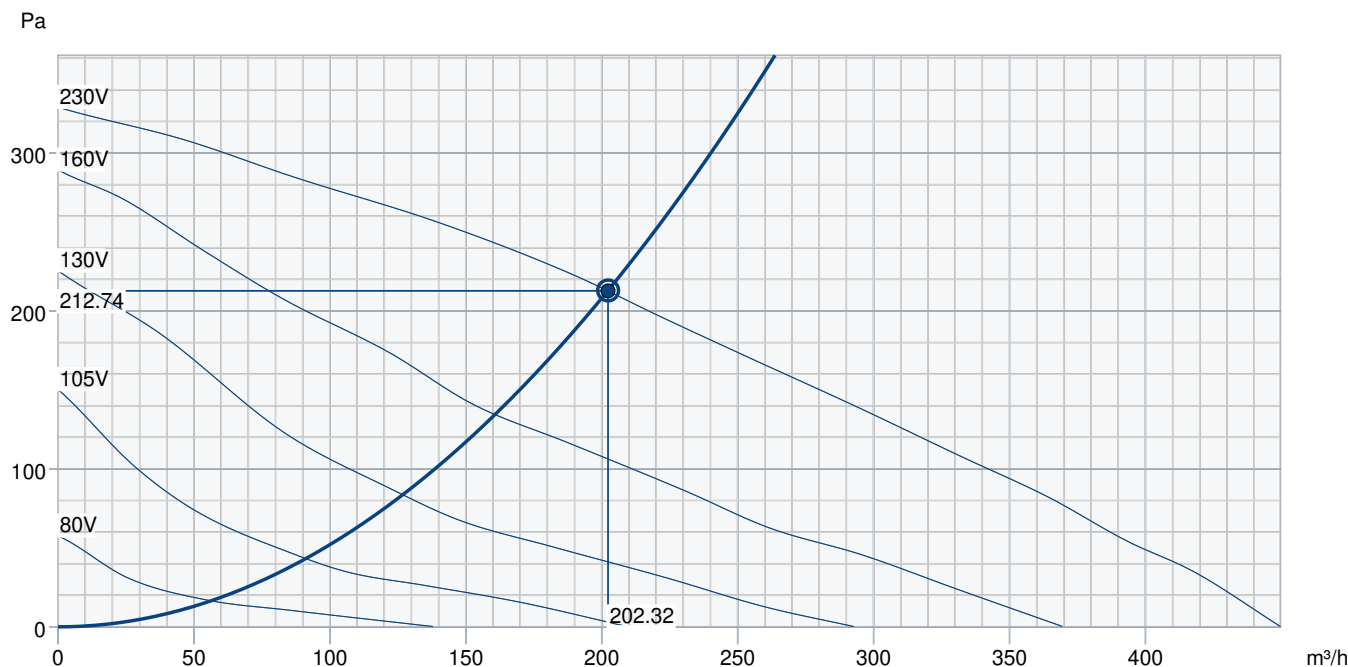
Dimension



Wiring



Performance curve



Hydraulic data										
Required air flow	202 m³/h									
Required static pressure	213 Pa									
Working air flow	202 m³/h									
Working static pressure	213 Pa									
Air density	1.204 kg/m³									
Power	51.2 W									
Fan control - RPM	2,437 rpm									
Current	0.20 A									
SFP	0.912 kW/m³/s									
Control voltage	230.0 V									
Supply voltage	230 V									
Sound power level		63	125	250	500	1k	2k	4k	8k	Total
Inlet	dB(A)	42	61	59	58	59	58	52	41	66
Outlet	dB(A)	52	60	61	56	58	57	49	39	66
Surrounding	dB(A)	16	20	32	39	38	40	34	25	45
Sound pressure level at 3m (20m² Sabine)	dB(A)	-	-	-	-	-	-	-	-	38
Sound pressure level at 3m free field	dB(A)	-	-	-	-	-	-	-	-	24
Accessories										

Accessories

- Frequency converter FRQ5SE-6A (37421)
- RE 1,5 Speed control (5000)
- REPT 6 Digital regulator (5698)
- REU 1.5 Speed control (5004)
- SG 160 Protection guard (5608)
- CO2RT-R-D Transmitter (6993)
- Frequency converter FRQSE-6A (37419)
- Presence detector/IR24-P (6995)
- Safety switch 2-pole grey (210679)
- CB 160-1,2 230V/1 Duct heater (5291)
- CB 160-2,7 230V/1 Duct heater (5382)
- CBM 160-2,1 230V/1 Duct heater (5482)
- CWK 160-3-2,5 Duct cooler,circ (30022)
- FGR 160 Filter cassette (1809)
- LDC 160-300 Silencer (53108)
- LDC 160-900 Silencer (5193)
- THB 160 Hood w.cover pl. black (1764)
- VBC 160-2 Water heating batt (5458)
- VBF 160 Water heating battery (1731)

- IGK-160 Wall Grid (1632)
- REE 1 Speed control (5314)
- RETP 6 Temp/Pressure regulator (32293)
- REV-3POL/03-7,5kW R/Y (33978)
- VKK-160 Back draft damper (1625)
- DTV500A (96807)
- HR1 Room Humidistat (215150)
- RT 0-30 Room Thermostat (5151)
- T 120 Timer (5165)
- CB 160-2,1 230V/1 Duct heater (5292)
- CB 160-5,0 400V/2 Duct heater (5383)
- CBMF 160-2,1 230V/1 Duct heater (12244)
- FFR 160 Filter cassette (1770)
- FK 160 Fast clamp (1610)
- LDC 160-600 Silencer (5192)
- RSK-160 Back draft damper (5601)
- THS 160 Hood w.cover pl. black (1839)
- VBC 160-3 Water heating batt (9840)
- Room hygrostat HR-S (286251)

Documents

- INSTALLATION_OPERATION_AND_MAINTENANCE_INSTRUCTION_K_KV_PRIO_273896_EN_008.PDF
- COMMISSIONING_RECCORD_FANS_EN.PDF
- K fan mounting.wmv