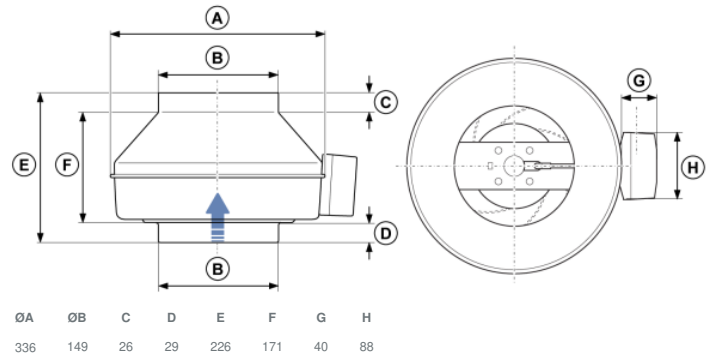




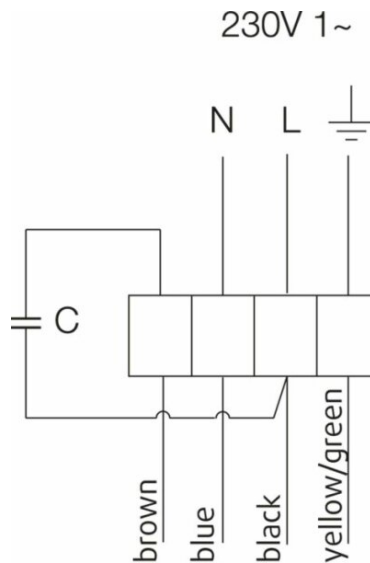
## Technical parameters

Nominal data	
Voltage (nominal)	230 V
Frequency	50 Hz
Phases	1~
Input power	100 W
Input current	0.443 A
Impeller speed	2,523 rpm
Air flow	max 724 m <sup>3</sup> /h
Capacitance of capacitor	2.5 µF
Temperature of transported air	max 70 °C
Max temperature of transported air, when speed controlled	70 °C
Sound data	
Sound pressure level at 3m (20m <sup>2</sup> Sabin)	48 dB(A)
Protection/Classification	
Enclosure class, motor	IP44
Insulation class	F
Data according to ErP	
Energy class, Basic unit	E
Energy class, Local demand	C
ErP ready	ErP 2016; ErP 2018
Dimensions and weights	
Duct dimension; Circular, inlet	150 mm
Duct dimension; Circular, outlet	150 mm
Weight	4.1 kg
Others	
Duct connection type	Circular
Motor type	AC

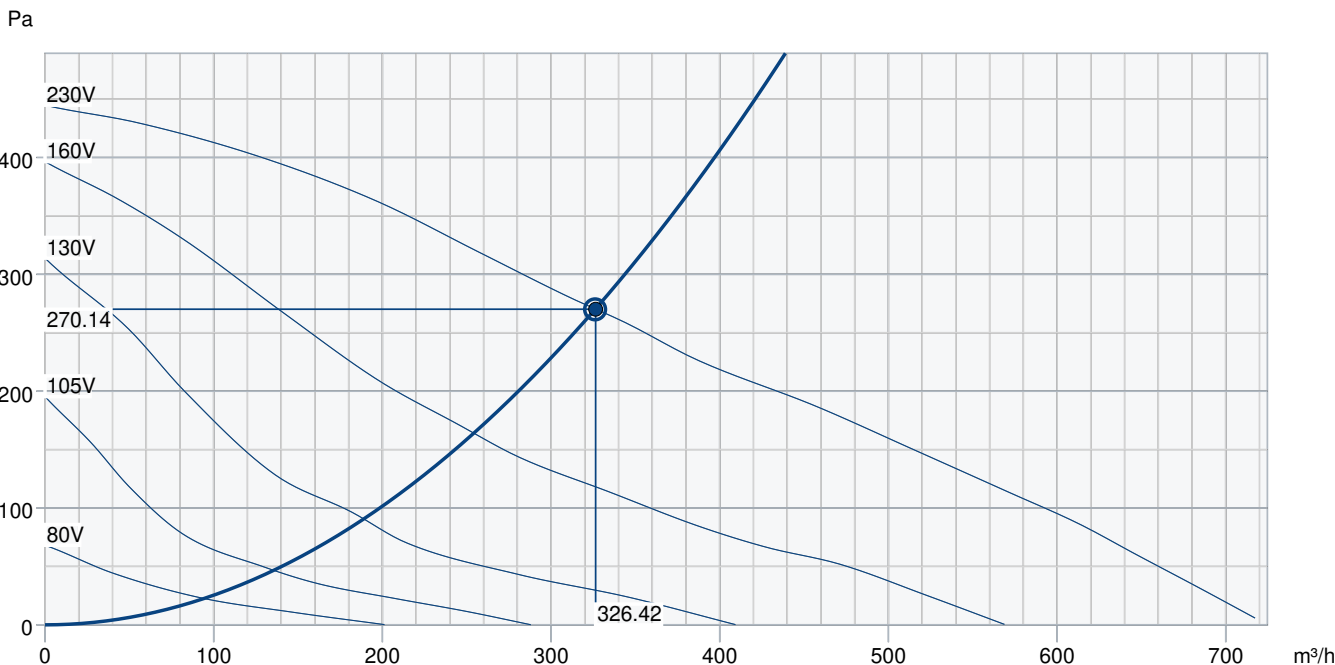
## Dimension



## Wiring



# Performance curve



Hydraulic data										
Required air flow	326 m³/h									
Required static pressure	270 Pa									
Working air flow	326 m³/h									
Working static pressure	270 Pa									
Air density	1.204 kg/m³									
Power	96.7 W									
Fan control - RPM	2,555 rpm									
Current	0.40 A									
SFP	1.067 kW/m³/s									
Control voltage	230.0 V									
Supply voltage	230 V									
Sound power level		63	125	250	500	1k	2k	4k	8k	Total
Inlet	dB(A)	51	76	68	72	67	62	59	49	78
Outlet	dB(A)	54	73	62	69	64	60	54	47	75
Surrounding	dB(A)	15	33	37	50	46	47	44	30	53
Sound pressure level at 3m (20m² Sabine)	dB(A)	-	-	-	-	-	-	-	-	46
Sound pressure level at 3m free field	dB(A)	-	-	-	-	-	-	-	-	32
Accessories										

## Accessories

Frequency converter FRQ5SE-6A (37421)

RE 1,5 Speed control (5000)

REPT 6 Digital regulator (5698)

REU 1.5 Speed control (5004)

SG 150 Protection guard (5555)

DTV500A (96807)

HR1 Room Humidistat (215150)

RT 0-30 Room Thermostat (5151)

T 120 Timer (5165)

CB 150-2,1 230V/1 Duct heater (5379)

CB 150-5,0 400V/2 Duct heater (5381)

CBMF 150-2,1 230V/1 Duct heater (12243)

FGR 150 Filter cassette (1807)

LDC 150-300 Silencer (53723)

RSK-150 Back draft damper (5599)

THS 160 Hood w.cover pl. black (1839)

IGK-160 Wall Grid (1632)

REE 1 Speed control (5314)

RETP 6 Temp/Pressure regulator (32293)

REV-3POL/03-7,5kW R/Y (33978)

CO2RT-R-D Transmitter (6993)

Frequency converter FRQSE-6A (37419)

Presence detector/IR24-P (6995)

Safety switch 2-pole grey (210679)

CB 150-1,2 230V/1 Duct heater (5378)

CB 150-2,7 230V/1 Duct heater (5380)

CBM 150-2,1 230V/1 Duct heater (5481)

FFR 150 Filter cassette (1769)

FK 150 Fast clamp (1609)

LDC 150-600 Silencer (5199)

THB 160 Hood w.cover pl. black (1764)

Room hygrostat HR-S (286251)

## Documents

INSTALLATION\_OPERATION\_AND\_MAINTENANCE\_INSTRUCTION\_K\_KV\_PRIO\_273896\_EN\_008.PDF

COMMISSIONING\_RECCORD\_FANS\_EN.PDF

K fan mounting.wmv