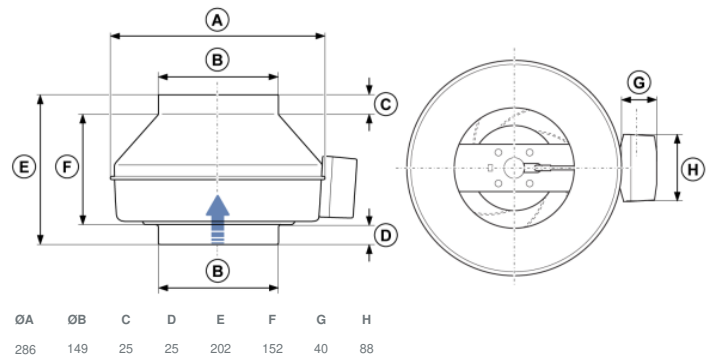




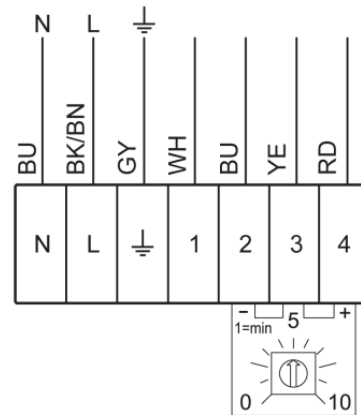
Technical parameters

Nominal data	
Voltage (nominal)	230 V
Frequency	50; 60 Hz
Phases	1~
Input power	84 W
Input current	0.686 A
Impeller speed	3,235 rpm
Air flow	max 598 m³/h
Temperature of transported air	max 55 °C
Max temperature of transported air, when speed controlled	55 °C
Sound data	
Sound pressure level at 3m (20m² Sabin)	47 dB(A)
Protection/Classification	
Enclosure class, motor	IP54
Insulation class	B
Data according to ErP	
ErP ready	ErP 2018
Dimensions and weights	
Duct dimension; Circular, inlet	150 mm
Duct dimension; Circular, outlet	150 mm
Weight	3.3 kg
Others	
Motor type	EC

Dimension



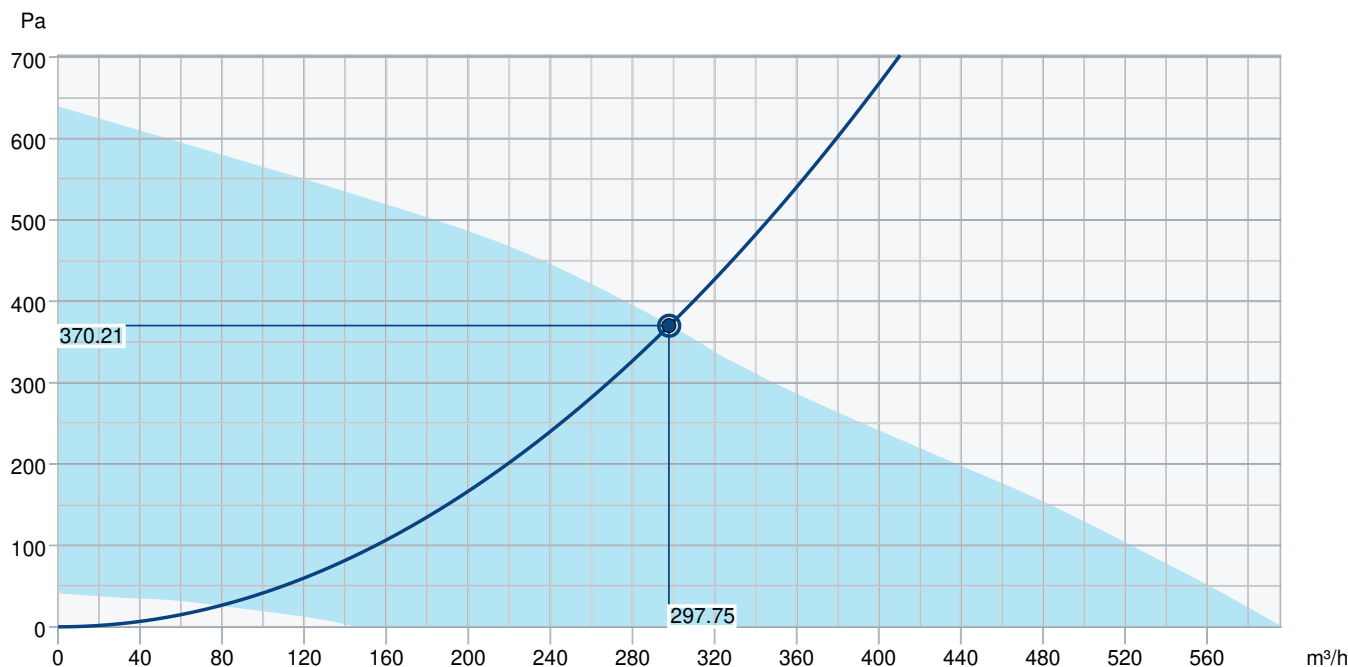
Wiring



Terminal	Cable	Description
N	BU = Blue	
L	BK/BN = Black or Brown	
GND	GY = Green/Yellow	
1	WH = White	Tacho output, Isink max 10mA
2	BU = Blue	GND
3	YE = Yellow	Control input 0-10 VDC/PWM
4	RD = Red	Output 10 VDC max 1.1 mA

Internal potentiometer is mounted (removable) on the terminal block from the factory. Remove the internal potentiometer when you use an external speed controller for the EC fan.

Performance curve



Hydraulic data

Required air flow	298 m³/h
Required static pressure	370 Pa
Working air flow	298 m³/h
Working static pressure	370 Pa
Air density	1.204 kg/m³
Power	83.8 W
Fan control - RPM	3,278 rpm
Current	0.70 A
SFP	1.013 kW/m³/s
Control voltage	10.0 V
Supply voltage	230 V

Sound power level		63	125	250	500	1k	2k	4k	8k	Total
Inlet	dB(A)	55	64	67	67	64	64	62	52	73
Outlet	dB(A)	56	62	59	65	62	64	62	51	71
Surrounding	dB(A)	26	23	32	48	50	46	45	34	54
Sound pressure level at 3m (20m² Sabine)	dB(A)	-	-	-	-	-	-	-	-	47
Sound pressure level at 3m free field	dB(A)	-	-	-	-	-	-	-	-	33

Accessories

CXE/AVC Modbus (37256)
 EC-Basic-H humidity (24807)
 EC-Basic-U universal 0-10V (24806)
 EC-Vent control board (3115)
 IGK-160 Wall Grid (1632)
 MTV-1/010 Controller 0..10V+ (30650)
 REV-3POL/03-7.5kW R/Y (33978)
 Step switch S-5EC-2, 0-10V (449084)
 HR1 Room Humidistat (215150)
 RT 0-30 Room Thermostat (5151)
 CB 150-1,2 230V/1 Duct heater (5378)
 CB 150-2,7 230V/1 Duct heater (5380)
 CBM 150-2,1 230V/1 Duct heater (5481)
 FFR 150 Filter cassette (1769)
 FK 150 Fast clamp (1609)
 LDC 150-600 Silencer (5199)
 THB 160 Hood w.cover pl. black (1764)

EC-Basic-CO2 and temperature (24808)
 EC-Basic-T temperature (24805)
 EC-Selector (9908)
 EC-Vent Room Unit (3018)
 MTP 10, 10K, Speed control (32731)
 Potentiometer MTP 20, 0-10V (310220)
 SG 150 Protection guard (5555)
 CO2RT-R-D Transmitter (6993)
 Presence detector/IR24-P (6995)
 Safety switch 2-pole grey (210679)
 CB 150-2,1 230V/1 Duct heater (5379)
 CB 150-5,0 400V/2 Duct heater (5381)
 CBMF 150-2,1 230V/1 Duct heater (12243)
 FGR 150 Filter cassette (1807)
 LDC 150-300 Silencer (53723)
 RSK-150 Back draft damper (5599)
 THS 160 Hood w.cover pl. black (1839)

Documents

INSTALLATION_OPERATION_AND_MAINTENANCE_INSTRUCTION_K_KV_PRIO_273896_EN_008.PDF
 COMMISSIONING_RECCORD_FANS_EN.PDF