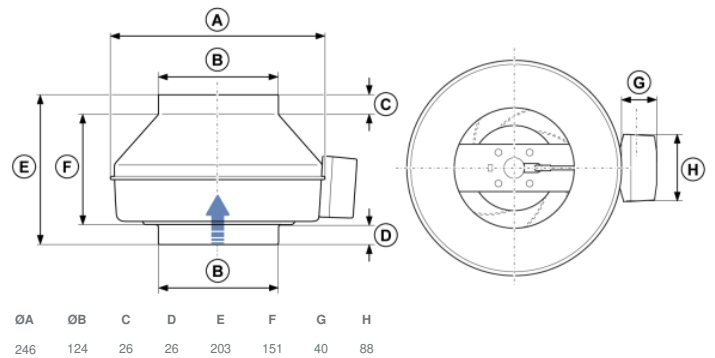




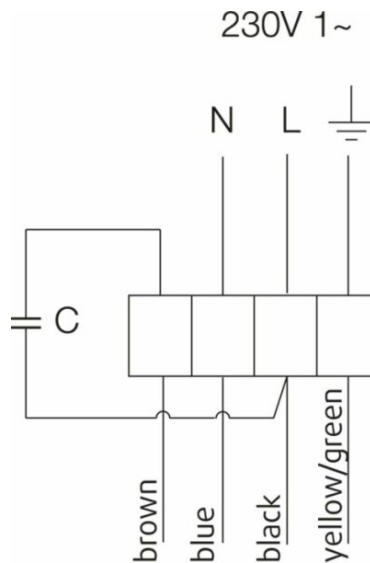
Technical parameters

| Nominal data | |
|---|---------------------------|
| Voltage (nominal) | 230 V |
| Frequency | 50 Hz |
| Phases | 1~ |
| Input power | 53 W |
| Input current | 0.229 A |
| Impeller speed | 2,395 rpm |
| Air flow | max 359 m ³ /h |
| Capacitance of capacitor | 1.5 µF |
| Temperature of transported air | max 70 °C |
| Max temperature of transported air, when speed controlled | 70 °C |
| Sound data | |
| Sound pressure level at 3m (20m ² Sabin) | 44 dB(A) |
| Protection/Classification | |
| Enclosure class, motor | IP44 |
| Insulation class | B |
| Data according to ErP | |
| Energy class, Basic unit | E |
| Energy class, Local demand | C |
| ErP ready | ErP 2016; ErP 2018 |
| Dimensions and weights | |
| Duct dimension; Circular, inlet | 125 mm |
| Duct dimension; Circular, outlet | 125 mm |
| Weight | 2.9 kg |
| Others | |
| Duct connection type | Circular |
| Motor type | AC |

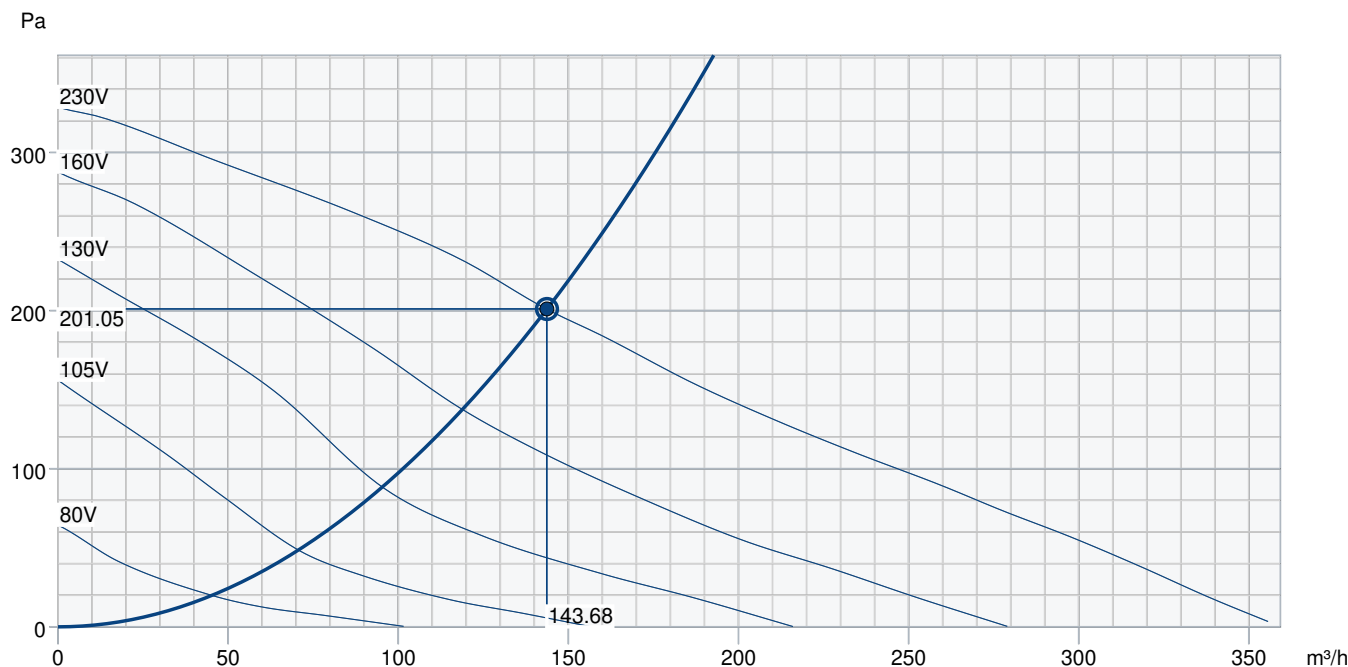
Dimension



Wiring



Performance curve



| Hydraulic data | | | | | | | | | | |
|--|-------|----|-----|-----|-----|----|----|----|----|---------------|
| Required air flow | | | | | | | | | | 144 m³/h |
| Required static pressure | | | | | | | | | | 201 Pa |
| Working air flow | | | | | | | | | | 144 m³/h |
| Working static pressure | | | | | | | | | | 201 Pa |
| Air density | | | | | | | | | | 1.204 kg/m³ |
| Power | | | | | | | | | | 48.1 W |
| Fan control - RPM | | | | | | | | | | 2,507 rpm |
| Current | | | | | | | | | | 0.20 A |
| SFP | | | | | | | | | | 1.206 kW/m³/s |
| Control voltage | | | | | | | | | | 230.0 V |
| Supply voltage | | | | | | | | | | 230 V |
| Sound power level | | 63 | 125 | 250 | 500 | 1k | 2k | 4k | 8k | Total |
| Inlet | dB(A) | 48 | 64 | 65 | 65 | 63 | 59 | 53 | 42 | 71 |
| Outlet | dB(A) | 48 | 68 | 64 | 65 | 60 | 55 | 49 | 38 | 71 |
| Surrounding | dB(A) | 19 | 17 | 38 | 45 | 42 | 42 | 36 | 29 | 49 |
| Sound pressure level at 3m (20m² Sabine) | dB(A) | - | - | - | - | - | - | - | - | 42 |
| Sound pressure level at 3m free field | dB(A) | - | - | - | - | - | - | - | - | 28 |
| Accessories | | | | | | | | | | |

Accessories

[Frequency converter FRQ5SE-6A \(37421\)](#)
[REE 1 Speed control \(5314\)](#)
[RETP 6 Temp/Pressure regulator \(32293\)](#)
[REV-3POL/03-7.5kW R/Y \(33978\)](#)
[VKK-125 Back draft damper \(1624\)](#)
[DTV500A \(96807\)](#)
[HR1 Room Humidistat \(215150\)](#)
[Presence detector/IR24-P \(6995\)](#)
[Safety switch 2-pole grey \(210679\)](#)
[VBC 125-3 Water heating batt \(9839\)](#)
[CB 125-1,2 230V/1 Duct heater \(5290\)](#)
[CBM 125-1,2 230V/1 Duct heater \(5480\)](#)
[CWK 125-3-2,5 Duct cooler,circ \(30021\)](#)
[FGR 125 Filter cassette \(1804\)](#)
[LDC 125-1200 Silencer \(5997\)](#)
[LDC 125-600 Silencer \(5190\)](#)
[RSK-125 Back draft damper \(5598\)](#)
[THS 160 Hood w.cover pl. black \(1839\)](#)
[VBF 125 Water heating battery \(1730\)](#)

[RE 1,5 Speed control \(5000\)](#)
[REPT 6 Digital regulator \(5698\)](#)
[REU 1.5 Speed control \(5004\)](#)
[SG 125 Protection guard \(5607\)](#)
[CO2RT-R-D Transmitter \(6993\)](#)
[Frequency converter FRQSE-6A \(37419\)](#)
[IGK-125 Wall Grid \(1631\)](#)
[RT 0-30 Room Thermostat \(5151\)](#)
[T 120 Timer \(5165\)](#)
[CB 125-0,6 230V/1 Duct heater \(5289\)](#)
[CB 125-1,8 230V/1 Duct heater \(5377\)](#)
[CBMF 125-1,2 230V/1 Duct heater \(12242\)](#)
[FFR 125 Filter cassette \(1768\)](#)
[FK 125 Fast clamp \(1608\)](#)
[LDC 125-300 Silencer \(53722\)](#)
[LDC 125-900 Silencer \(5191\)](#)
[THB 160 Hood w.cover pl. black \(1764\)](#)
[VBC 125-2 Water heating batt \(5457\)](#)
[Room hygrostat HR-S \(286251\)](#)

Documents

[INSTALLATION_OPERATION_AND_MAINTENANCE_INSTRUCTION_K_KV_PRIO_273896_EN_008.PDF](#)
[COMMISSIONING_RECCORD_FANS_EN.PDF](#)
[K fan mounting.wmv](#)