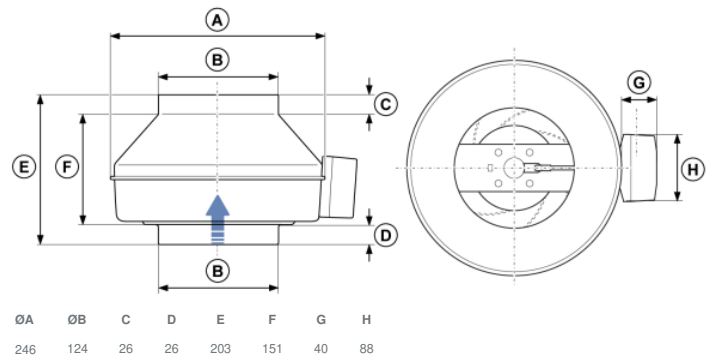




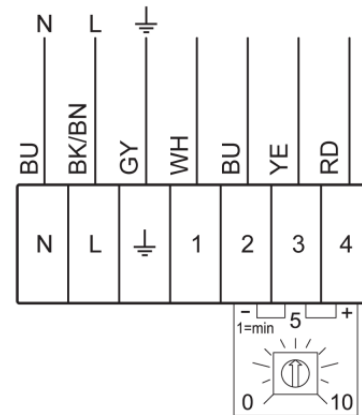
Technical parameters

Nominal data	
Voltage (nominal)	230 V
Frequency	50; 60 Hz
Phases	1~
Input power	83 W
Input current	0.678 A
Impeller speed	3,308 rpm
Air flow	max 482 m ³ /h
Temperature of transported air	max 60 °C
Max temperature of transported air, when speed controlled	60 °C
Sound data	
Sound pressure level at 3m (20m ² Sabin)	46 dB(A)
Protection/Classification	
Enclosure class, motor	IP54
Insulation class	B
Data according to ErP	
ErP ready	ErP 2016; ErP 2018
Dimensions and weights	
Duct dimension; Circular, inlet	125 mm
Duct dimension; Circular, outlet	125 mm
Weight	2.8 kg
Others	
Duct connection type	Circular
Motor type	EC

Dimension



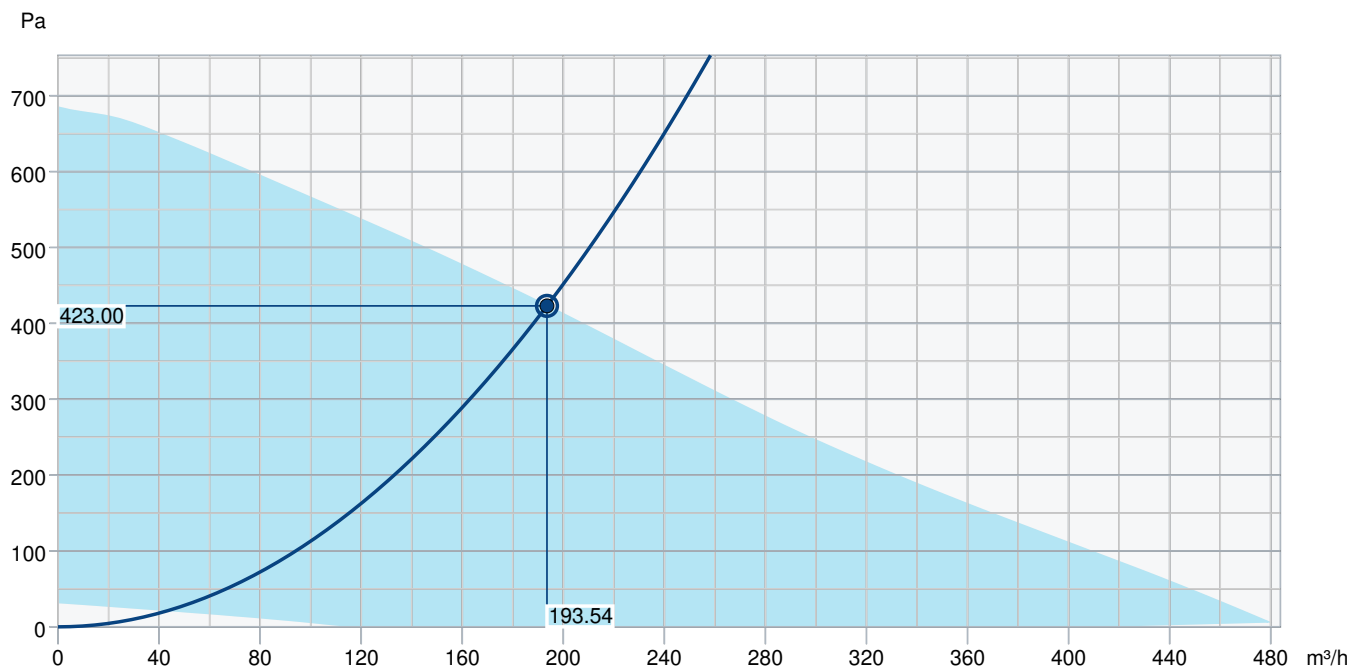
Wiring



Terminal	Cable	Description
N	BU = Blue	
L	BK/BN = Black or Brown	
GND	GY = Green/Yellow	
1	WH = White	Tacho output, Isink max 10mA
2	BU = Blue	GND
3	YE = Yellow	Control input 0-10 VDC/PWM
4	RD = Red	Output 10 VDC max 1.1 mA

Internal potentiometer is mounted (removable) on the terminal block from the factory. Remove the internal potentiometer when you use an external speed controller for the EC fan.

Performance curve



Hydraulic data										
Required air flow										194 m³/h
Required static pressure										423 Pa
Working air flow										194 m³/h
Working static pressure										423 Pa
Air density										1.204 kg/m³
Power										78.9 W
Fan control - RPM										3,473 rpm
Current										0.60 A
SFP										1.468 kW/m³/s
Control voltage										10.0 V
Supply voltage										230 V
Sound power level		63	125	250	500	1k	2k	4k	8k	Total
Inlet	dB(A)	54	65	76	74	71	66	61	53	79
Outlet	dB(A)	54	66	74	72	68	65	60	52	78
Surrounding	dB(A)	16	13	38	48	48	44	44	34	53
Sound pressure level at 3m (20m² Sabine)	dB(A)	-	-	-	-	-	-	-	-	46
Sound pressure level at 3m free field	dB(A)	-	-	-	-	-	-	-	-	32
Accessories										

Accessories

- | | |
|---|--|
| CXE/AVC Modbus (37256) | EC-Basic-CO2 and temperature (24808) |
| EC-Basic-H humidity (24807) | EC-Basic-T temperature (24805) |
| EC-Basic-U universal 0-10V (24806) | EC-Selector (9908) |
| EC-Vent control board (3115) | EC-Vent Room Unit (3018) |
| IGC-125 Intake grille (76875) | MTP 10, 10K, Speed control (32731) |
| MTV-1/010 Controller 0..10V+ (30650) | Potentiometer MTP 20, 0-10V (310220) |
| REV-3POL/03-7.5kW R/Y (33978) | SG 125 Protection guard (5607) |
| VKK-125 Back draft damper (1624) | CO2RT-R-D Transmitter (6993) |
| HR1 Room Humidistat (215150) | IGK-125 Wall Grid (1631) |
| Presence detector/IR24-P (6995) | RT 0-30 Room Thermostat (5151) |
| Safety switch 2-pole grey (210679) | VBC 125-3 Water heating batt (9839) |
| CB 125-0,6 230V/1 Duct heater (5289) | CB 125-1,2 230V/1 Duct heater (5290) |
| CB 125-1,8 230V/1 Duct heater (5377) | CBM 125-1,2 230V/1 Duct heater (5480) |
| CBMF 125-1,2 230V/1 Duct heater (12242) | CWK 125-3-2,5 Duct cooler,circ (30021) |
| FFR 125 Filter cassette (1768) | FGR 125 Filter cassette (1804) |
| FK 125 Fast clamp (1608) | LDC 125-300 Silencer (53722) |
| LDC 125-600 Silencer (5190) | LDC 125-900 Silencer (5191) |
| RSK-125 Back draft damper (5598) | VBC 125-2 Water heating batt (5457) |
| VBF 125 Water heating battery (1730) | VK-12 Louvre-shutter (87685) |
| Room hygrostat HR-S (286251) | |

Documents

- INSTALLATION_OPERATION_AND_MAINTENANCE_INSTRUCTION_K_KV_PRIO_273896_EN_008.PDF
 COMMISSIONING_RECCORD_FANS_EN.PDF