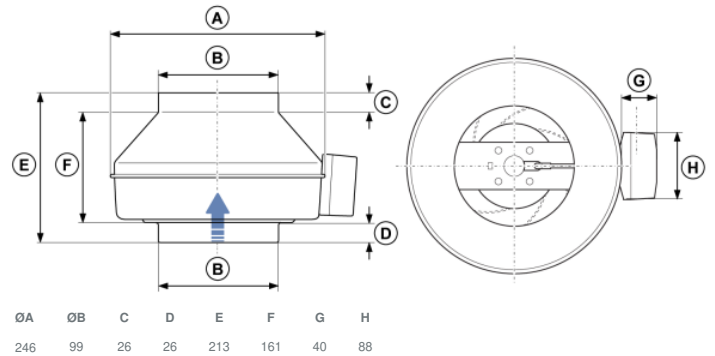




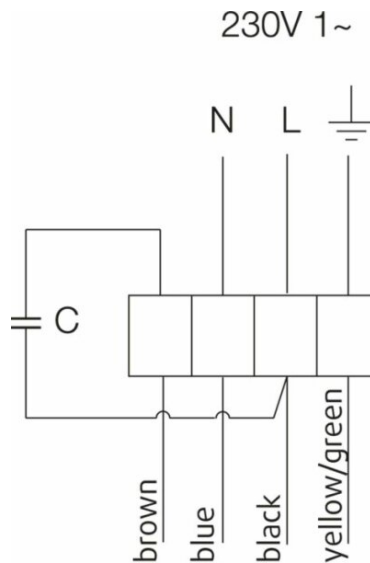
Technical parameters

Nominal data	
Voltage (nominal)	230 V
Frequency	50 Hz
Phases	1~
Input power	52 W
Input current	0.227 A
Impeller speed	2,418 rpm
Air flow	max 285 m ³ /h
Capacitance of capacitor	1.5 μF
Temperature of transported air	max 70 °C
Max temperature of transported air, when speed controlled	70 °C
Sound data	
Sound pressure level at 3m (20m ² Sabin)	45 dB(A)
Protection/Classification	
Enclosure class, motor	IP44
Insulation class	B
Data according to ErP	
Energy class, Basic unit	E
Energy class, Local demand	C
ErP ready	ErP 2016; ErP 2018
Dimensions and weights	
Duct dimension; Circular, inlet	100 mm
Duct dimension; Circular, outlet	100 mm
Weight	3 kg
Others	
Duct connection type	Circular
Motor type	AC

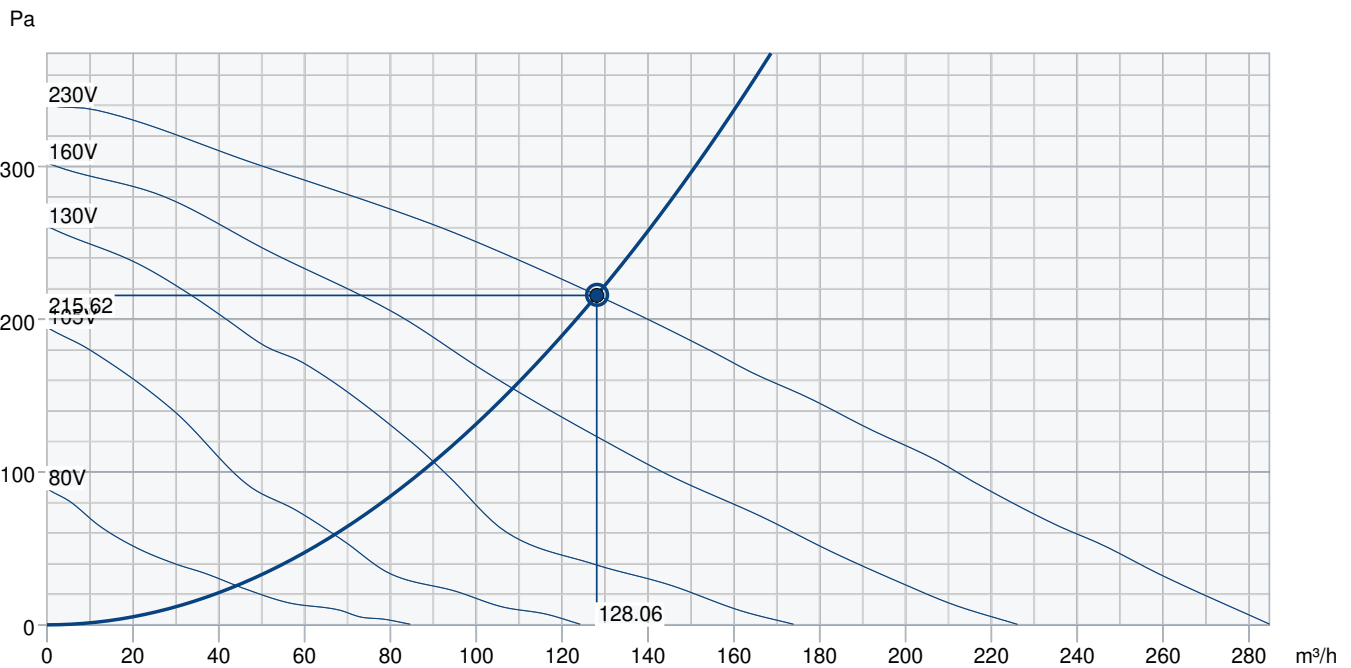
Dimension



Wiring



Performance curve



Hydraulic data										
Required air flow										128 m³/h
Required static pressure										216 Pa
Working air flow										128 m³/h
Working static pressure										216 Pa
Air density										1.204 kg/m³
Power										46.9 W
Fan control - RPM										2,550 rpm
Current										0.20 A
SFP										1.320 kW/m³/s
Control voltage										230.0 V
Supply voltage										230 V
Sound power level		63	125	250	500	1k	2k	4k	8k	Total
Inlet	dB(A)	55	66	63	66	64	60	52	40	72
Outlet	dB(A)	56	65	59	62	62	57	49	37	69
Surrounding	dB(A)	29	17	29	49	47	45	39	27	52
Sound pressure level at 3m (20m² Sabine)	dB(A)	-	-	-	-	-	-	-	-	45
Sound pressure level at 3m free field	dB(A)	-	-	-	-	-	-	-	-	31
Accessories										

Accessories

- | | |
|---|---|
| <ul style="list-style-type: none"> Frequency converter FRQ5SE-6A (37421) REE 1 Speed control (5314) RETP 6 Temp/Pressure regulator (32293) REV-3POL/03-7.5kW R/Y (33978) VKK-100 Back draft damper (1623) DTV500A (96807) HR1 Room Humidistat (215150) Presence detector/IR24-P (6995) Safety switch 2-pole grey (210679) CB 100-0,4 230V/1 Duct heater (5288) CBM 100-0,6 230V/1 Duct heater (5479) FFR 100 Filter cassette (1766) FK 100 Fast clamp (1607) LDC 100-300 Silencer (8180) LDC 100-900 Silencer (5189) THB 160 Hood w.cover pl. black (1764) VBC 100-2 Water heating batt (5456) VBF 100 Water heating battery (1724) | <ul style="list-style-type: none"> RE 1,5 Speed control (5000) REPT 6 Digital regulator (5698) REU 1.5 Speed control (5004) SG 100 Protection guard (5606) CO2RT-R-D Transmitter (6993) Frequency converter FRQSE-6A (37419) IGK-100 Wall Grid (1630) RT 0-30 Room Thermostat (5151) T 120 Timer (5165) CB 100-0,6 230V/1 Duct heater (5376) CWK 100-3-2,5 Duct cooler,circ (30019) FGR 100 Filter cassette (1802) LDC 100-1200 Silencer (5996) LDC 100-600 Silencer (5188) RSK-100 Back draft damper (5597) THS 160 Hood w.cover pl. black (1839) VBC 100-3 Water heating batt (9838) Room hygrostat HR-S (286251) |
|---|---|

Documents

- INSTALLATION_OPERATION_AND_MAINTENANCE_INSTRUCTION_K_KV_PRIO_273896_EN_008.PDF
- COMMISSIONING_RECCORD_FANS_EN.PDF
- K fan mounting.wmv