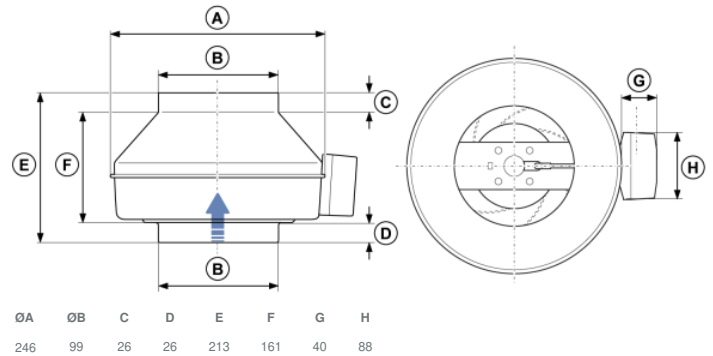




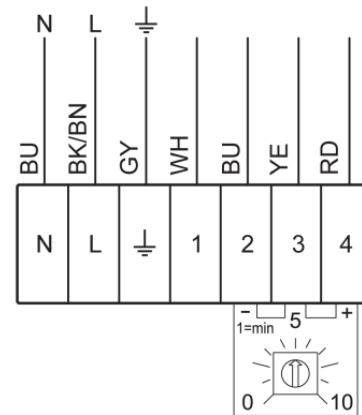
## Technical parameters

| Nominal data  |                           |
|---|---------------------------|
| Voltage (nominal)   | 230 V                     |
| Frequency   | 50; 60 Hz                 |
| Phases  | 1~                        |
| Input power   | 83 W                      |
| Input current   | 0.69 A                    |
| Impeller speed  | 3.479 rpm                 |
| Air flow  | max 321 m <sup>3</sup> /h |
| Temperature of transported air                            | max 60 °C                 |
| Max temperature of transported air, when speed controlled | 60 °C                     |
| Sound data  |                           |
| Sound pressure level at 3m (20m <sup>2</sup> Sabin)       | 50 dB(A)                  |
| Protection/Classification                                 |                           |
| Enclosure class, motor                                    | IP54                      |
| Insulation class  | B                         |
| Data according to ErP                                     |                           |
| Energy class, Basic unit                                  | E                         |
| Energy class, Local demand                                | B                         |
| ErP ready   | ErP 2016; ErP 2018        |
| Dimensions and weights                                    |                           |
| Duct dimension; Circular, inlet                           | 100 mm                    |
| Duct dimension; Circular, outlet                          | 100 mm                    |
| Weight  | 2.9 kg                    |
| Others  |                           |
| Duct connection type                                      | Circular                  |
| Motor type  | EC                        |

## Dimension



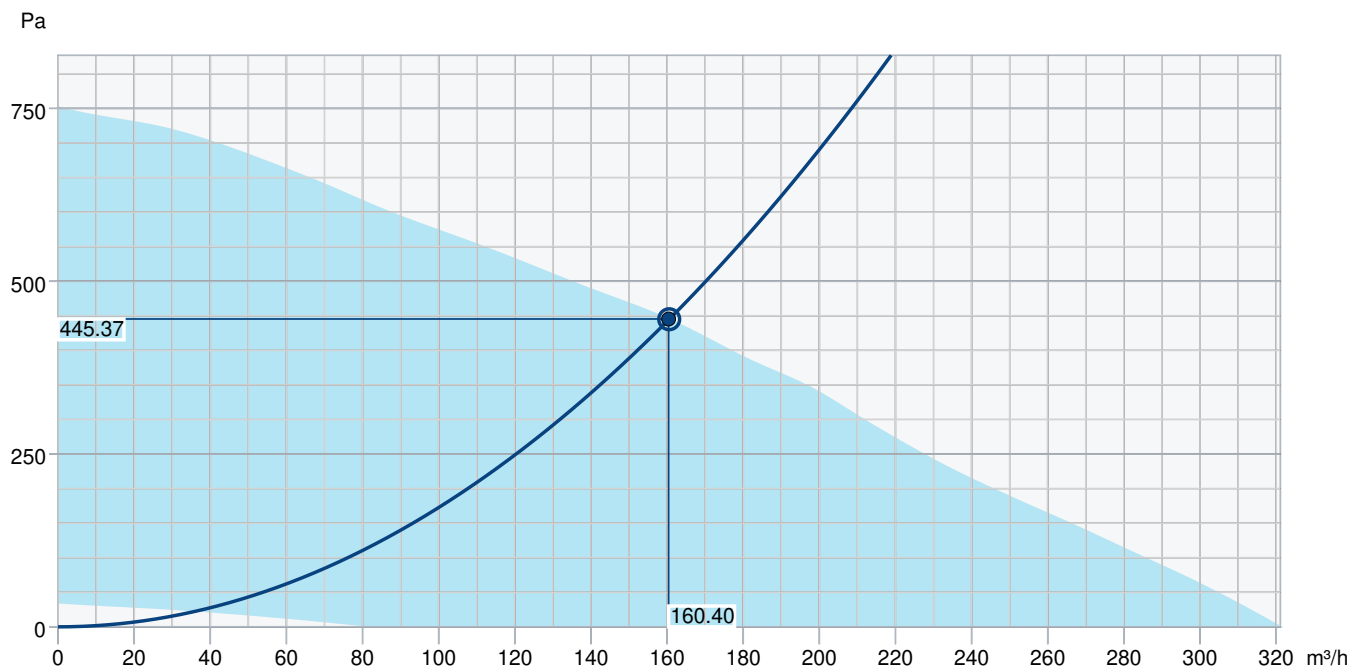
## Wiring



| Terminal | Cable                  | Description                  |
|----------|------------------------|------------------------------|
| N        | BU = Blue              |                              |
| L        | BK/BN = Black or Brown |                              |
| GND      | GY = Green/Yellow      |                              |
| 1        | WH = White             | Tacho output, Isink max 10mA |
| 2        | BU = Blue              | GND                          |
| 3        | YE = Yellow            | Control input 0-10 VDC/PWM   |
| 4        | RD = Red               | Output 10 VDC max 1.1 mA     |

Internal potentiometer is mounted (removable) on the terminal block from the factory. Remove the internal potentiometer when you use an external speed controller for the EC fan.

## Performance curve



| Hydraulic data                           |               |    |     |     |     |    |    |    |    |       |
|--|---------------|----|-----|-----|-----|----|----|----|----|-------|
| Required air flow                        | 161 m³/h      |    |     |     |     |    |    |    |    |       |
| Required static pressure                 | 445 Pa        |    |     |     |     |    |    |    |    |       |
| Working air flow                         | 160 m³/h      |    |     |     |     |    |    |    |    |       |
| Working static pressure                  | 445 Pa        |    |     |     |     |    |    |    |    |       |
| Air density                              | 1.204 kg/m³   |    |     |     |     |    |    |    |    |       |
| Power                                    | 80.0 W        |    |     |     |     |    |    |    |    |       |
| Fan control - RPM                        | 3,608 rpm     |    |     |     |     |    |    |    |    |       |
| Current                                  | 0.70 A        |    |     |     |     |    |    |    |    |       |
| SFP                                      | 1.795 kW/m³/s |    |     |     |     |    |    |    |    |       |
| Control voltage                          | 10.0 V        |    |     |     |     |    |    |    |    |       |
| Supply voltage                           | 230 V         |    |     |     |     |    |    |    |    |       |
| Sound power level                        |               | 63 | 125 | 250 | 500 | 1k | 2k | 4k | 8k | Total |
| Inlet                                    | dB(A)         | 57 | 73  | 71  | 75  | 71 | 66 | 59 | 50 | 79    |
| Outlet                                   | dB(A)         | 58 | 73  | 67  | 71  | 71 | 66 | 60 | 50 | 78    |
| Surrounding                              | dB(A)         | 13 | 21  | 36  | 53  | 52 | 49 | 46 | 35 | 57    |
| Sound pressure level at 3m (20m² Sabine) | dB(A)         | -  | -   | -   | -   | -  | -  | -  | -  | 50    |
| Sound pressure level at 3m free field    | dB(A)         | -  | -   | -   | -   | -  | -  | -  | -  | 36    |
| Accessories                              |               |    |     |     |     |    |    |    |    |       |

## Accessories

|  |                                       |
|--|---------------------------------------|
| CXE/AVC Modbus (37256)                 | EC-Basic-CO2 and temperature (24808)  |
| EC-Basic-H humidity (24807)            | EC-Basic-T temperature (24805)        |
| EC-Basic-U universal 0-10V (24806)     | EC-Selector (9908)                    |
| EC-Vent control board (3115)           | EC-Vent Room Unit (3018)              |
| MTP 10, 10K, Speed control (32731)     | MTV-1/010 Controller 0..10V+ (30650)  |
| Potentiometer MTP 20, 0-10V (310220)   | REV-3POL/03-7,5kW R/Y (33978)         |
| SG 100 Protection guard (5606)         | Step switch S-5EC-2, 0-10V (449084)   |
| VKK-100 Back draft damper (1623)       | CO2RT-R-D Transmitter (6993)          |
| HR1 Room Humidistat (215150)           | IGK-100 Wall Grid (1630)              |
| Presence detector/IR24-P (6995)        | RT 0-30 Room Thermostat (5151)        |
| Safety switch 2-pole grey (210679)     | CB 100-0,4 230V/1 Duct heater (5288)  |
| CB 100-0,6 230V/1 Duct heater (5376)   | CBM 100-0,6 230V/1 Duct heater (5479) |
| CWK 100-3-2,5 Duct cooler,circ (30019) | FFR 100 Filter cassette (1766)        |
| FGR 100 Filter cassette (1802)         | FK 100 Fast clamp (1607)              |
| LDC 100-300 Silencer (8180)            | LDC 100-600 Silencer (5188)           |
| LDC 100-900 Silencer (5189)            | RSK-100 Back draft damper (5597)      |
| VBC 100-2 Water heating batt (5456)    | VBC 100-3 Water heating batt (9838)   |
| VBF 100 Water heating battery (1724)   | Room hygrostat HR-S (286251)          |

## Documents

INSTALLATION\_OPERATION\_AND\_MAINTENANCE\_INSTRUCTION\_K\_KV\_PRIO\_273896\_EN\_008.PDF  
 COMMISSIONING\_RECORD\_FANS\_EN.PDF