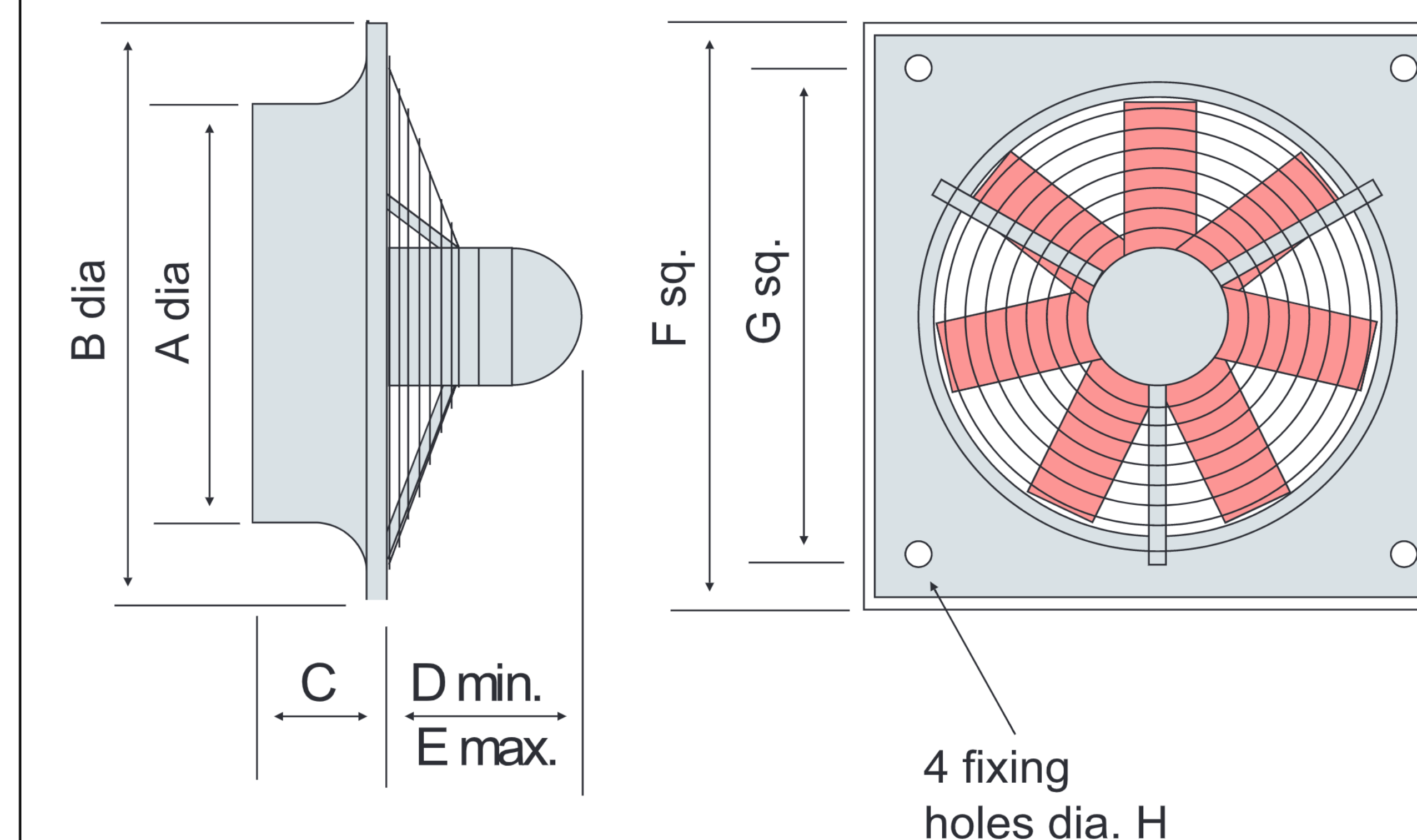
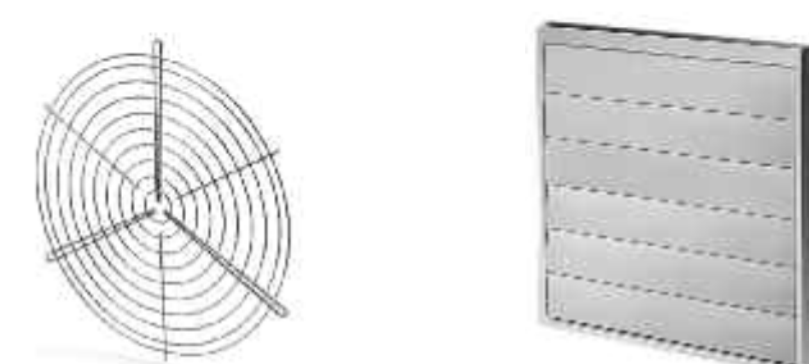


SPECIFICATION

- Mounting plate**
Galvanised sheet steel. Some models also have a two pack epoxy paint finish.
- Impeller**
Axial blades of impact resistant polymers. Suitable for temperatures of -30 to +60 °C.
- Motor**
Totally enclosed IP 54/55. Sealed for life ball bearings.
- Motor protection**
All fans have motor protection. 1 ph. are pre-wired, 3 ph. thermal contacts wire via MD or RDS protection device.
- Terminal box**
All terminal boxes are IP 55.
- Guard**
All models have zinc plated or galvanised motor side guards.
- Speed control**
All models are speed controllable using the controllers below.
- Installation**
Installation in any position.
- Sound levels**
The sound levels given below are dB(A) at a distance of 4 metres.



ANCILLARIES



Fan nominal size in mm	Impeller side Guard	Louvre shutter					
200	SG 200	VK 200					
250	SG 250	VK 250					
315	SG 315	VK 315					
355	SG 355	VK 355					
400	SG 400	VK 400					
450	SG 450	VK 450					
500	SG 500	VK 500					
560	SG 560	VK 630					
630	SG 630	VK 630					
710	SG 710	VK 710					

DIMENSIONS

Fan nominal size in mm	Dimensions in mm								
	A	B	C	D	E	F	G	H	
200	204	203	50	100	100	310	280	6.5	
250	254	280	60	100	100	360	330	9.0	
315	319	345	65	160	160	440	410	9.0	
355	359	390	70	190	230	475	440	9.0	
400	404	440	70	200	200	525	490	9.0	
450	454	490	90	220	220	575	535	9.0	
500	504	550	90	220	270	655	615	9.0	
560	560	630	140	210	260	730	675	11.0	
630	630	700	150	200	390	810	750	11.0	
710	710	810	220	390	410	895	810	11.0	



Plate Axial fans 200 to 710 mm diameter

Hotline:
01206 228 500



Single phase models 230 V / 1 ph. / 50 Hz

SELECTION DATA

Fan code	Speed rpm	Volume flow m ³ /s against static pressure Pa.												Motor power kW	Current		Max. air flow temp		Speed controller		Weight kg	Sound level @ 4 m dB(A)
		0	25	50	75	100	125	150	175	200	250	300	350		full load A	speed controlled A	standard +°C	speed controlled +°C	Transformer	Electronic		
HQW 200/4	1360	0.144	0.055											0.03	0.11	0.11	60	40	TSW 0.3	ESA 1	2.7	30
HQW 200/2	2300	0.253	0.222	0.136	0.098	0.061								0.07	0.26	0.26	60	40	TSW 0.3	ESA 1	2.7	43
HQW 250/4*	1380	0.267	0.150											0.04	0.20	0.20	60	40	TSW 0.3	ESA 1	7.5	44
HQW 250/2*	2590	0.531	0.507	0.486	0.459	0.431	0.392	0.317						0.23	1.10	1.10	60	40	TSW 1.5	ESA 1	6.5	63
HQW 315/4*	1405	0.589	0.542	0.472										0.13	0.60	0.60	60	40	TSW 1.5	ESA 1	8.0	51
HQW 355/4*	1405	0.844	0.792	0.722	0.625									0.19	0.95	0.95	60	40	TSW 1.5	ESA 1	9.5	55
HQW 400/4	1320	1.211	1.153	1.081	0.993	0.881								0.25	1.30	1.30	60	40	TSW 1.5	ESA 3	13.0	59
HQW 450/6	960	1.125	1.014	0.875										0.18	0.90	1.00	60	40	TSW 1.5	ESA 3	15.5	49
HQW 450/4	1250	1.494	1.422	1.319	1.215	1.058								0.49	2.10	2.10	60	40	TSW 3.0	ESA 3	15.5	62
HQW 500/6	910	1.492	1.356	1.181	0.833									0.22	1.10	1.20	60	40	TSW 1.5	ESA 3	17.3	52
HQW 500/4	1410	2.311	2.239	2.156	2.061	1.950	1.828	1.683	1.406					0.55	2.30	2.60	40	40	TSW 3.0	ESA 3 i	17.3	65
HQW 560/6	955	2.250	2.014	1.744	1.430									0.35	1.80	2.10	60	40	TSW 3.0	ESA 3 i	22.0	52
HQW 560/4	1405	3.586	3.460	3.345	3.211	3.058	2.892	2.708	2.511	2.297				0.90	4.50	5.60	40	40	TSW 7.5	ESA 6 i	25.0	62
HQW 630/6	955	2.922	2.665	2.408	2.083									0.45	2.50	3.20	60	40	TSW 5.0	ESA 6 i	25.0	55
HQW 630/4	1415	4.964	4.808	4.653	4.483	4.306	4.132	3.958	3.785	3.611	3.139			1.25	6.60	7.00	40	40	TSW 7.5	ESA 10 i	35.0	65
HQW 710/6	925	3.889	3.556	3.139	2.722									0.50	2.50	3.00	40	40	TSW 5.0	–	60.0	61

* ATEX certified explosion proof models available ring 01206 228 500.

Three phase models 400 V / 3 ph. / 50 Hz

SELECTION DATA

Fan code	Speed rpm	Volume flow m ³ /s against static pressure Pa.													Motor power kW	Current		Max. air flow temp		Speed controller	Weight kg	Sound level @ 4 m dB(A)
		0	25	50	75	100	125	150	175	200	250	300	350	450		full load A	speed controlled A	standard +°C	speed controlled +°C			
HQD 315/4*	1330	0.589	0.540	0.472										0.10	0.25	0.25	60	40	RDS 1 ¹⁾	8.0	51	
HQD 315/2*	2700	1.114	1.089	1.064	1.039	1.011	0.983	0.947	0.908	0.871	0.753			0.51	1.00	1.00	50	40	RDS 2 ¹⁾	8.0	70	
HQD 355/4*	1420	0.844	0.792	0.722	0.626									0.29	1.12	1.12	60	40	RDS 2 ¹⁾	9.5	55	
HQD 355/2*	2650	1.556	1.531	1.500	1.469	1.436	1.389	1.361	1.319	1.272	1.169	0.994		0.88	1.60	1.70	50	40	RDS 2 ¹⁾	14.0	74	
HQD 400/4*	1380	1.211	1.153	1.081	0.993	0.881								0.30	0.85	0.85	60	40	RDS 1 ¹⁾	13.0	59	
HQD 400/2	2800	2.347	2.319	2.292	2.259	2.228	2.193	2.157	2.083	2.078	1.992	1.897	1.786	1.40	2.80	–	40	–	Inverter	17.5	78	
HQD 450/4*	1350	1.611	1.422	1.447	1.342	1.225	1.028							0.48	0.90	1.10	50	40	RDS 2 ¹⁾	15.5	62	
HQD 500/4*	1320	2.164	2.028	1.911	1.811	1.692	1.519							0.61	1.25	1.25	40	40	RDS 2 ¹⁾	17.2	65	
HQD 560/4*	1380	3.586	3.460	3.319	3.176	3.028	2.892	2.708	2.511	2.297				0.80	1.75	1.80	40	40	RDS 2 ¹⁾	23.0	62	
HQD 630/6*	970	2.922	2.665	2.408	2.083									0.49	1.80	1.80	60	40	RDS 2 ¹⁾	28.0	55	
HQD 630/4/4	1390	4.964	4.809	4.653	4.483	4.306	4.132	3.959	3.820	3.611	3.139			1.33	3.80	3.80	40	40	RDS 4 ¹⁾	35.0	65	
HQD 710/4/4 26 deg	1370	6.556	6.404	6.251	6.042	5.862	5.700	5.450	5.208	4.996	4.528	4.028	3.133	2.20	5.90	5.80	40	40	RDS 7 ¹⁾	75.0	71	

* ATEX certified explosion proof models available ring 01206 228 500.

1) With motor overheat protection – requires 6 core cable to the fan.