

EZR 20/2 B



Short description

Axial duct fan, DN 200, alternating current

Application examples

Machine extraction unit, Showroom, Foreman's office, Workshop, Production site

Article number 0086.0000

Technical data

Air flow volume	1.100 m³/h
Rotating speed	2.850 1/min
Impeller type	axial
Speed controllable	✓
Reversing capacity	✓
Type of voltage	Alternating current
Rated voltage	230 V
Frequency	50 Hz
Nominal output	65 W
I _{nom}	0,3 A
I _{max}	0,51 A
Degree of protection	IP 55
Insulation class	B
Pole-changeable	–
Installation position	horizontal / vertical
Material	Sheet steel, galvanised
Colour	Silver
Weight	5,93 kg
Weight including packaging	6,52 kg
Nominal size	200 mm
Width	254 mm
Height	317 mm
Depth	240 mm
Width with packaging	345 mm
Height with packaging	340 mm
Depth with packaging	265 mm
Airstream temperature at nominal current	-20 °C up to 60 °C
Airstream temperature at I _{Max}	-20 °C up to 60 °C
Packing unit	1 piece

EZR 20/2 B

Range	C
GTIN (EAN)	4012799860006

Sound power level in octave range

	63 Hz	125 Hz	250 Hz	500 Hz	1 kHz	2 kHz	4 kHz	8 kHz	Total
L_{WA2}, S1 (dB(A))	14	19	28	23	23	18	21	26	32
L_{WA2}, S2 (dB(A))	18	36	46	45	44	43	39	39	52
L_{WA2}, S3 (dB(A))	23	37	53	52	52	52	48	44	59
L_{WA2}, S4 (dB(A))	26	38	54	54	54	54	50	46	61
L_{WA2}, S5 (dB(A))	27	39	54	55	55	55	51	47	62
L_{WA5}, S1 (dB(A))	21	15	29	34	26	18	21	23	36
L_{WA5}, S2 (dB(A))	23	35	54	58	56	58	55	43	63
L_{WA5}, S3 (dB(A))	35	40	61	64	63	65	63	53	71
L_{WA5}, S4 (dB(A))	40	40	58	71	66	67	64	55	74
L_{WA5}, S5 (dB(A))	37	40	57	74	67	68	65	56	76
L_{WA6}, S1 (dB(A))	14	21	26	32	30	25	24	24	36
L_{WA6}, S2 (dB(A))	25	37	49	60	64	62	58	47	68
L_{WA6}, S3 (dB(A))	32	41	54	68	70	69	65	57	74
L_{WA6}, S4 (dB(A))	36	41	51	68	72	71	67	60	76
L_{WA6}, S5 (dB(A))	34	42	52	70	73	72	68	60	77

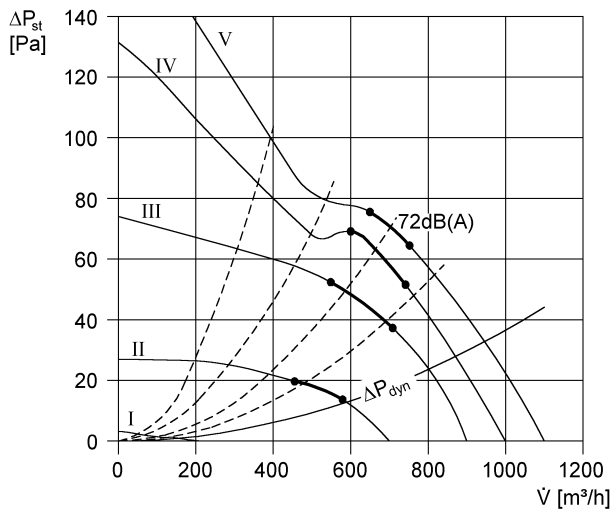
L_{WA2}= housing sound power level in dB.

L_{WA5}= free inlet sound power level in dB.

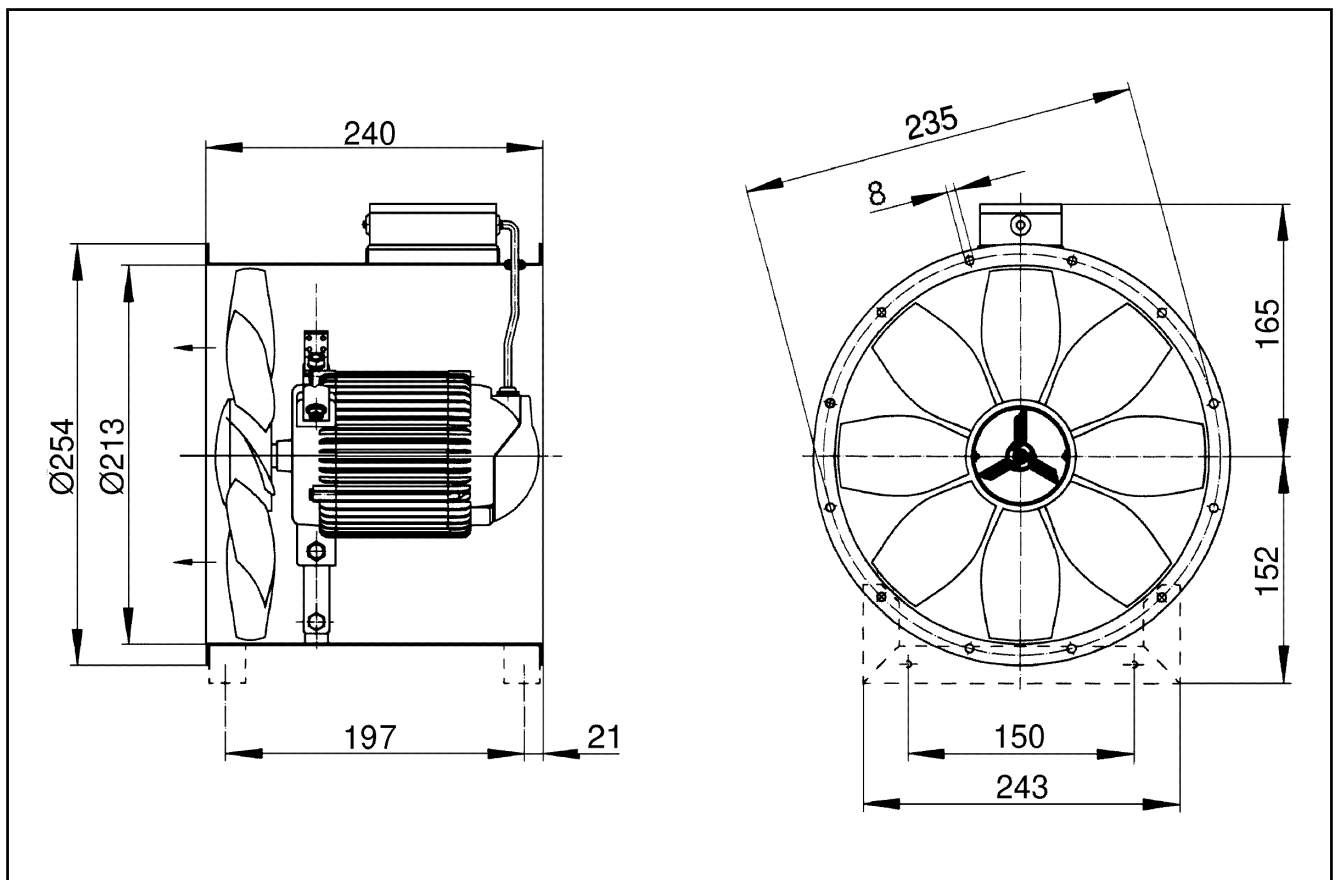
L_{WA6}= free outlet sound power level in dB.

EZR 20/2 B

Characteristic curve



Dimensioned drawing [mm]



Number of flange holes: 6