

# ER 100 RC



## Short description

Radio-controlled fan insert with cover and filter for installation in recessed-mounted housings, air volume adjustable at 35 m<sup>3</sup>/h, 60 m<sup>3</sup>/h, 100 m<sup>3</sup>/h

## Application examples

Multiple family unit, Single-family house, Flat occupying the whole of one floor, Commercial premises, Office

Article number 0084.0129

## Technical data

Model	Radio receiver
Air flow volume	35 m <sup>3</sup> /h / 60 m <sup>3</sup> /h / 100 m <sup>3</sup> /h
Rotating speed	850 1/min / 1.250 1/min / 1.900 1/min
Air direction	Exhaust air
Speed controllable	–
SEC average	-6,72 kWh/(m <sup>2</sup> *a)
Type of voltage	Alternating current
Rated voltage	230 V
Frequency	50 Hz
Power consumption	10 W / 21 W / 29,5 W
I <sub>max</sub>	0,1 A / 0,12 A / 0,14 A
Degree of protection	IP X5
Mains cable	3 x 1,5 mm <sup>2</sup>
Installation site	Wall / Ceiling
Type of installation	Recessed-mounted
Installation position	vertical / horizontal
System type	Decentralised
Material	Synthetic material
Colour	Traffic white, similar to RAL 9016
Weight	1,5 kg
Weight including packaging	1,8 kg
Filter class	ISO Coarse 30 % (G2)
Width	250 mm
Height	250 mm
Depth	138 mm
Width with packaging	280 mm
Height with packaging	280 mm
Depth with packaging	150 mm
Airstream temperature at I <sub>Max</sub>	40 °C

# ER 100 RC

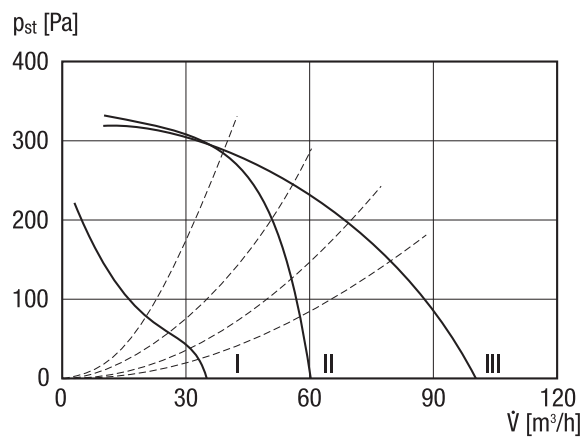
Ambient temperature	-10 °C up to 40 °C
Sound pressure level	27 dB(A) / 36 dB(A) / 45 dB(A) (Specifications in accordance with DIN 18017-3 at an equivalent absorption area $A_L = 10 \text{ m}^2$ )
Packing unit	1 piece
Range	B
GTIN (EAN)	4012799841296

## Sound power level in octave range

	63 Hz	125 Hz	250 Hz	500 Hz	1 kHz	2 kHz	4 kHz	8 kHz	Total
<b>L<sub>WA7, low</sub> (dB(A))</b>	–	–	–	–	–	–	–	–	31
<b>L<sub>WA7, medi-um</sub> (dB(A))</b>	–	–	–	–	–	–	–	–	40
<b>L<sub>WA7, high</sub> (dB(A))</b>	–	–	–	–	–	–	–	–	49

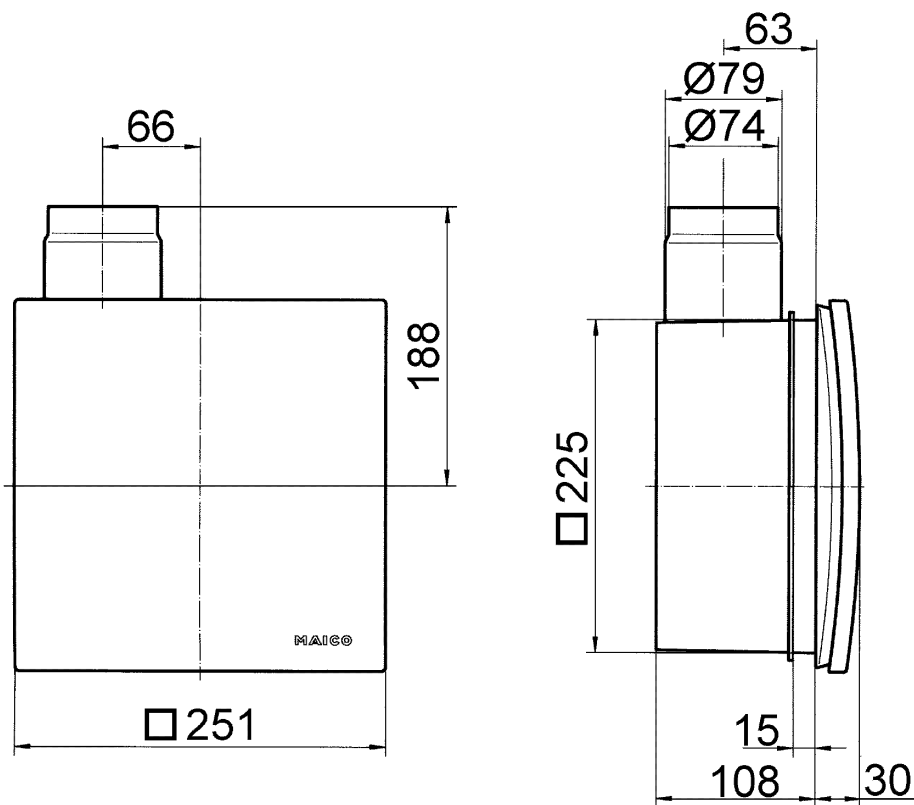
L<sub>WA7</sub>= housing and free inlet sound power level in dB.

## Characteristic curve



# ER 100 RC

Dimensioned drawing [mm]



ER fan insert with recessed-mounted housing ER-UP/G or ER-UPD

# ER 100 RC

Dimensioned drawing [mm]



ER fan insert with recessed-mounted housing ER-UP/G or ER-UPD and second room connection