

ENR 31



Short description

Axial wall-mounted fan for ventilation and air extraction, DN 310

Application examples

Office, Office, Commercial premises, Restaurant, Production facility

Article number 0081.0318

Technical data

Air flow volume	1.500 m ³ /h
Rotating speed	1.210 1/min
Impeller type	axial
Air direction	Ventilation or air extraction
Speed controllable	✓
Reversing capacity	✓
Type of voltage	Alternating current
Rated voltage	230 V
Frequency	50 Hz
Nominal output	76 W
I _{max}	0,33 A
Degree of protection	IP 44
Mains cable	5 x 1,5 mm ²
Installation site	Wall / Ceiling
Type of installation	Surface-mounted
Installation position	any
Material	Synthetic material
Colour	Traffic white, similar to RAL 9016
Weight	4,65 kg
Weight including packaging	5,83 kg
Nominal size	315 mm
Width	445 mm
Height	445 mm
Depth	186 mm
Width with packaging	475 mm
Height with packaging	475 mm
Depth with packaging	220 mm
Airstream temperature at I _{Max}	40 °C
Sound pressure level	57 dB(A)

ENR 31

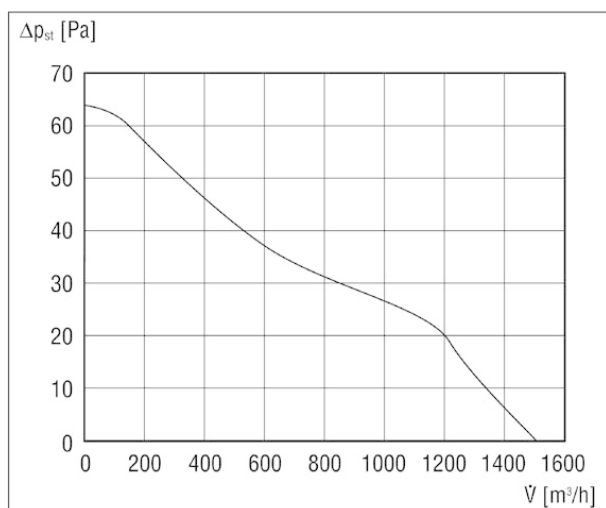
Packing unit	1 piece
Range	C
GTIN (EAN)	4012799813187

Sound power level in octave range

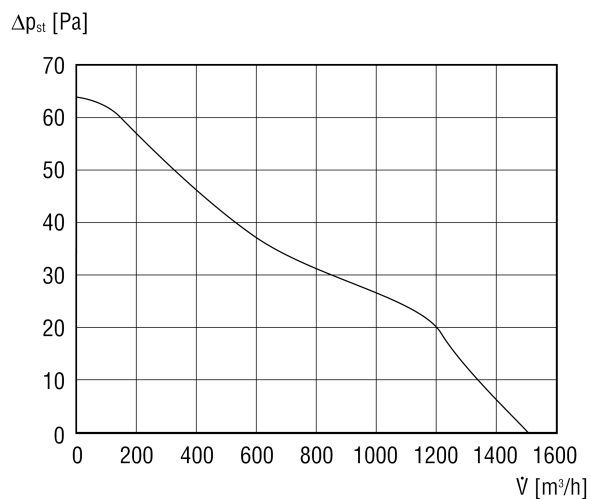
	63 Hz	125 Hz	250 Hz	500 Hz	1 kHz	2 kHz	4 kHz	8 kHz	Total
L_{WA7, high} (dB(A))	-	-	-	-	-	-	-	-	66

L_{WA7}= housing and free inlet sound power level in dB.

Characteristic curve

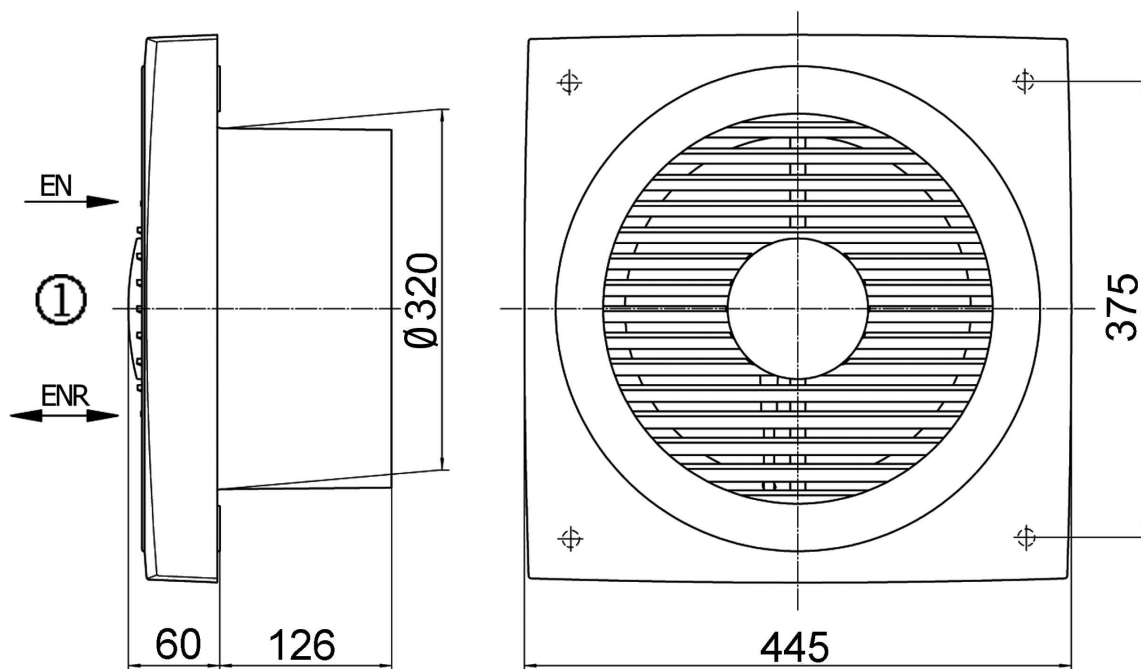


Characteristic curve



ENR 31

Dimensioned drawing [mm]



① Inside