

# EMKI 6035 EC 22

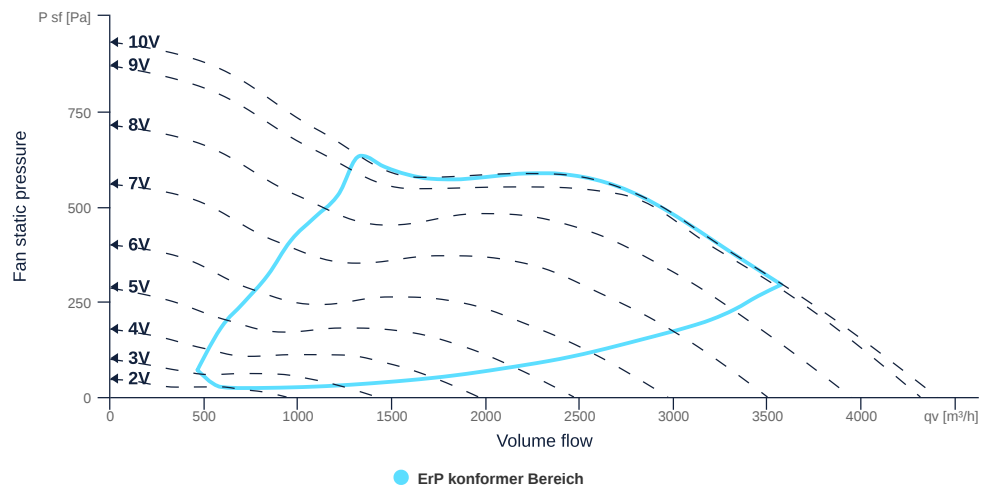
136752

- Efficiency optimized diagonal fan
- Optimally tuned and CFD-optimized aerodynamics
- Soundproof housing made of galvanized sheet steel
- High efficiency EC motor, steplessly controllable
- Conveyed medium temperature up to 60 °C in continuous operation
- Fan unit removable via inspection cover



## MAP

Name	Value	Unit
Volume flow	0	m³/h
Pressure	0	Pa



zur Produktseite

## GENERAL DATA

Name	Value	Unit	Formula symbol
ERP conformity	Yes		
Certifications	CE, UKCA		
Duct size	600x350		WxH <sub>duct</sub>
Pipe connection size (DN)	-		DN
Rated voltage (entire device)	230	V	U <sub>rated</sub>
Phases (entire device)	1~		phase
Electrical protection (entire device)	6 A		fuse
Housing material	Galvanized steel		mat <sub>casing</sub>
Impeller material	Plastic		mat <sub>impeller</sub>
Weight	17.5	kg	m
Nominal air flow rate, nominal point m <sup>3</sup> /h	2725.2	m <sup>3</sup> /h	q <sub>v,nom</sub>
Nominal external pressure, static	533.6	Pa	p <sub>s,nom</sub>
Fan type	Diagonal		Fan <sub>type</sub>
Category / Installation situation	A		cat

## ERP DATA (LOT 6)

Name	Value	Unit	Formula symbol
Nominal air flow rate, nominal point m <sup>3</sup> /s	0.76	m <sup>3</sup> /s	q <sub>v,nom</sub>
Actual electrical input power, nominal point	0.69	kW	P <sub>e,nom</sub>
Face velocity, nominal point	3.6	m/s	v <sub>nom</sub>
Nominal external pressure, static	533.6	Pa	p <sub>s,nom</sub>
supply air fan static efficiency, nominal point	63.4	%	η <sub>es,SUP</sub>
Enclosure sound level, nominal point	66	dB(A)	L <sub>WA2</sub>
Rating	Product is compliant 2018		



## MAXIMAL DATA

Name	Value		Unit	Formula symbol
	50 Hz	60 Hz		
Max. power consumption (device)	716	716	W	$P_{ed, max}$
Max. operating current (device)	3.29	3.29	A	$I_{ed, max}$
Max. speed	3010	3010	1/min	$n_{max}$
Max. stat. efficiency	54.9	54.9	%	$\eta_{es}$
Max. fan efficiency	55.7	55.7	%	$\eta_e$
Max. flowrate	4390	4390	m <sup>3</sup> /h	$Q_v, max$
Max. stat pressure	920	920	Pa	$p_{st, max}$
Max. medium temperature	60	60	°C	$T_{m, max}$
Max. environment temperature	60	60	°C	$T_{amb, max}$
Min. environment temperature	-25	-25	°C	$T_{amb, min}$
Min. voltage	230	230	V	$U_{min}$

## MOTOR DATA

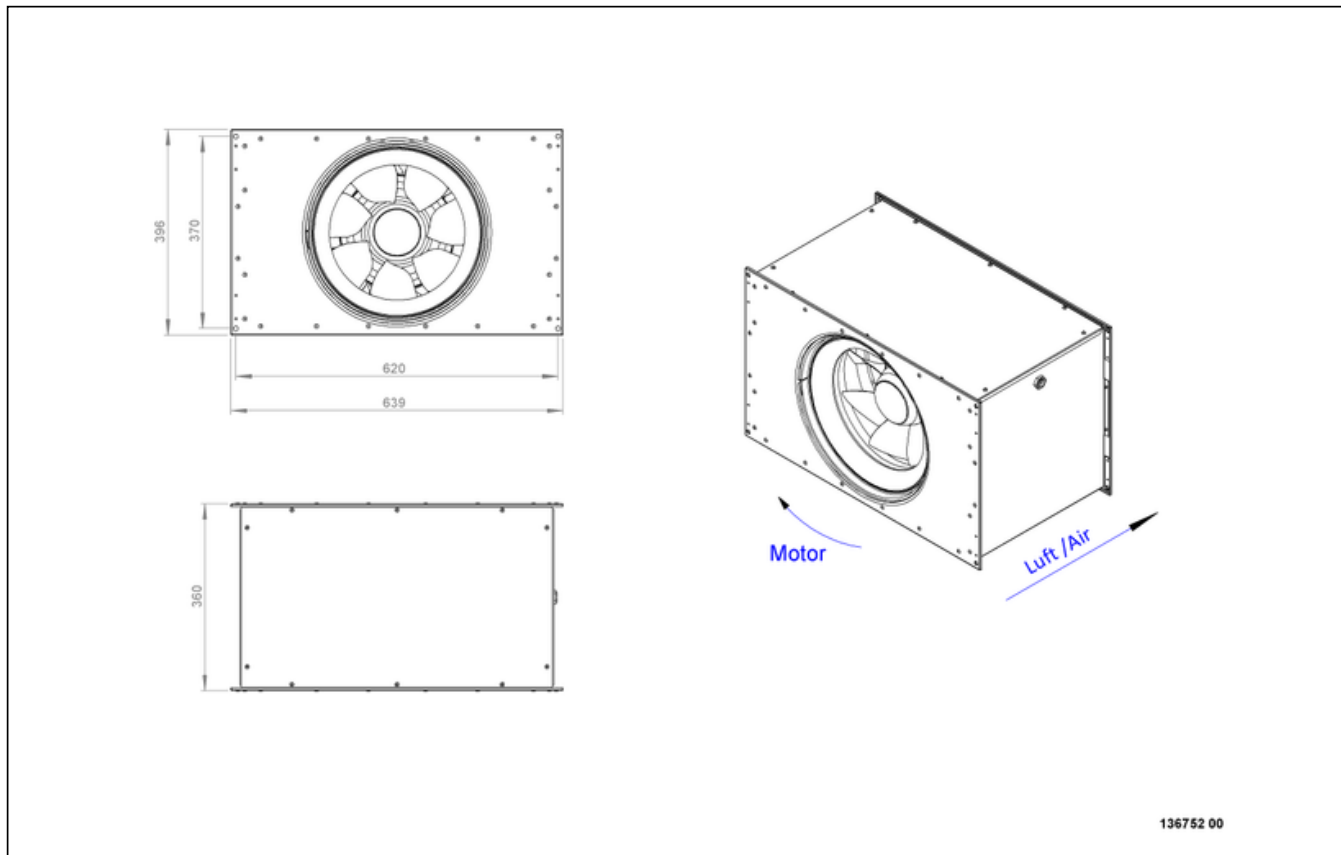
Name	Value		Unit	Formula symbol
	50 Hz	60 Hz		
Rated frequency (device)		50		f
Motor type		EC		phase
Control type		stepless-controlled		ctrltype
Installation type		ORM (Out)		install
Rotation direction		right		rotation
Isolation class		ISO F		ISOclass
Motor-protection		TEC		protectmotor
Protection class		IP20		IP <sub>motor</sub>
Is pole-changeable		No		polexch
Type of power supply		AC 1~		pwrSUP <sub>motor</sub>
Rated voltage	230	230	V	$U_{rated, f1}$
Rated current	3.3	3.3	A	$I_{rated, f1}$
Shaft power	600	600	W	$P_{out, f1}$
Speed	2300	2300	1/min	$n_{f1}$
Min. temperature	-25	-25	°C	$T_{motor, min}$
UL-Certification motor		UL recognized		ULcert



# EMKI 6035 EC 22

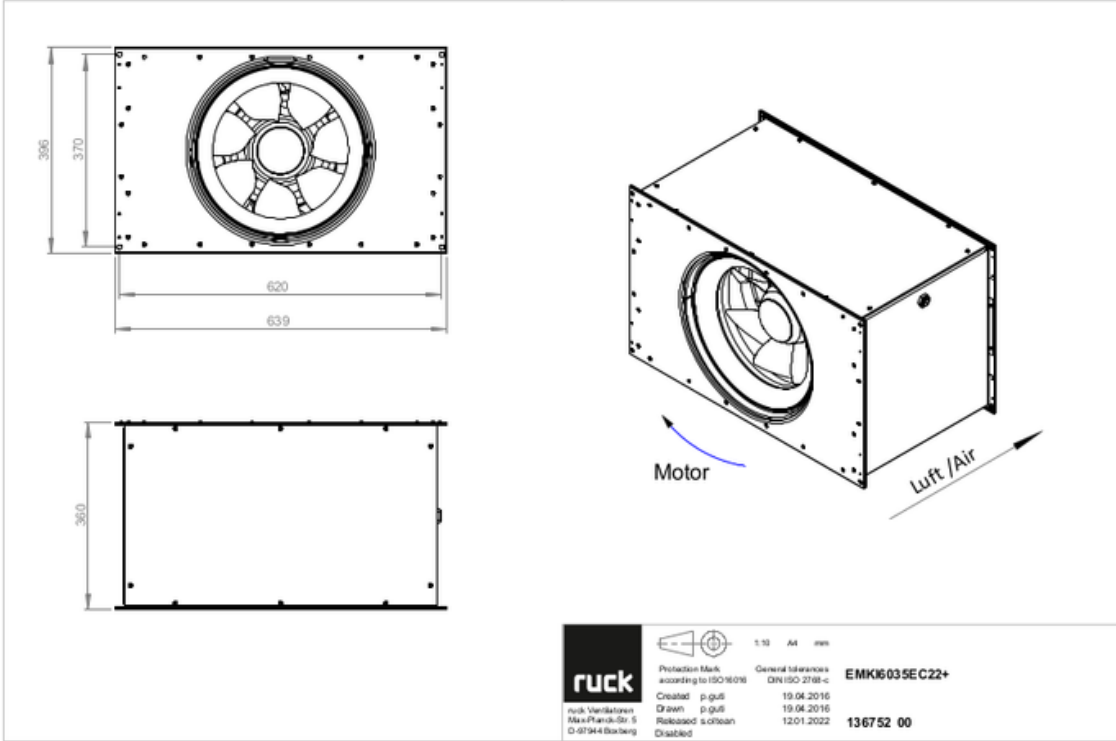
136752

## SCHALTPLÄNE / MASSZEICHNUNGEN



# EMKI 6035 EC 22

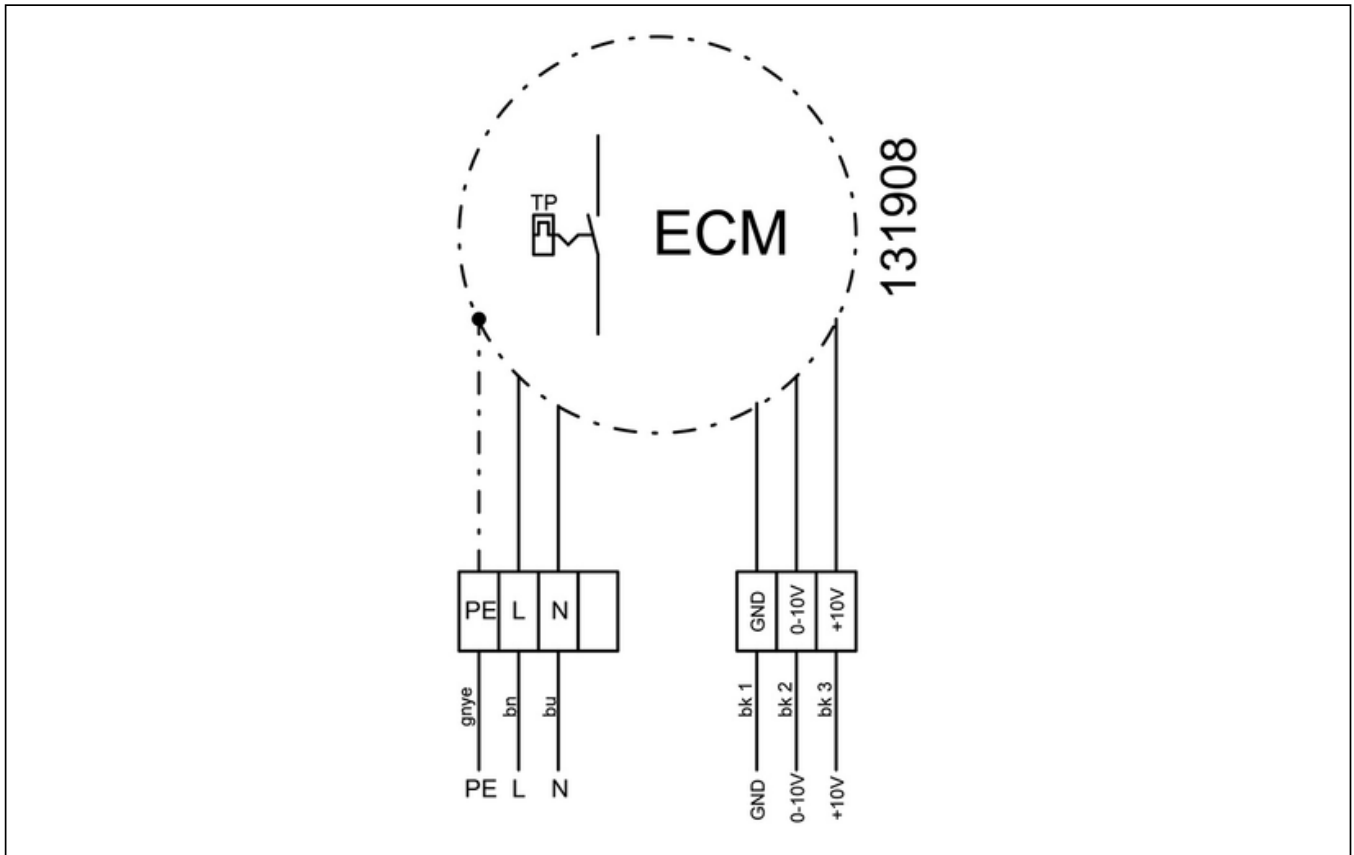
136752



zur Produktseite

# EMKI 6035 EC 22

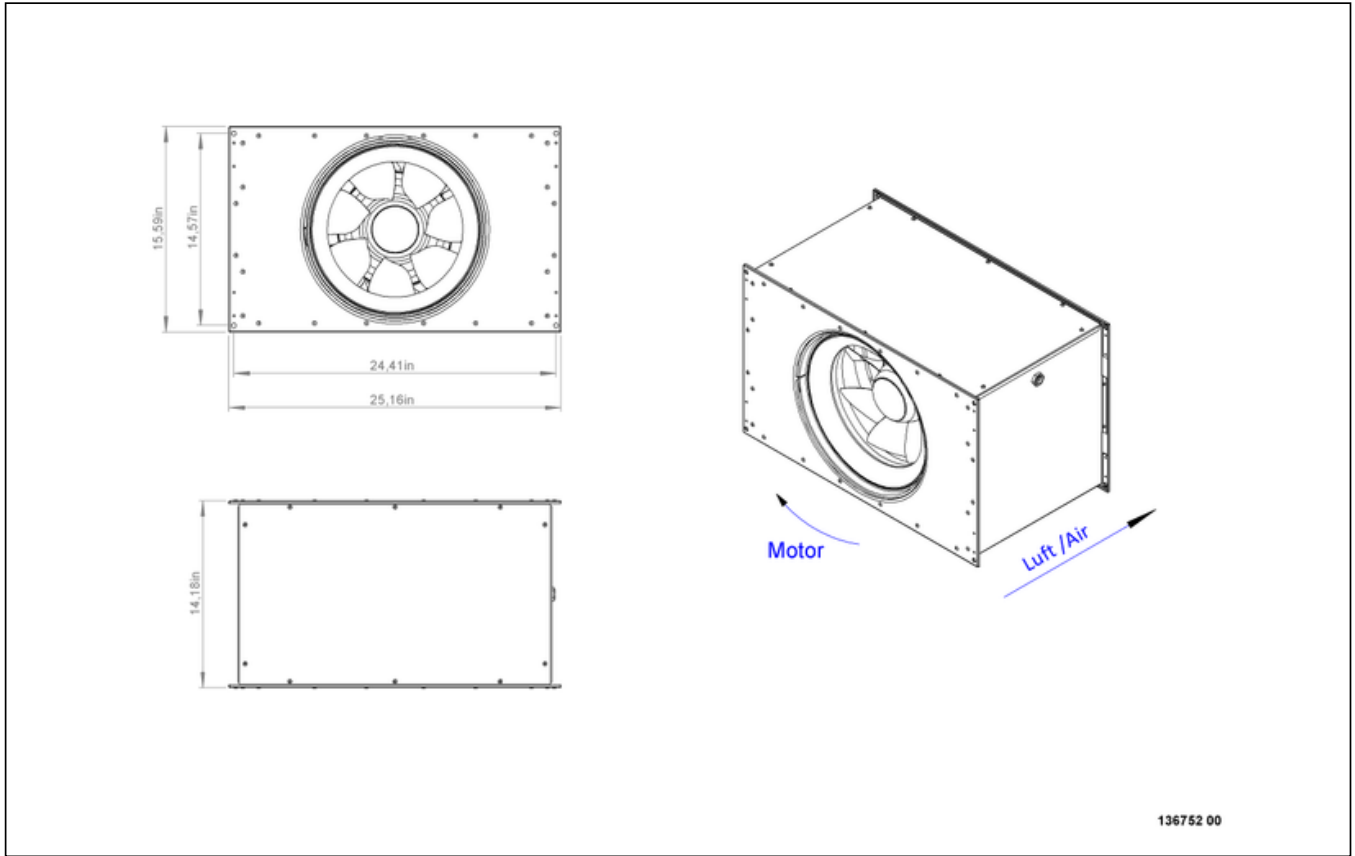
136752



zur Produktseite

# EMKI 6035 EC 22

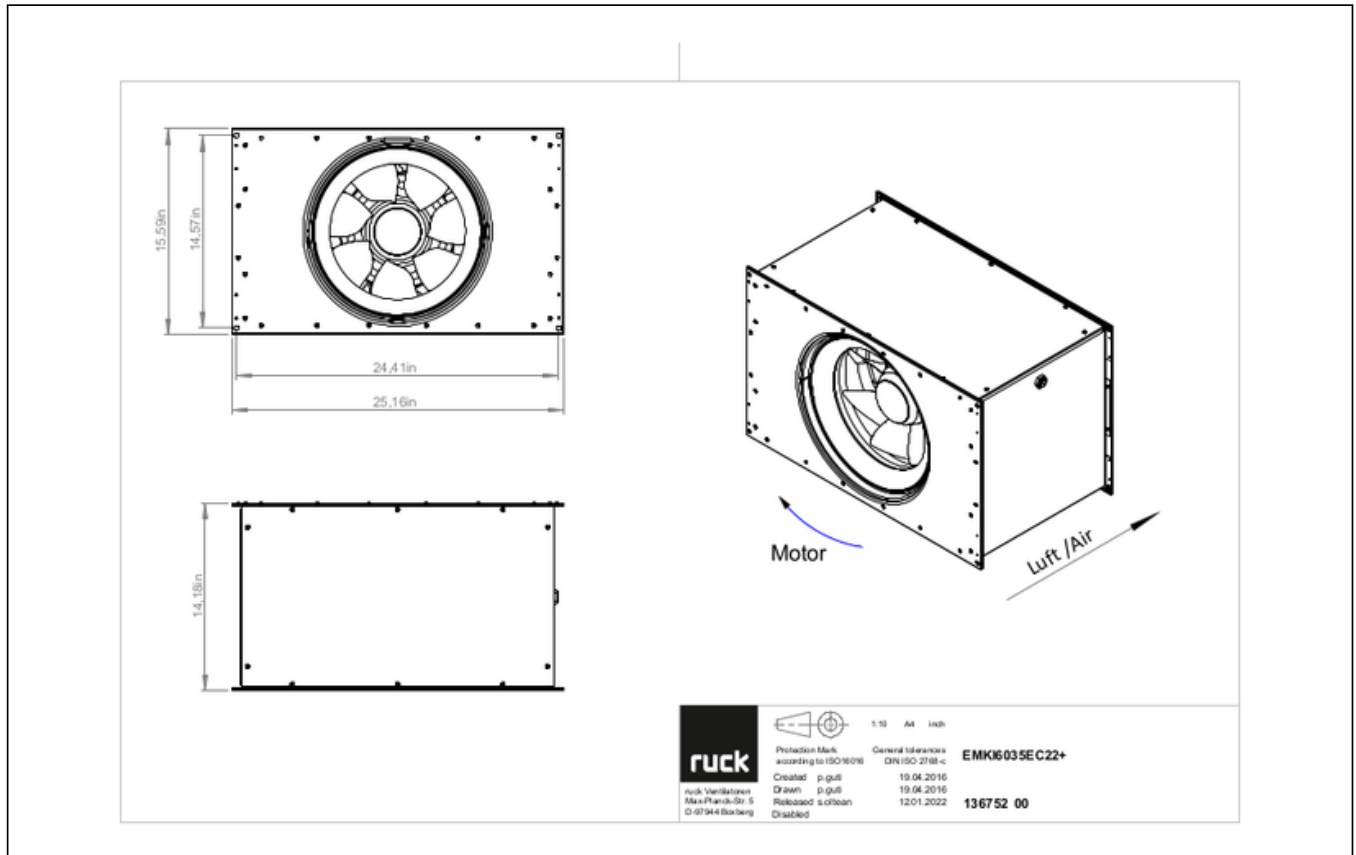
136752



zur Produktseite

# EMKI 6035 EC 22

136752



## MECHANICAL ACCESSORIES

**VS 6035 | 102808**



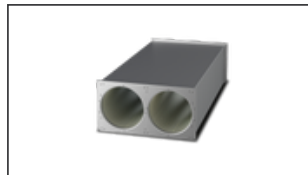
- Duct connector, flexible
- Standard profile flange P20
- Galvanized steel sheet, plastic band (PVC)
- Temperature resistant up to 70 °C

**VKK 6035 | 103892**



- Automatic shutter
- Plastic, weather resistant
- Temperature resistant up to 70 °C

**SDE 6035 L02 | 127751**



- Duct silencer
- Sendzimir galvanized sheet steel housing
- Sound absorption by mineral wool with fleece covering on air side
- 20 mm flange profiles





## ELECTRICAL ACCESSORIES

GS 01 | 102787



- Isolator switch
- $U_{max} = 400 \text{ V}$ , 50/60 Hz
- Switching capacity 400 V 3~ = 5,5 kW
- $I_{max} = 16 \text{ A}$

CON P1000 | 115259



- Constant pressure control
- Actual value display possible via optional control unit
- Output 0-10 V DC + FC enable + setpoint reached
- Pressure setting by means of decade switch

MTP 20 | 128146



- Potentiometer 10 k $\Omega$
- Switching contact 1A/250V AC - 2,5A/12V DC
- Max. ambient temperature 50 °C
- VDE

MTP 30 | 143289



- Stepped potentiometer 10 k $\Omega$
- Step 1 + 2 settable 10 % - 100 % Vdc
- Step 3 100 % Vdc
- Supply voltage +10 Vdc

MTP 40 | 147359



- Potentiometer 10 k $\Omega$
- Connection in terminal box
- Max. ambient temperature 50 °C
- PU: 20 pieces

MTP 50 | 153133



- Potentiometer with multifunction output
- 230 VAC  $\pm 10 \%$  / 50-60 Hz
- Selectable output: 1-10 VDC / 2-20 mA / 10-100 % PWM
- Min. and max. output value adjustable



zur Produktseite