

ELKI 7040 E2 10

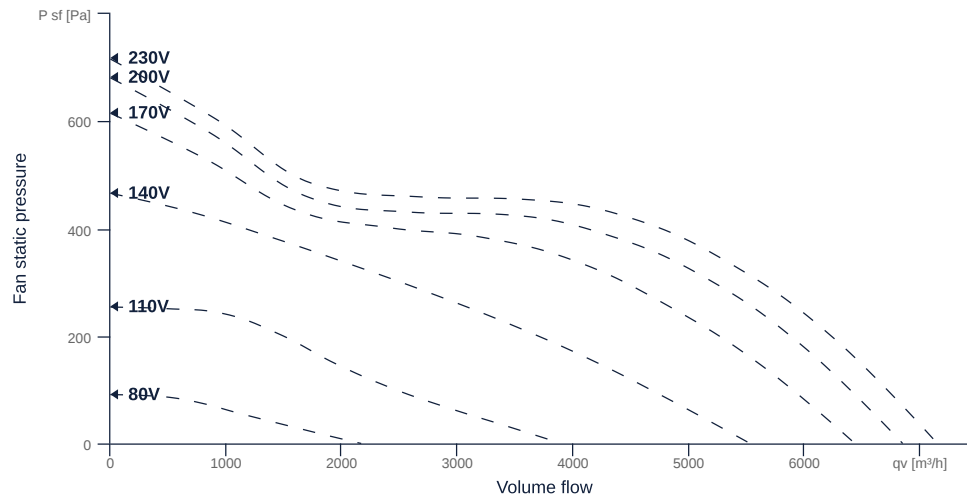
127730

- Energy efficient diagonal fan
- Optimally tuned and CFD-optimized aerodynamics
- Soundproof housing made of galvanized sheet steel
- Removable fan unit
- Robust single phase AC motor, voltage controllable
- Integrated thermal switch



MAP

| Name | Value | Unit |
|-------------|-------|-------------------|
| Volume flow | 0 | m ³ /h |
| Pressure | 0 | Pa |



zur Produktseite

ELKI 7040 E2 10

127730

ruck

GENERAL DATA

| Name | Value | Unit | Formula symbol |
|--|------------------|-------------------|-------------------------|
| ERP conformity | Yes | | |
| Certifications | CE, UKCA | | |
| Duct size | 700x400 | | WxH _{duct} |
| Pipe connection size (DN) | - | | DN |
| Rated voltage (entire device) | 230 | V | U _{rated} |
| Phases (entire device) | 1~ | | phase |
| Electrical protection (entire device) | 10 A | | fuse |
| Housing material | Galvanized steel | | mat _{casing} |
| Impeller material | Plastic | | mat _{impeller} |
| IP-protection class (entire device) | IPX4 | | IP _{compl} |
| IP-Protection class (terminal box) | IP44 | | IP _{ebox} |
| Weight | 42.58 | kg | m |
| Nominal air flow rate, nominal point m ³ /h | 5551.2 | m ³ /h | q _{v,nom} |
| Nominal external pressure, static | 309 | Pa | p _{s,nom} |
| Fan type | Diagonal | | Fan _{type} |
| Category / Installation situation | A | | cat |

ERP DATA (LOT 6)

| Name | Value | Unit | Formula symbol |
|--|---------------------------|-------------------|---------------------------------|
| Nominal air flow rate, nominal point m ³ /s | 1.54 | m ³ /s | q _{v,nom} |
| Actual electrical input power, nominal point | 1.04 | kW | Pe <sub,nom< sub=""></sub,nom<> |
| Face velocity, nominal point | 5.51 | m/s | v _{nom} |
| Nominal external pressure, static | 309 | Pa | p _{s,nom} |
| supply air fan static efficiency, nominal point | 48.1 | % | η _{es,SUP} |
| Enclosure sound level, nominal point | 66 | dB(A) | L _{WA2} |
| Rating | Product is compliant 2018 | | |



ELKI 7040 E2 10

127730

ruck

MAXIMAL DATA

| Name | Value | Unit | Formula symbol |
|---------------------------------|-------|-------------------|----------------|
| Max. power consumption (device) | 1043 | W | $P_{ed, max}$ |
| Max. operating current (device) | 6.55 | A | $I_{ed, max}$ |
| Max. speed | 2870 | 1/min | n_{max} |
| Max. stat. efficiency | 48.1 | % | η_{es} |
| Max. fan efficiency | 49.5 | % | η_e |
| Max. flowrate | 7150 | m ³ /h | q_v, max |
| Max. stat pressure | 720 | Pa | $p_{sf, max}$ |
| Max. medium temperature | 70 | °C | T_m, max |
| Max. environment temperature | 70 | °C | $T_{amb, max}$ |
| Min. environment temperature | -25 | °C | $T_{amb, min}$ |
| Min. voltage | 80 | V | U_{min} |

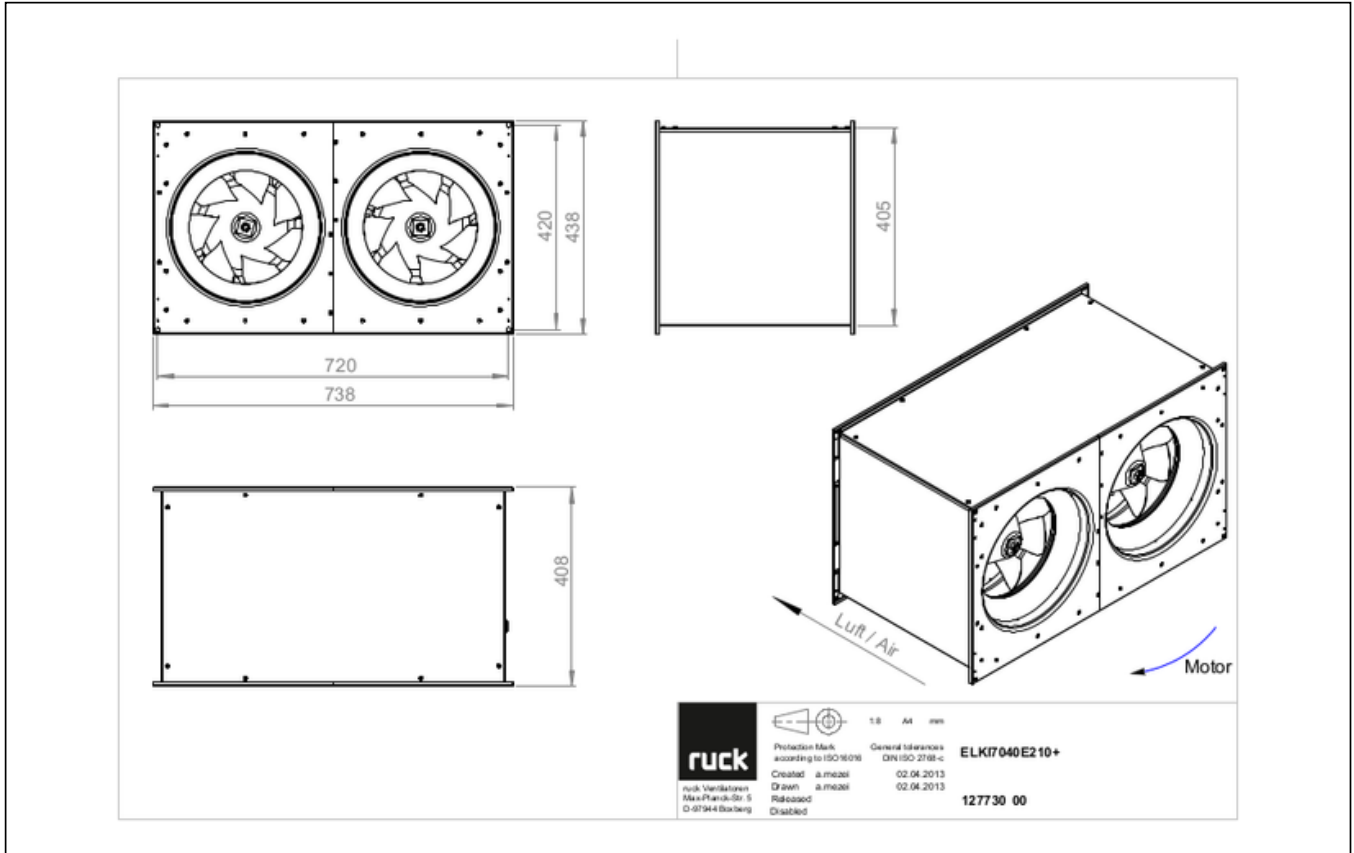


zur Produktseite

ELKI 7040 E2 10

127730

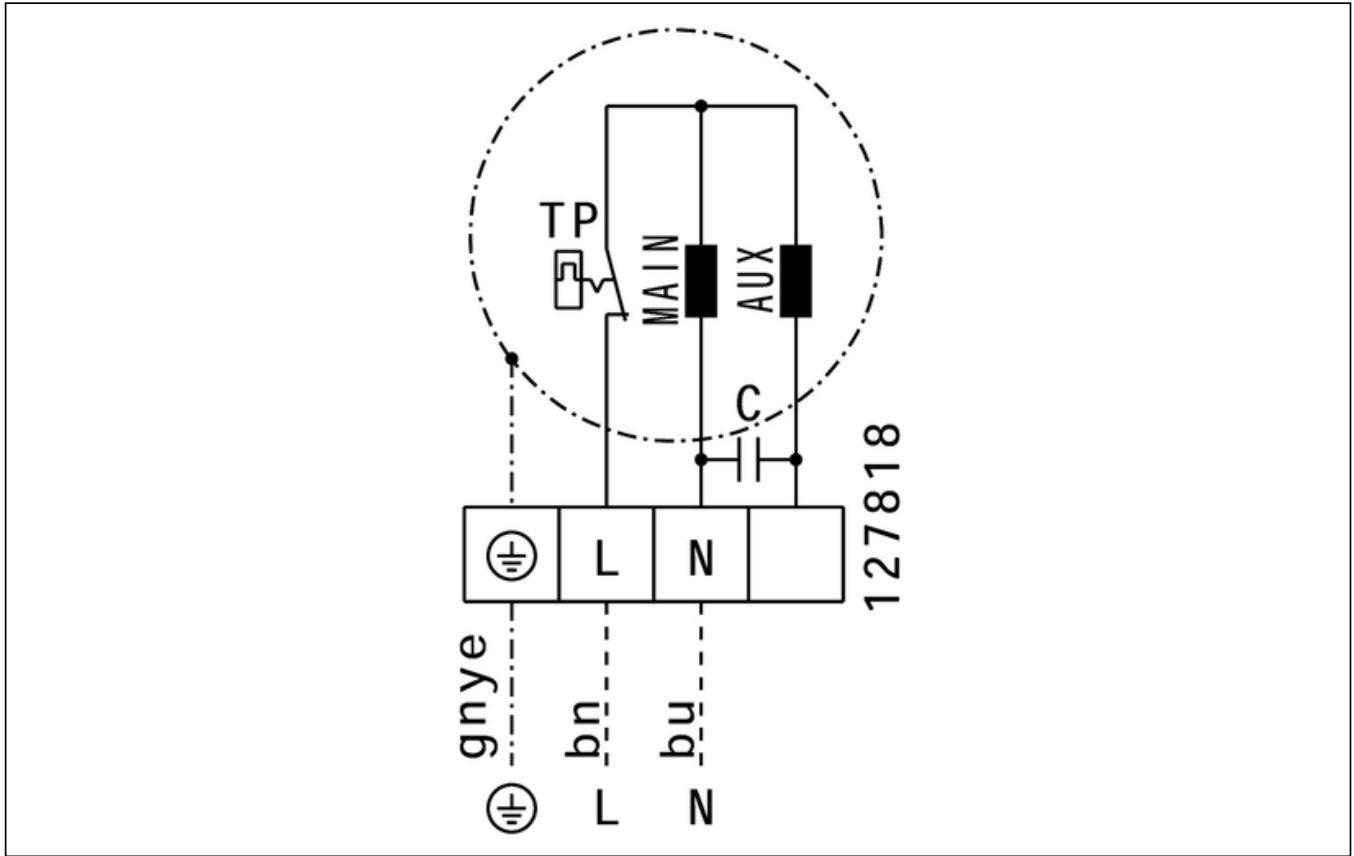
SCHALTPLÄNE / MASSZEICHNUNGEN



zur Produktseite

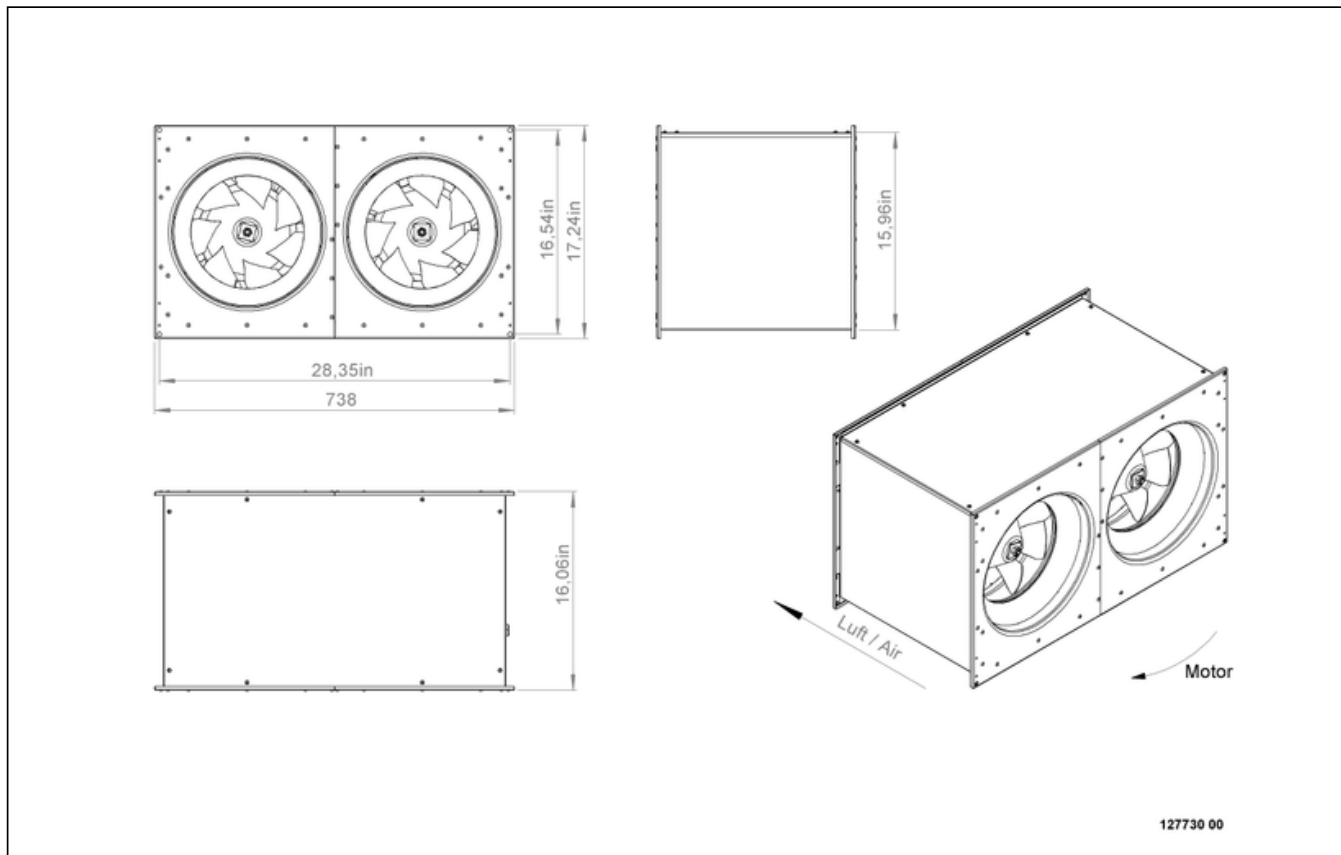
ELKI 7040 E2 10

127730



ELKI 7040 E2 10

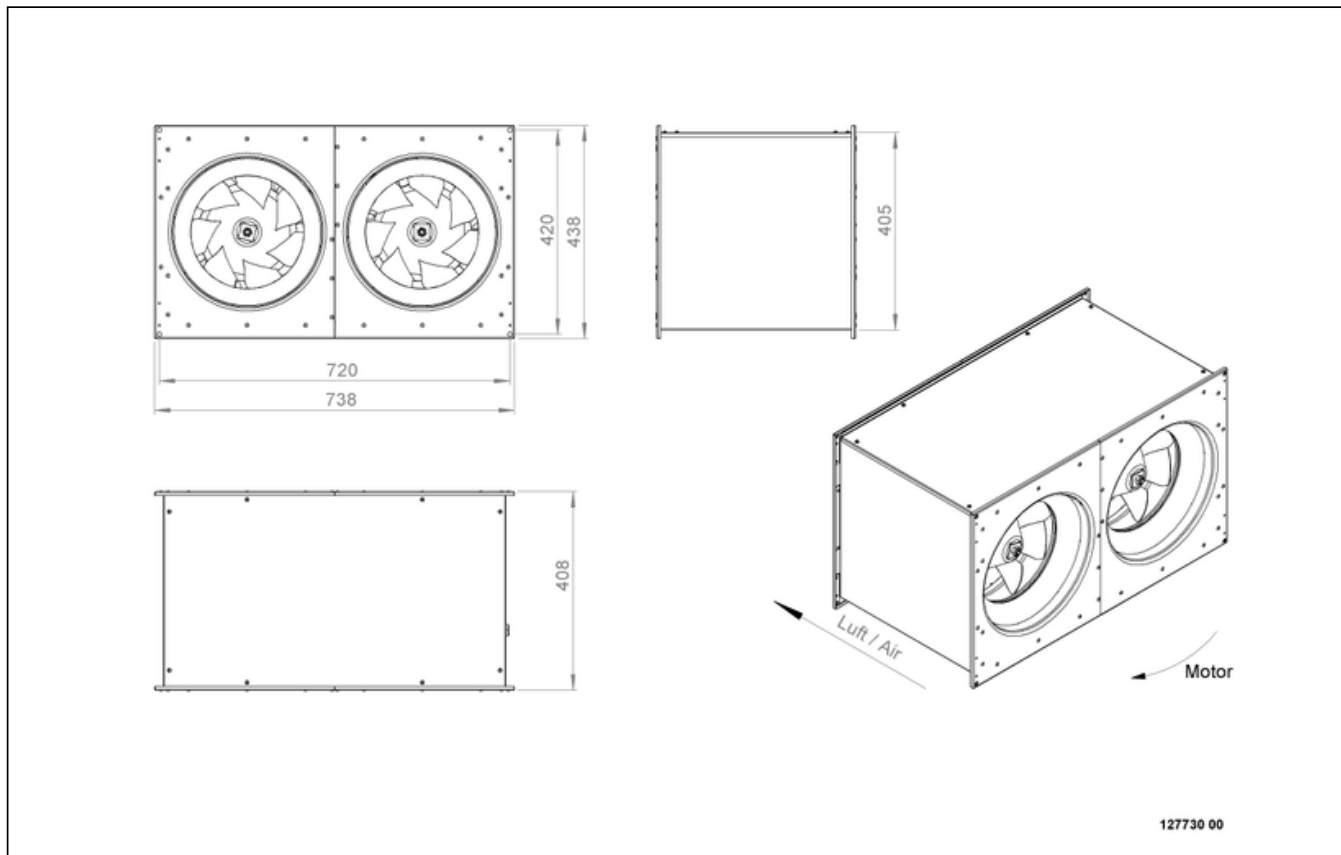
127730



zur Produktseite

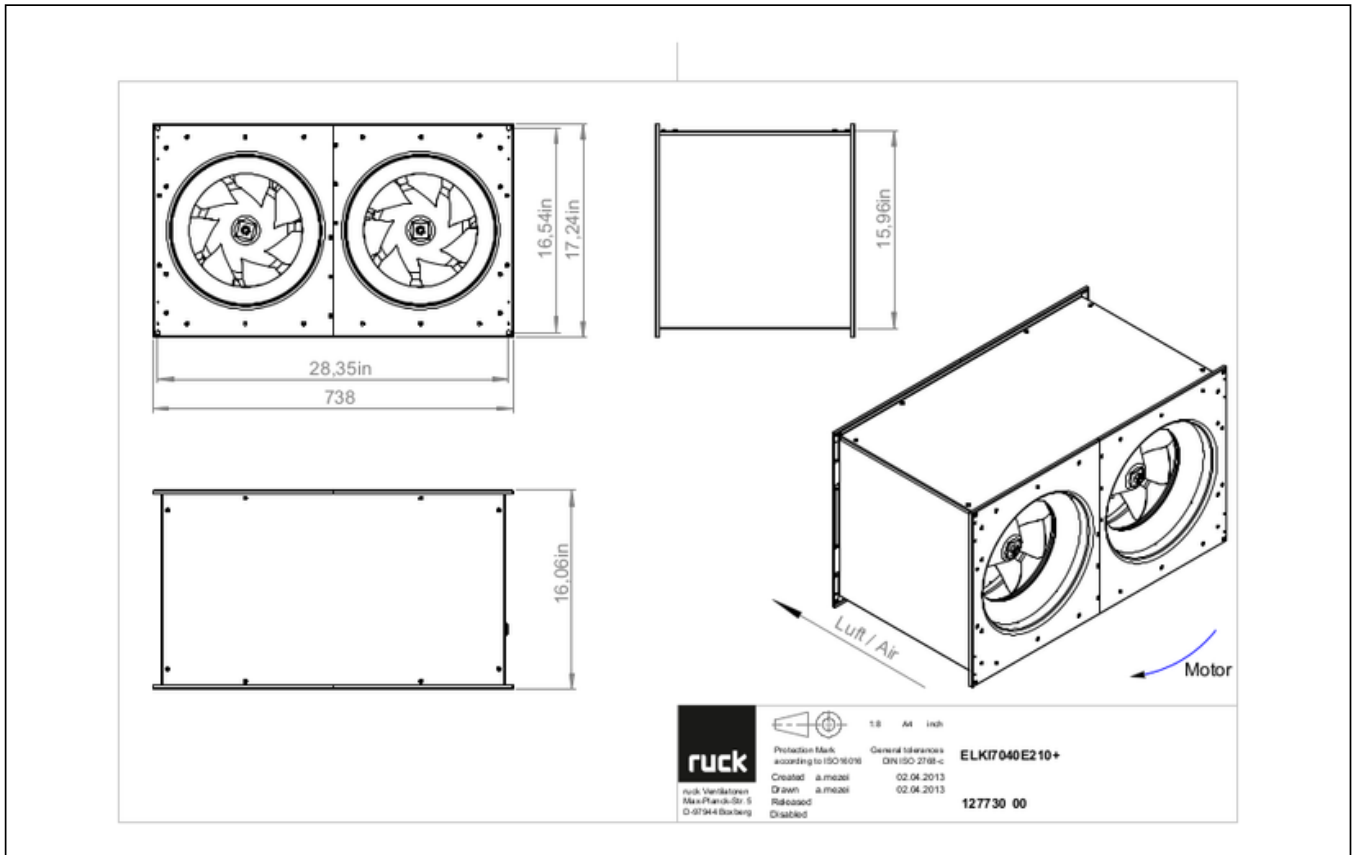
ELKI 7040 E2 10

127730



ELKI 7040 E2 10

127730



MECHANICAL ACCESSORIES

VKK 7040 | 103944



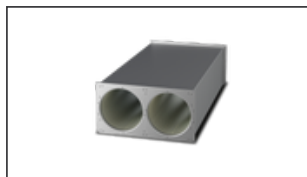
- Automatic shutter
- Plastic, weather resistant
- Temperature resistant up to 70 °C

VS 7040 | 103951



- Duct connector, flexible
- Standard profile flange P20
- Galvanized steel sheet, plastic band (PVC)
- Temperature resistant up to 70 °C

SDE 7040 L02 | 127753



- Duct silencer
- Sendzimir galvanized sheet steel housing
- Sound absorption by mineral wool with fleece covering on air side
- 20 mm flange profiles



ELKI 7040 E2 10

127730

ELECTRICAL ACCESSORIES

GS 01 | 102787



- Isolator switch
- Umax = 400 V, 50/60 Hz
- Switching capacity 400 V 3~ = 5,5 kW
- I_{max} = 16 A

TEM 075 | 103507



- 5-step transformer
- 230 V, 50/60 Hz, 7.5 A
- Output voltage: 230-190-170-140-110-80-0 V
- Protection class IP 54
- With motor protection

TES 075 02 | 146197



- 5-step transformer
- 230 V, 50/60 Hz, 7.5 A
- Without housing, control cabinet installation
- Protection class IP 20



zur Produktseite