

ELKI 6035 E2 12

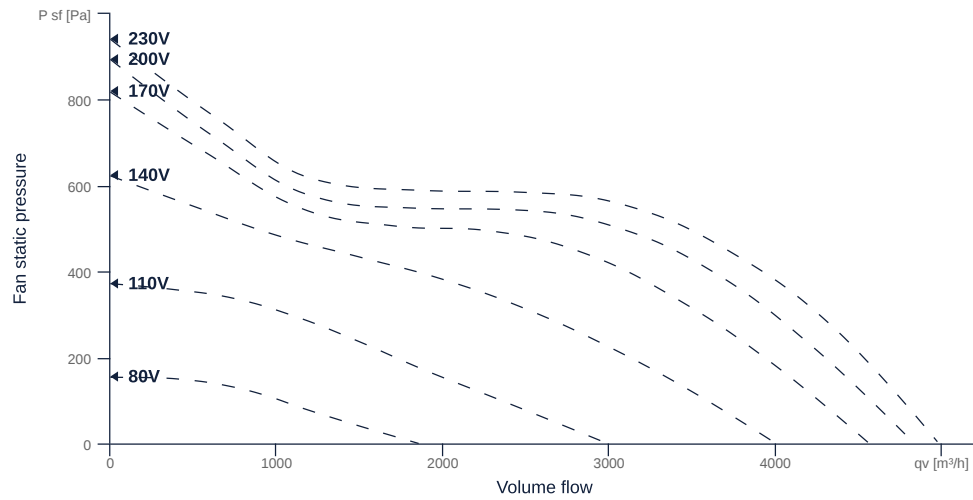
127732

- Energy efficient diagonal fan
- Optimally tuned and CFD-optimized aerodynamics
- Soundproof housing made of galvanized sheet steel
- Removable fan unit
- Robust single phase AC motor, voltage controllable
- Integrated thermal switch



MAP

Name	Value	Unit
Volume flow	0	m³/h
Pressure	0	Pa



zur Produktseite

ELKI 6035 E2 12

127732

ruck

GENERAL DATA

Name	Value	Unit	Formula symbol
ERP conformity	Yes		
Certifications	CE, UKCA		
Duct size	600x350		WxH _{duct}
Pipe connection size (DN)	-		DN
Rated voltage (entire device)	230	V	U _{rated}
Phases (entire device)	1~		phase
Electrical protection (entire device)	6 A		fuse
Housing material	Galvanized steel		mat _{casing}
Impeller material	Plastic		mat _{impeller}
IP-protection class (entire device)	IPX4		IP _{compl}
IP-Protection class (terminal box)	IP44		IP _{ebox}
Weight	27.77	kg	m
Nominal air flow rate, nominal point m ³ /h	3992.4	m ³ /h	q _{v,nom}
Nominal external pressure, static	379	Pa	p _{s,nom}
Fan type	Diagonal		Fan _{type}
Category / Installation situation	A		cat

ERP DATA (LOT 6)

Name	Value	Unit	Formula symbol
Nominal air flow rate, nominal point m ³ /s	1.11	m ³ /s	q _{v,nom}
Actual electrical input power, nominal point	0.93	kW	Pe <sub,nom< sub=""></sub,nom<>
Face velocity, nominal point	5.28	m/s	v _{nom}
Nominal external pressure, static	379	Pa	p _{s,nom}
supply air fan static efficiency, nominal point	49.2	%	η _{es,SUP}
Enclosure sound level, nominal point	68	dB(A)	L _{WA2}
Rating	Product is compliant 2018		



zur Produktseite

ELKI 6035 E2 12

127732

ruck

MAXIMAL DATA

Name	Value	Unit	Formula symbol
Max. power consumption (device)	937	W	$P_{ed, max}$
Max. operating current (device)	5.21	A	$I_{ed, max}$
Max. speed	2860	1/min	n_{max}
Max. stat. efficiency	49.2	%	η_{es}
Max. fan efficiency	50.1	%	η_e
Max. flowrate	4970	m ³ /h	q_v, max
Max. stat pressure	940	Pa	$p_{sf, max}$
Max. medium temperature	45	°C	T_m, max
Max. environment temperature	45	°C	$T_{amb, max}$
Min. environment temperature	-25	°C	$T_{amb, min}$
Min. voltage	80	V	U_{min}

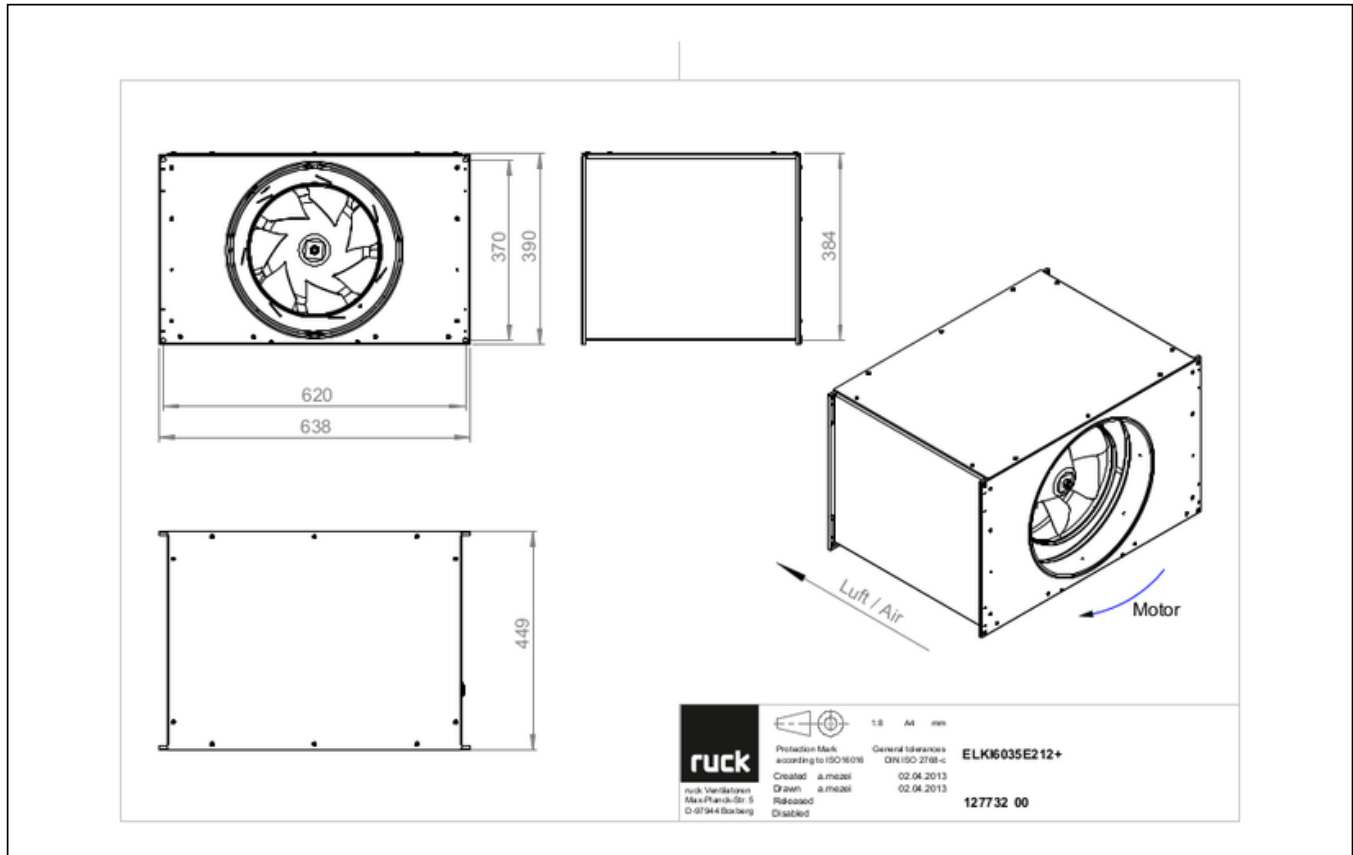


zur Produktseite

ELKI 6035 E2 12

127732

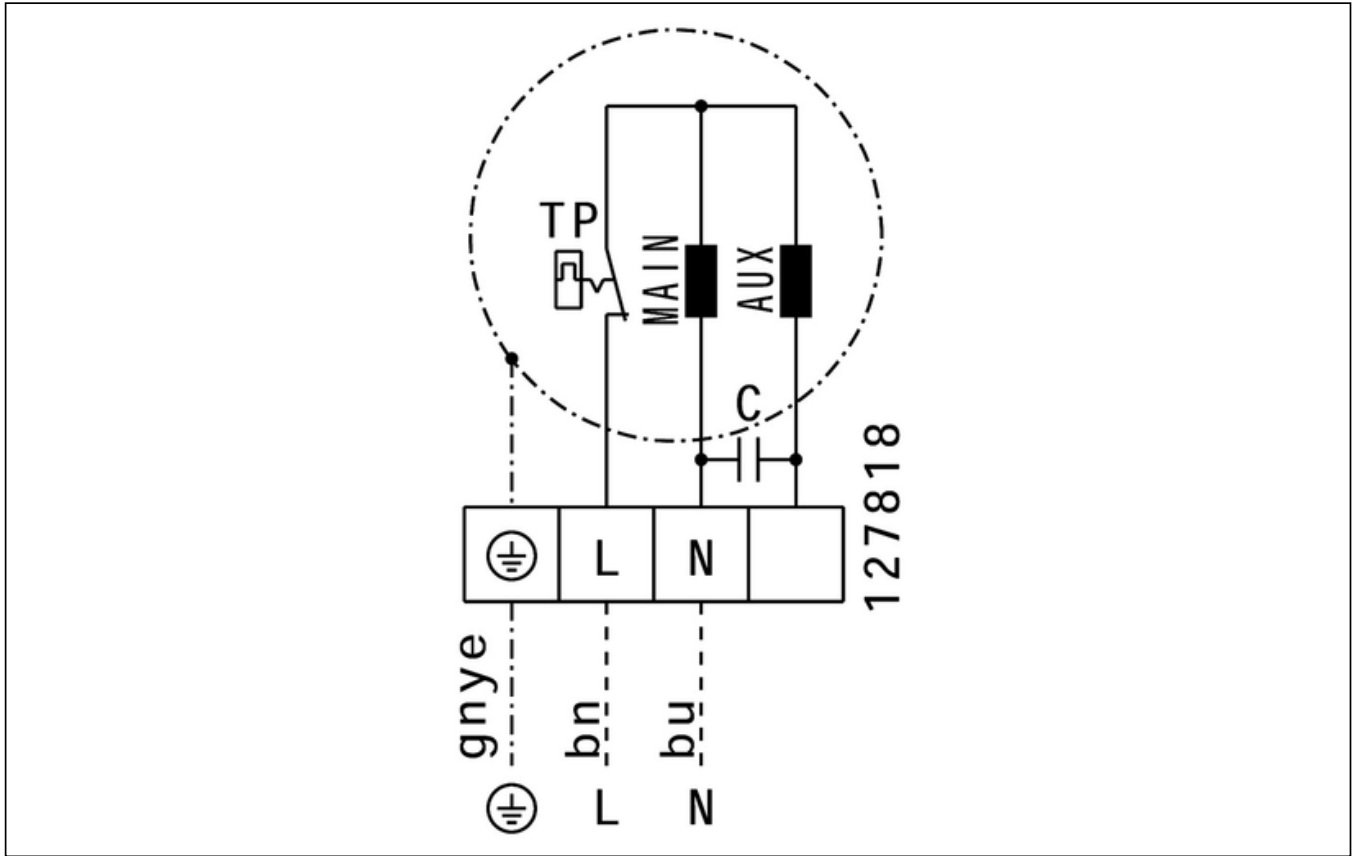
SCHALTPLÄNE / MASSZEICHNUNGEN



zur Produktseite

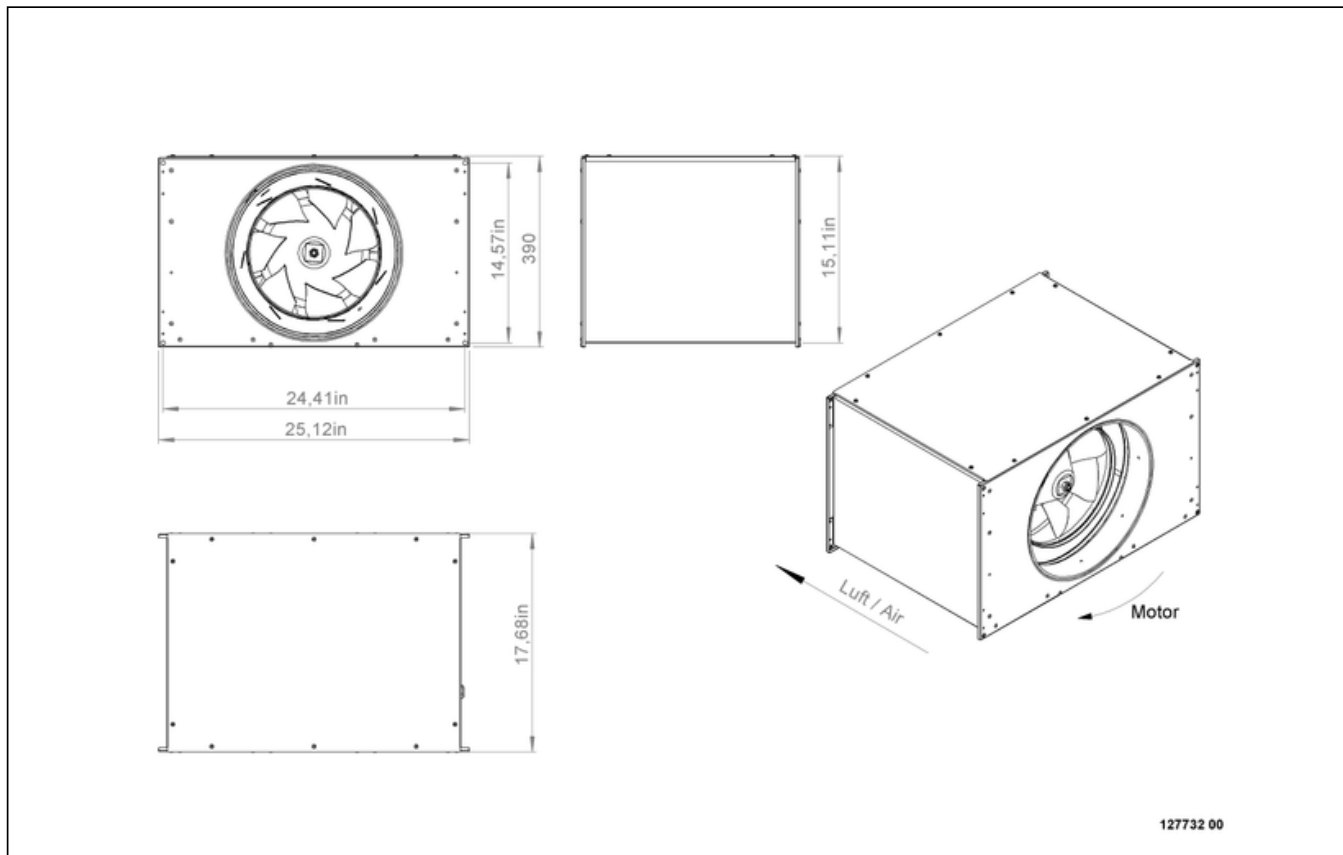
ELKI 6035 E2 12

127732



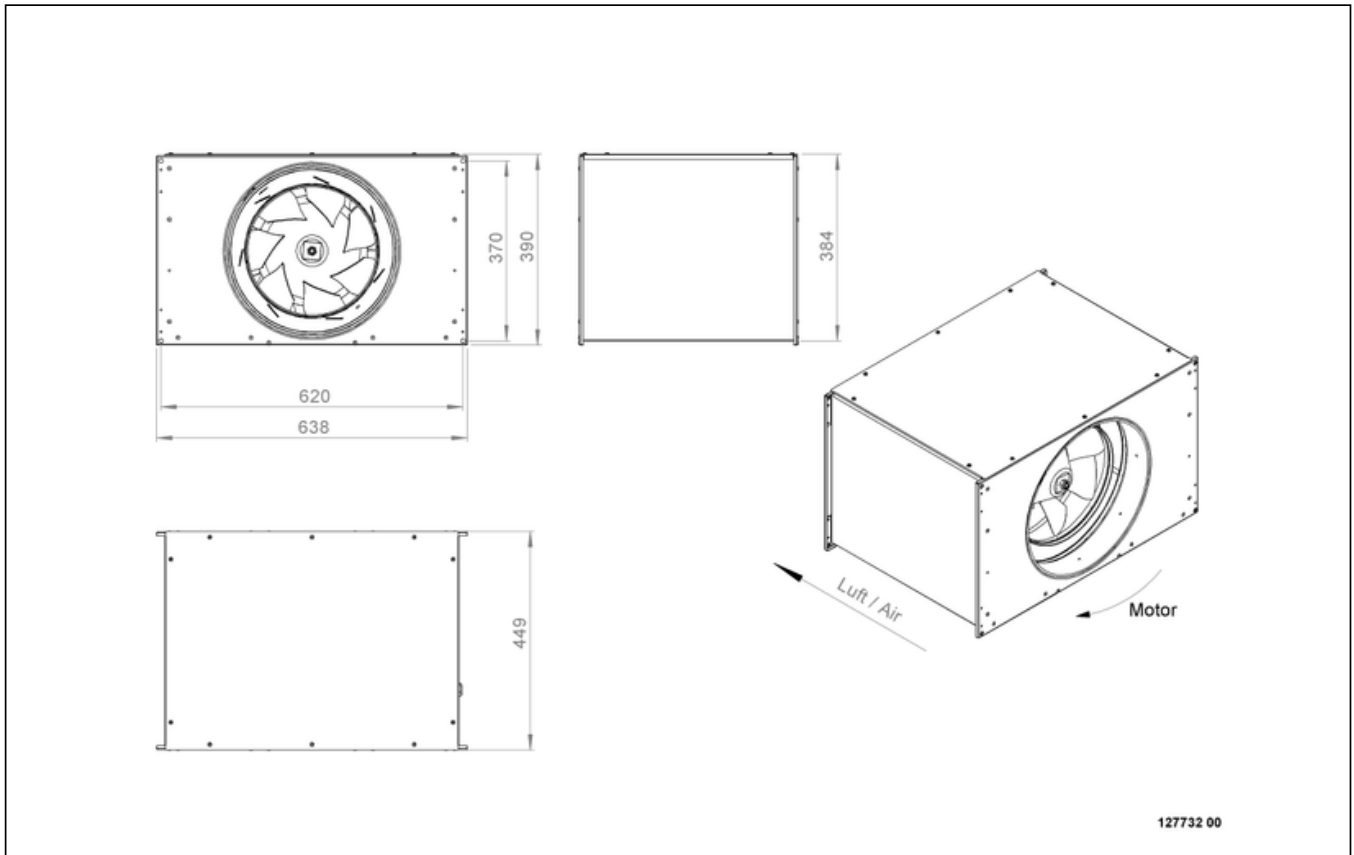
ELKI 6035 E2 12

127732



ELKI 6035 E2 12

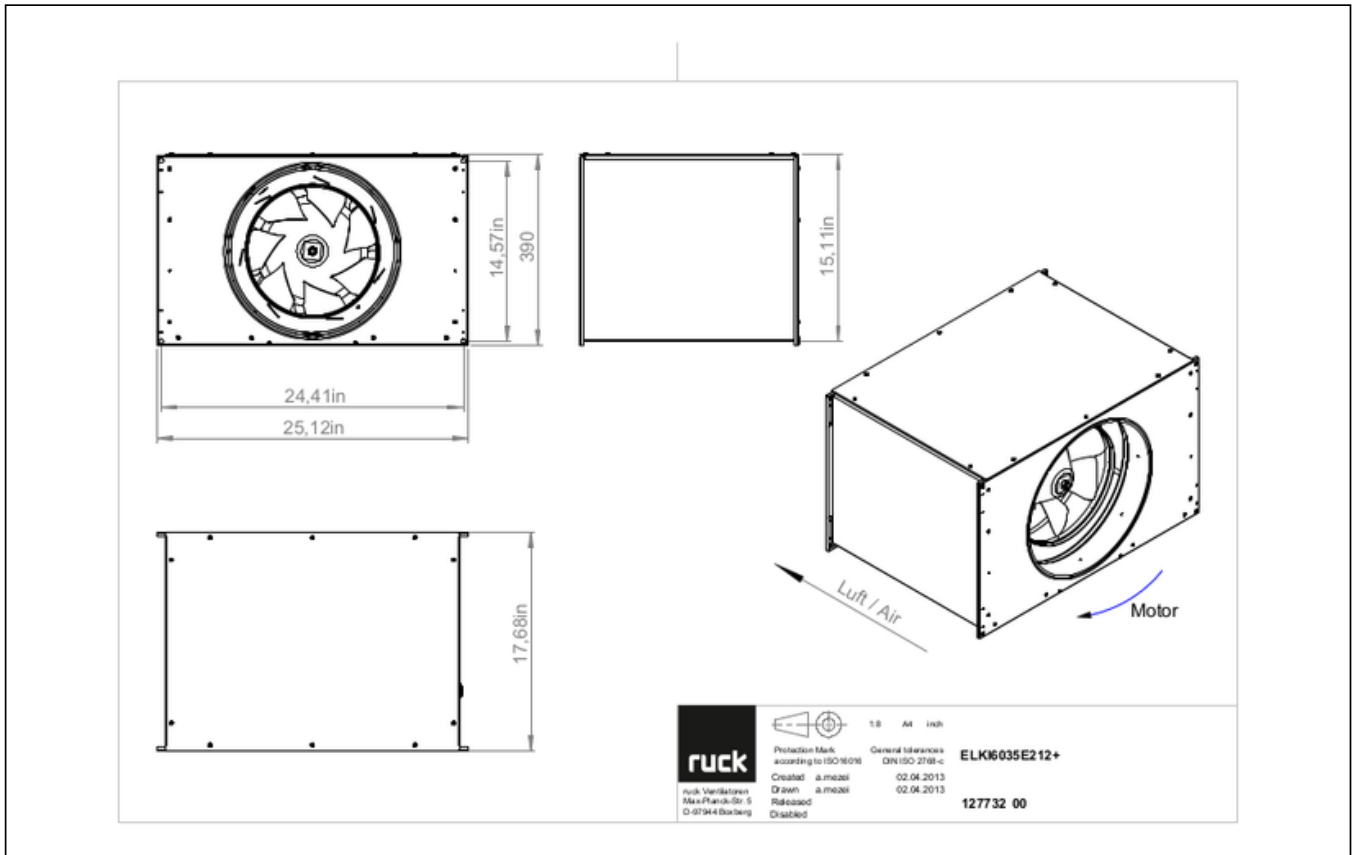
127732



zur Produktseite

ELKI 6035 E2 12

127732



MECHANICAL ACCESSORIES

VS 6035 | 102808



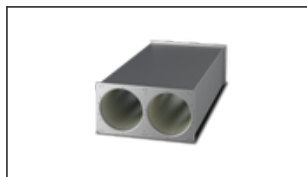
- Duct connector, flexible
- Standard profile flange P20
- Galvanized steel sheet, plastic band (PVC)
- Temperature resistant up to 70 °C

VKK 6035 | 103892



- Automatic shutter
- Plastic, weather resistant
- Temperature resistant up to 70 °C

SDE 6035 L02 | 127751



- Duct silencer
- Sendzimir galvanized sheet steel housing
- Sound absorption by mineral wool with fleece covering on air side
- 20 mm flange profiles



ELKI 6035 E2 12

127732

ELECTRICAL ACCESSORIES

GS 01 | 102787



- Isolator switch
- U_{max} = 400 V, 50/60 Hz
- Switching capacity 400 V 3~ = 5,5 kW
- I_{max} = 16 A

TEM 075 | 103507



- 5-step transformer
- 230 V, 50/60 Hz, 7.5 A
- Output voltage: 230-190-170-140-110-80-0 V
- Protection class IP 54
- With motor protection

TEM 075V | 136272



- 5-step transformer
- 230 V ~, 50/60 Hz

TES 075 02 | 146197



- 5-step transformer
- 230 V, 50/60 Hz, 7.5 A
- Without housing, control cabinet installation
- Protection class IP 20



zur Produktseite