

# ELKI 6035 E2 10

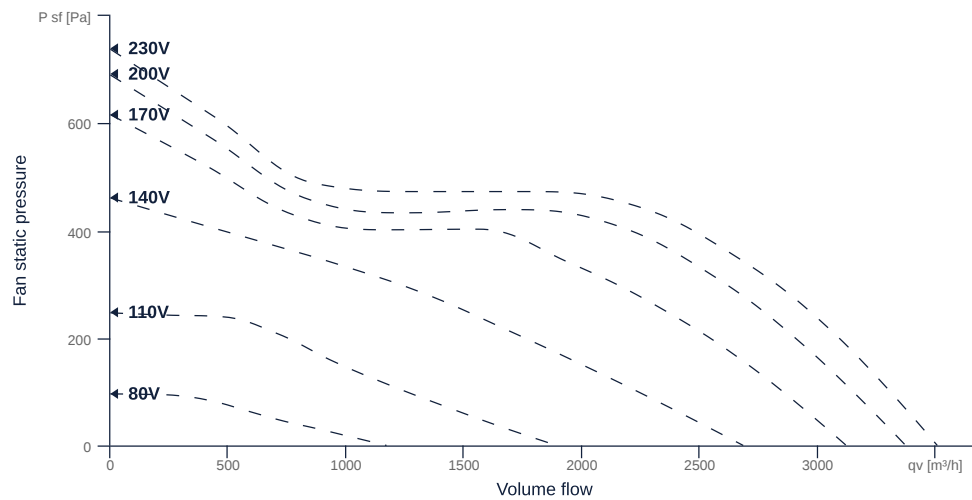
127736

- Energy efficient diagonal fan
- Optimally tuned and CFD-optimized aerodynamics
- Soundproof housing made of galvanized sheet steel
- Removable fan unit
- Robust single phase AC motor, voltage controllable
- Integrated thermal switch



## MAP

Name	Value	Unit
Volume flow	0	m <sup>3</sup> /h
Pressure	0	Pa



zur Produktseite

# ELKI 6035 E2 10

127736

**ruck**

## GENERAL DATA

Name	Value	Unit	Formula symbol
ERP conformity	Yes		
Certifications	CE, UKCA		
Duct size	600x350		WxH <sub>duct</sub>
Pipe connection size (DN)	-		DN
Rated voltage (entire device)	230	V	U <sub>rated</sub>
Phases (entire device)	1~		phase
Electrical protection (entire device)	6 A		fuse
Housing material	Galvanized steel		mat <sub>casing</sub>
Impeller material	Plastic		mat <sub>impeller</sub>
IP-protection class (entire device)	IPX4		IP <sub>compl</sub>
IP-Protection class (terminal box)	IP44		IP <sub>ebox</sub>
Weight	25.5	kg	m
Nominal air flow rate, nominal point m <sup>3</sup> /h	2869.2	m <sup>3</sup> /h	q <sub>v,nom</sub>
Nominal external pressure, static	282	Pa	p <sub>s,nom</sub>
Fan type	Diagonal		Fan <sub>type</sub>
Category / Installation situation	A		cat

## ERP DATA (LOT 6)

Name	Value	Unit	Formula symbol
Nominal air flow rate, nominal point m <sup>3</sup> /s	0.8	m <sup>3</sup> /s	q <sub>v,nom</sub>
Actual electrical input power, nominal point	0.55	kW	Pe <sub,nom< sub=""></sub,nom<>
Face velocity, nominal point	3.8	m/s	v <sub>nom</sub>
Nominal external pressure, static	282	Pa	p <sub>s,nom</sub>
supply air fan static efficiency, nominal point	47.5	%	η <sub>es,SUP</sub>
Enclosure sound level, nominal point	64	dB(A)	L <sub>WA2</sub>
Rating	Product is compliant 2018		



zur Produktseite

# ELKI 6035 E2 10

127736

**ruck**

## MAXIMAL DATA

Name	Value	Unit	Formula symbol
Max. power consumption (device)	547	W	$P_{ed, max}$
Max. operating current (device)	3.17	A	$I_{ed, max}$
Max. speed	2850	1/min	$n_{max}$
Max. stat. efficiency	47.8	%	$\eta_{es}$
Max. fan efficiency	48.3	%	$\eta_e$
Max. flowrate	3510	m <sup>3</sup> /h	$q_v, max$
Max. stat pressure	740	Pa	$p_{sf, max}$
Max. medium temperature	70	°C	$T_m, max$
Max. environment temperature	70	°C	$T_{amb, max}$
Min. environment temperature	-25	°C	$T_{amb, min}$
Min. voltage	80	V	$U_{min}$

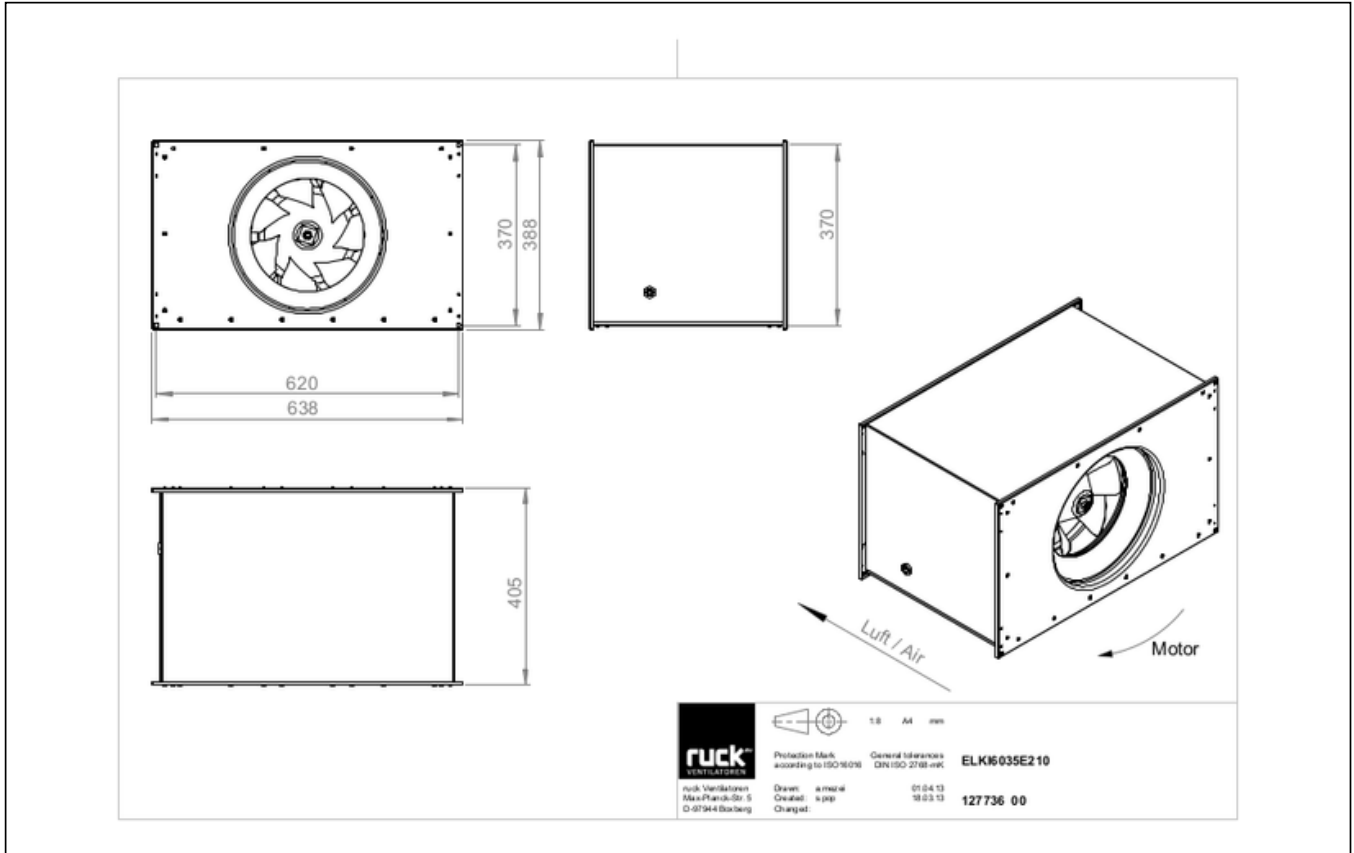


zur Produktseite

# ELKI 6035 E2 10

127736

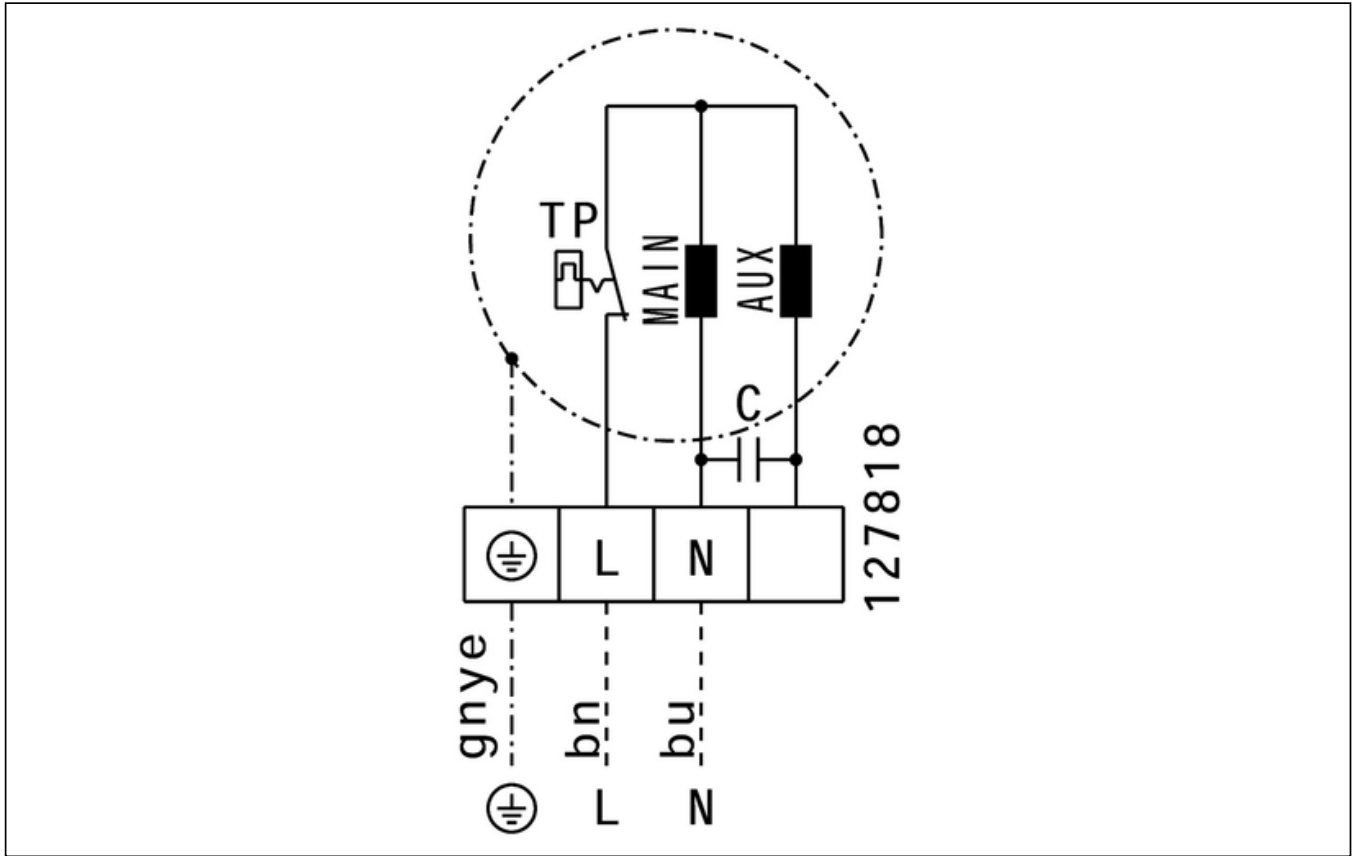
## SCHALTPLÄNE / MASSZEICHNUNGEN



zur Produktseite

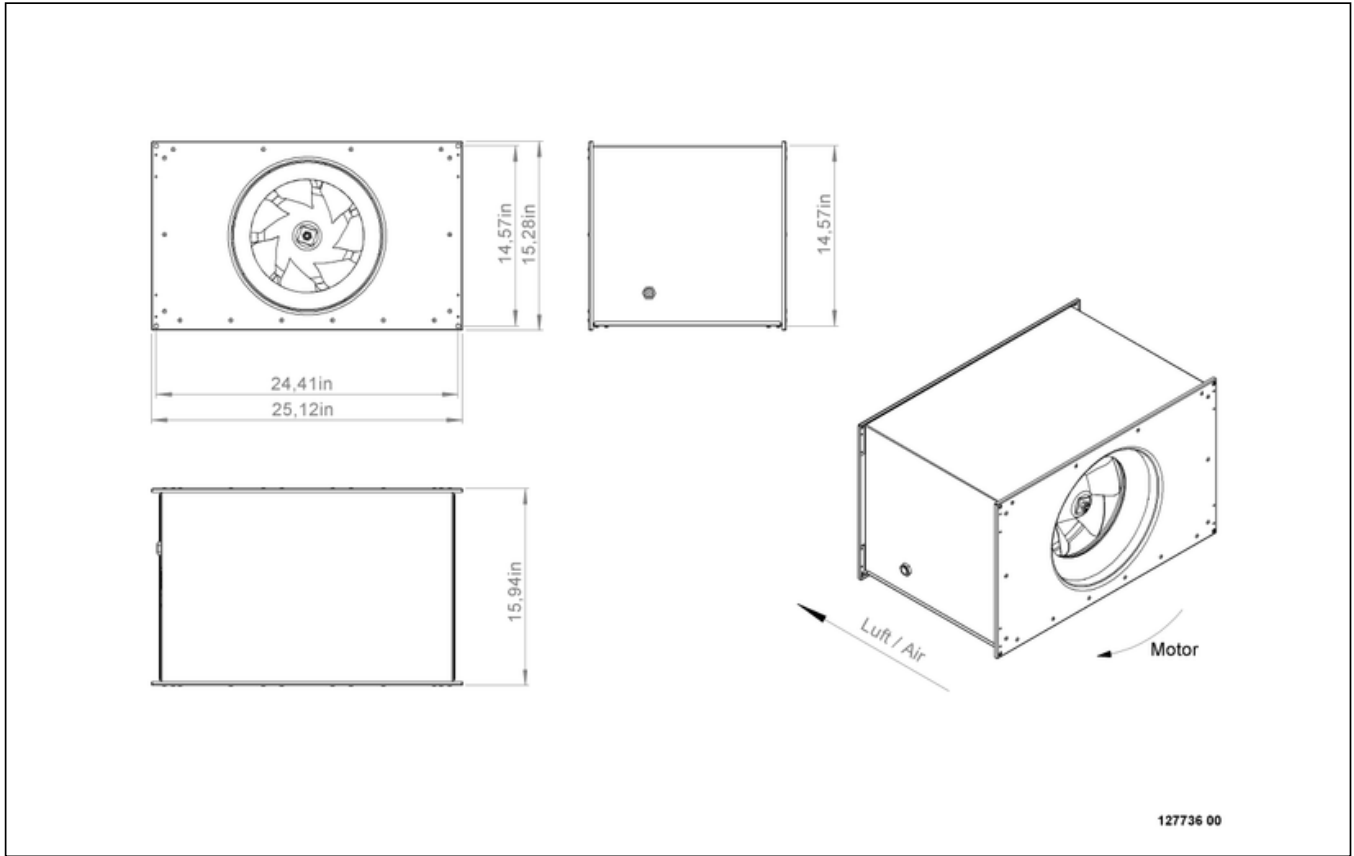
# ELKI 6035 E2 10

127736



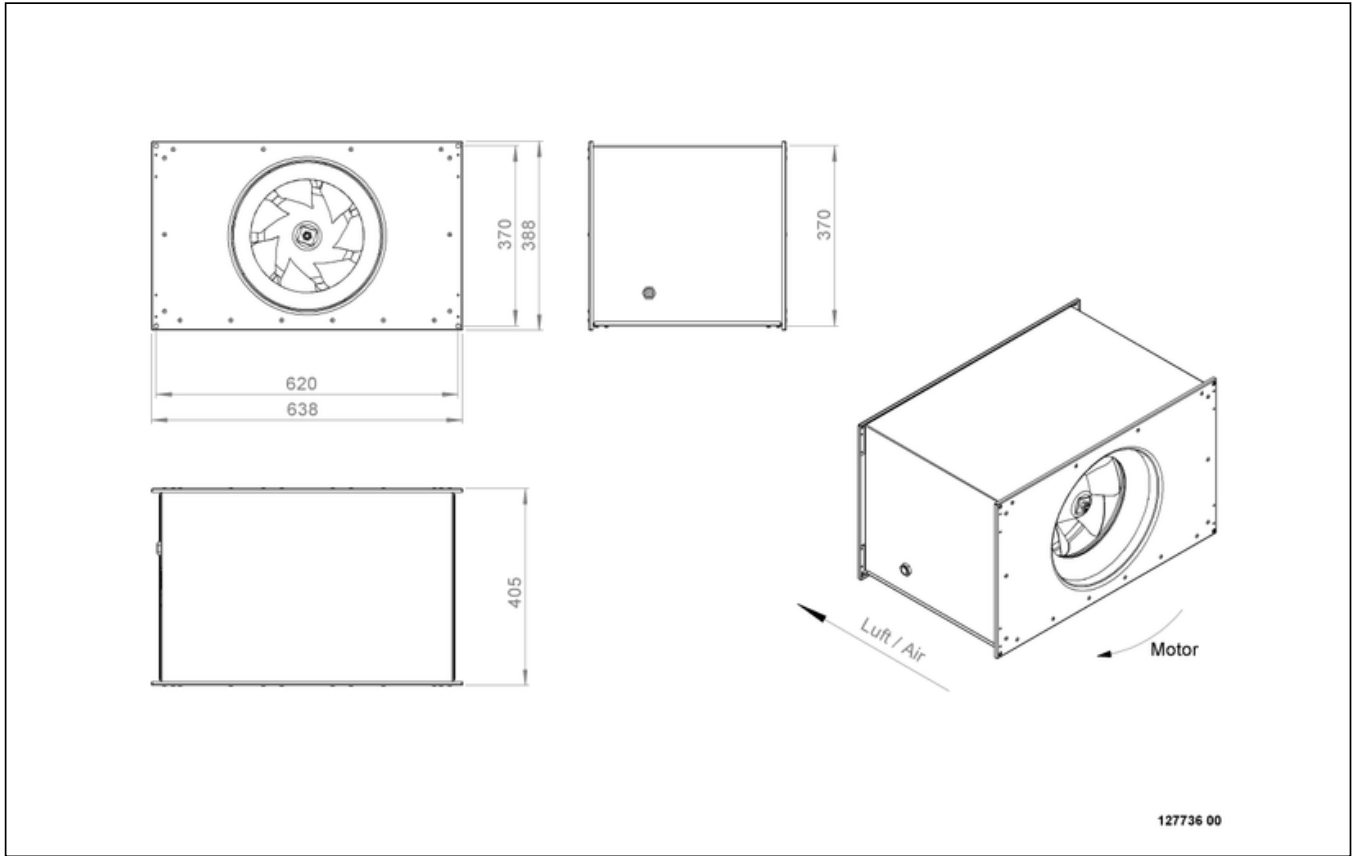
# ELKI 6035 E2 10

127736



# ELKI 6035 E2 10

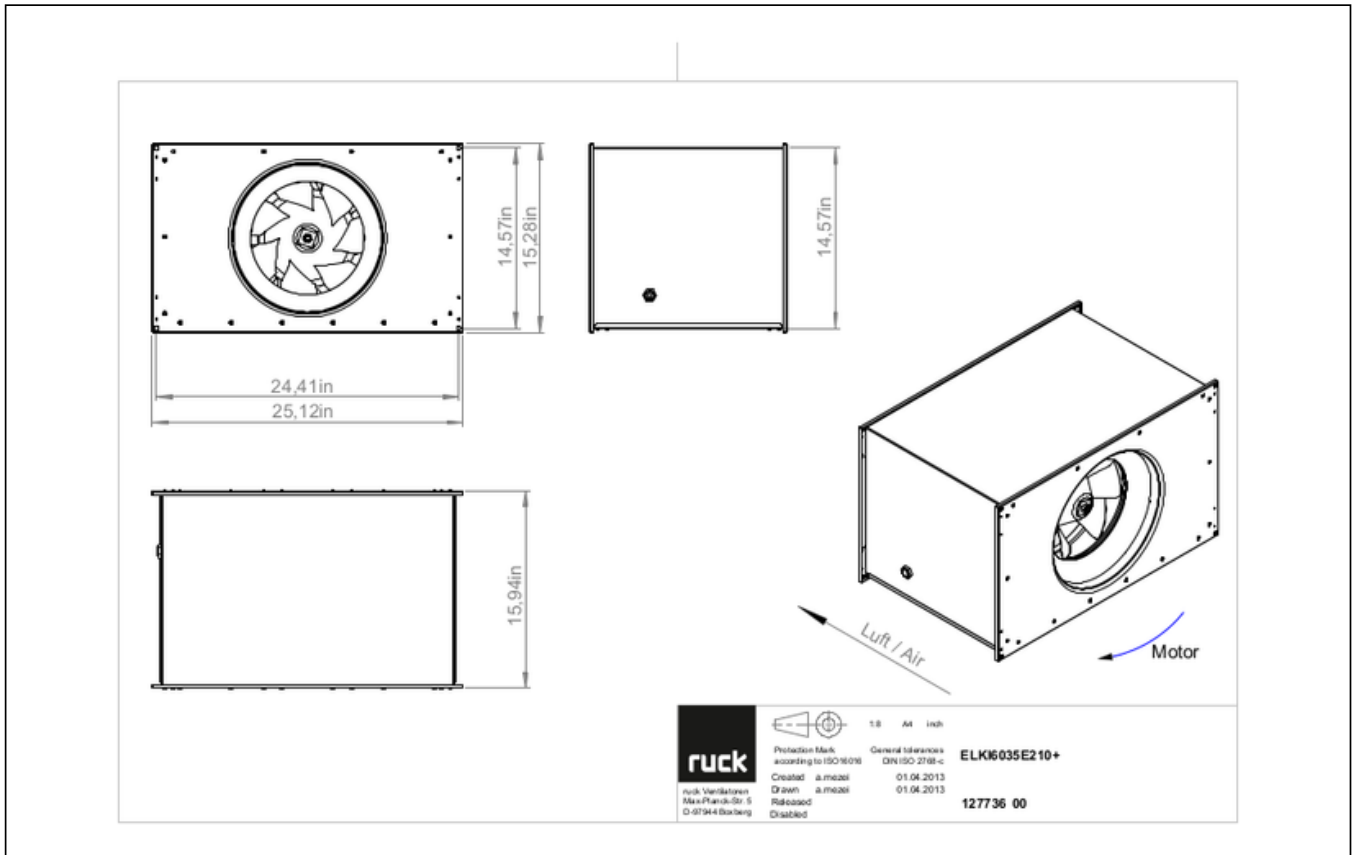
127736



zur Produktseite

# ELKI 6035 E2 10

127736



## MECHANICAL ACCESSORIES

### VS 6035 | 102808



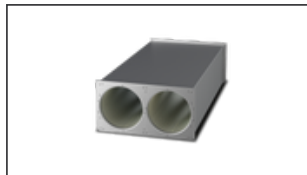
- Duct connector, flexible
- Standard profile flange P20
- Galvanized steel sheet, plastic band (PVC)
- Temperature resistant up to 70 °C

### VKK 6035 | 103892



- Automatic shutter
- Plastic, weather resistant
- Temperature resistant up to 70 °C

### SDE 6035 L02 | 127751



- Duct silencer
- Sendzimir galvanized sheet steel housing
- Sound absorption by mineral wool with fleece covering on air side
- 20 mm flange profiles





# ELKI 6035 E2 10

127736

---

## ELECTRICAL ACCESSORIES

GS 01 | 102787



- Isolator switch
- $U_{max} = 400 \text{ V}$ , 50/60 Hz
- Switching capacity 400 V 3~ = 5,5 kW
- $I_{max} = 16 \text{ A}$

TEM 035 | 103502



- 5-step transformer
- 230 V, 50/60 Hz, 3,5 A
- Output voltage: 230-190-170-140-110-80-0 V
- Protection class IP 54

TES 035 02 | 146195



- 5-step transformer
- 230 V, 50/60 Hz, 3,5 A
- Without housing, control cabinet installation
- Protection class IP 20



zur Produktseite