

ELKI 6030 E2 10

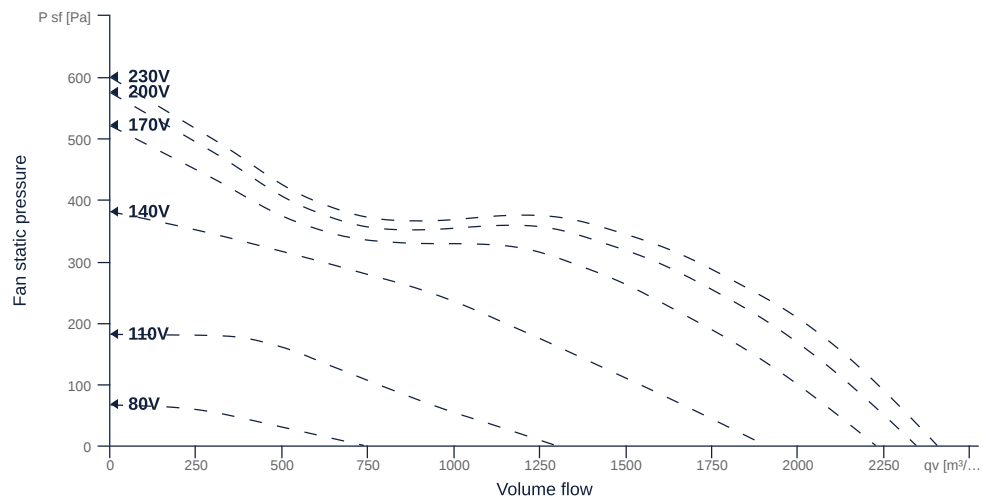
127738

- Energy efficient diagonal fan
- Optimally tuned and CFD-optimized aerodynamics
- Soundproof housing made of galvanized sheet steel
- Removable fan unit
- Robust single phase AC motor, voltage controllable
- Integrated thermal switch



MAP

Name	Value	Unit
Volume flow	0	m³/h
Pressure	0	Pa



zur Produktseite

ELKI 6030 E2 10

127738

ruck

GENERAL DATA

Name	Value	Unit	Formula symbol
ERP conformity	Yes		
Certifications	CE, UKCA		
Duct size	600x300		WxH _{duct}
Pipe connection size (DN)	-		DN
Rated voltage (entire device)	230	V	U _{rated}
Phases (entire device)	1~		phase
Electrical protection (entire device)	6 A		fuse
Housing material	Galvanized steel		mat _{casing}
Impeller material	Plastic		mat _{impeller}
IP-protection class (entire device)	IPX4		IP _{compl}
IP-Protection class (terminal box)	IP44		IP _{ebox}
Weight	17.93	kg	m
Nominal air flow rate, nominal point m ³ /h	2048.4	m ³ /h	q _{v,nom}
Nominal external pressure, static	186	Pa	p _{s,nom}
Fan type	Diagonal		Fan _{type}
Category / Installation situation	A		cat

ERP DATA (LOT 6)

Name	Value	Unit	Formula symbol
Nominal air flow rate, nominal point m ³ /s	0.57	m ³ /s	q _{v,nom}
Actual electrical input power, nominal point	0.28	kW	Pe <sub,nom< sub=""></sub,nom<>
Face velocity, nominal point	3.16	m/s	v _{nom}
Nominal external pressure, static	186	Pa	p _{s,nom}
supply air fan static efficiency, nominal point	49.6	%	η _{es,SUP}
Enclosure sound level, nominal point	62	dB(A)	L _{WA2}
Rating	Product is compliant 2018		



ELKI 6030 E2 10

127738

ruck

MAXIMAL DATA

Name	Value	Unit	Formula symbol
Max. power consumption (device)	282	W	$P_{ed, max}$
Max. operating current (device)	1.73	A	$I_{ed, max}$
Max. speed	2890	1/min	n_{max}
Max. stat. efficiency	49.2	%	η_{es}
Max. fan efficiency	49.6	%	η_e
Max. flowrate	2400	m ³ /h	q_v, max
Max. stat pressure	600	Pa	$p_{sf, max}$
Max. medium temperature	55	°C	T_m, max
Max. environment temperature	55	°C	$T_{amb, max}$
Min. environment temperature	-25	°C	$T_{amb, min}$
Min. voltage	80	V	U_{min}

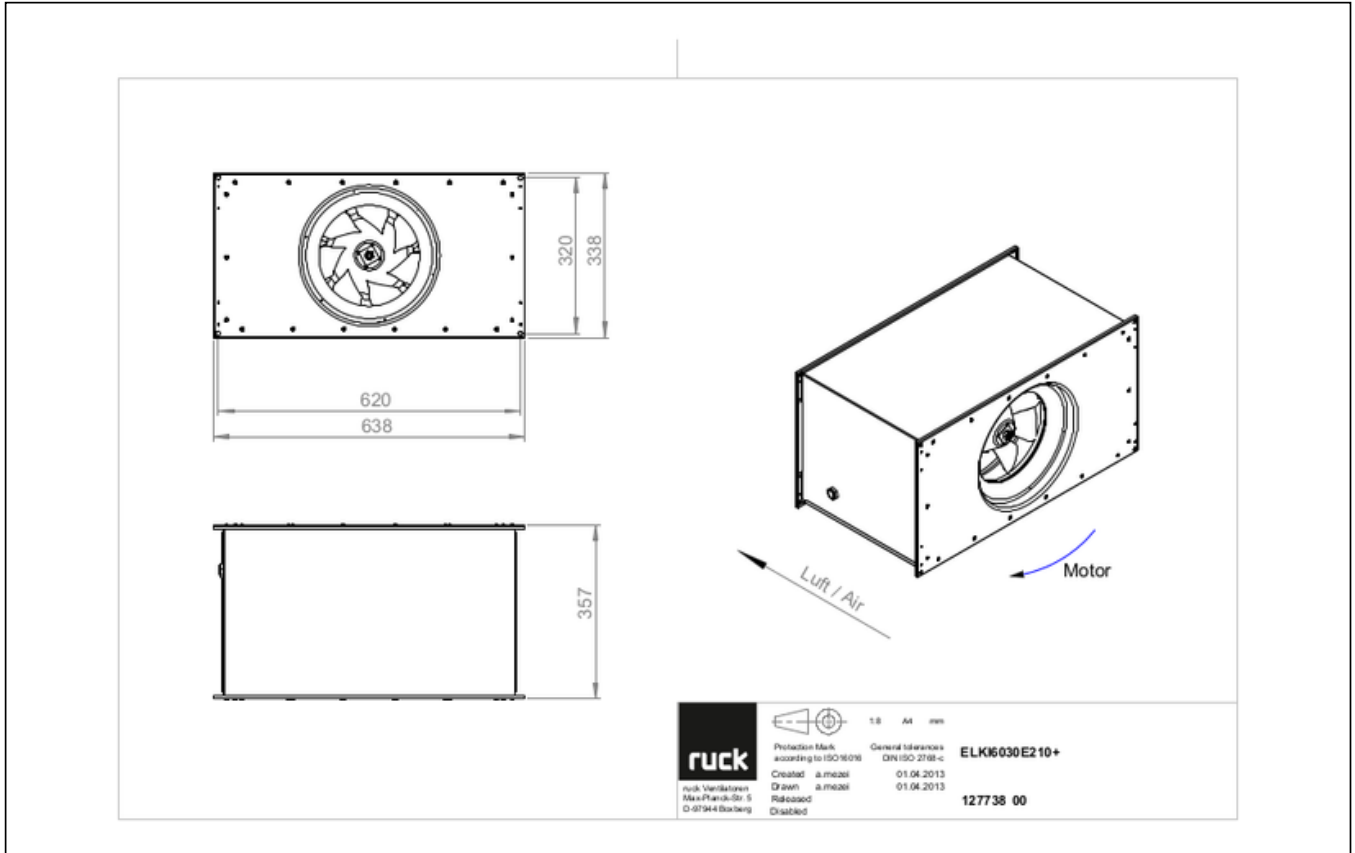


zur Produktseite

ELKI 6030 E2 10

127738

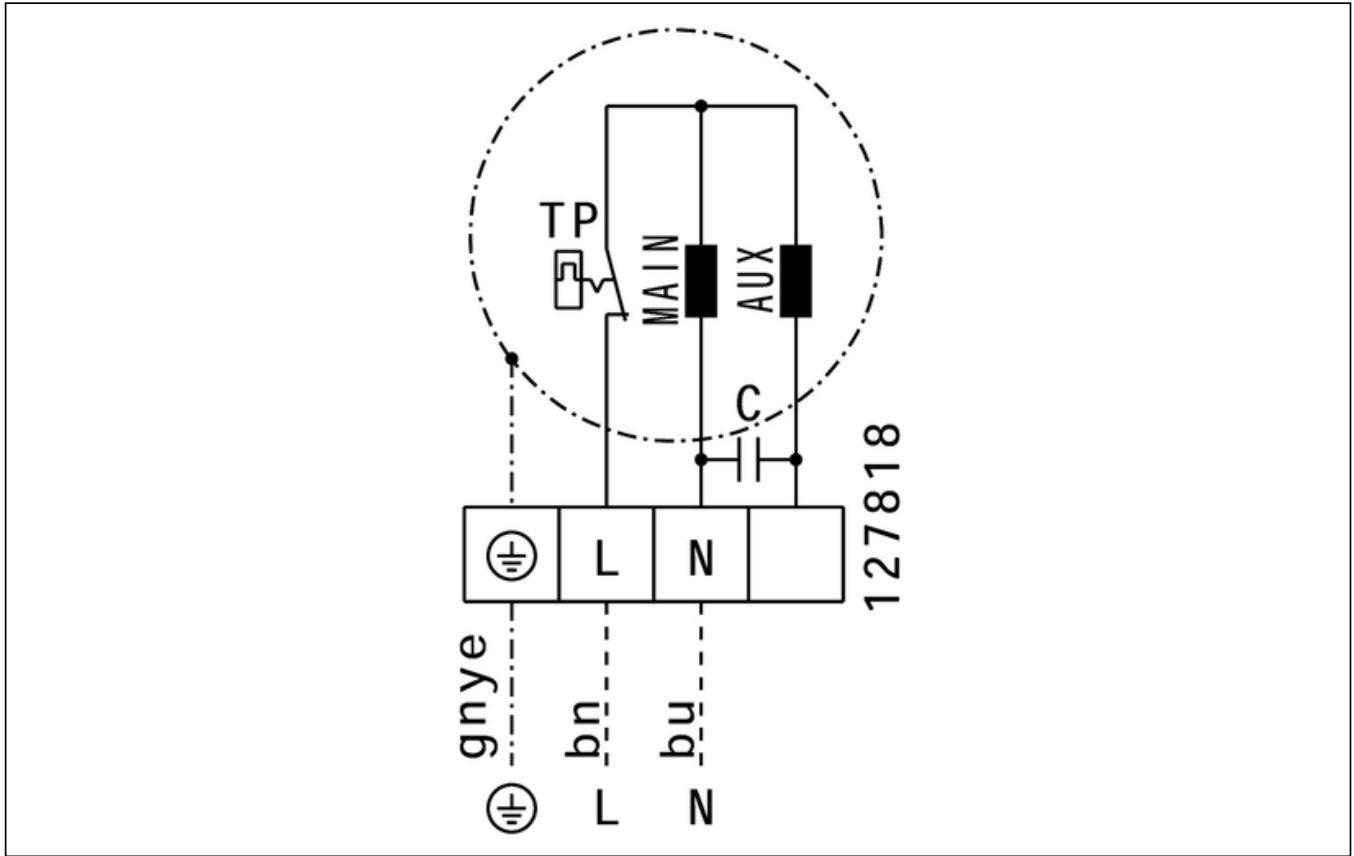
SCHALTPLÄNE / MASSZEICHNUNGEN



zur Produktseite

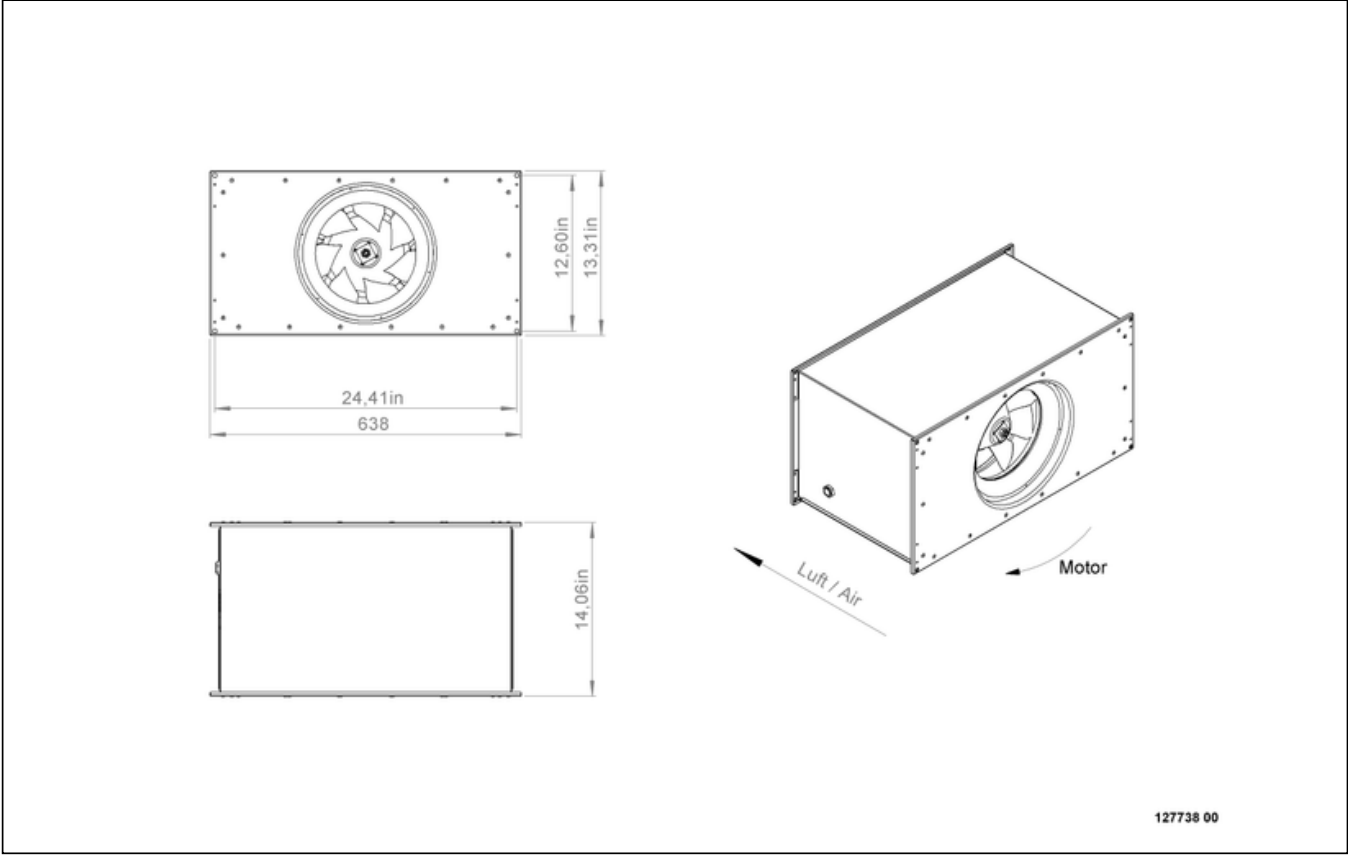
ELKI 6030 E2 10

127738



ELKI 6030 E2 10

127738



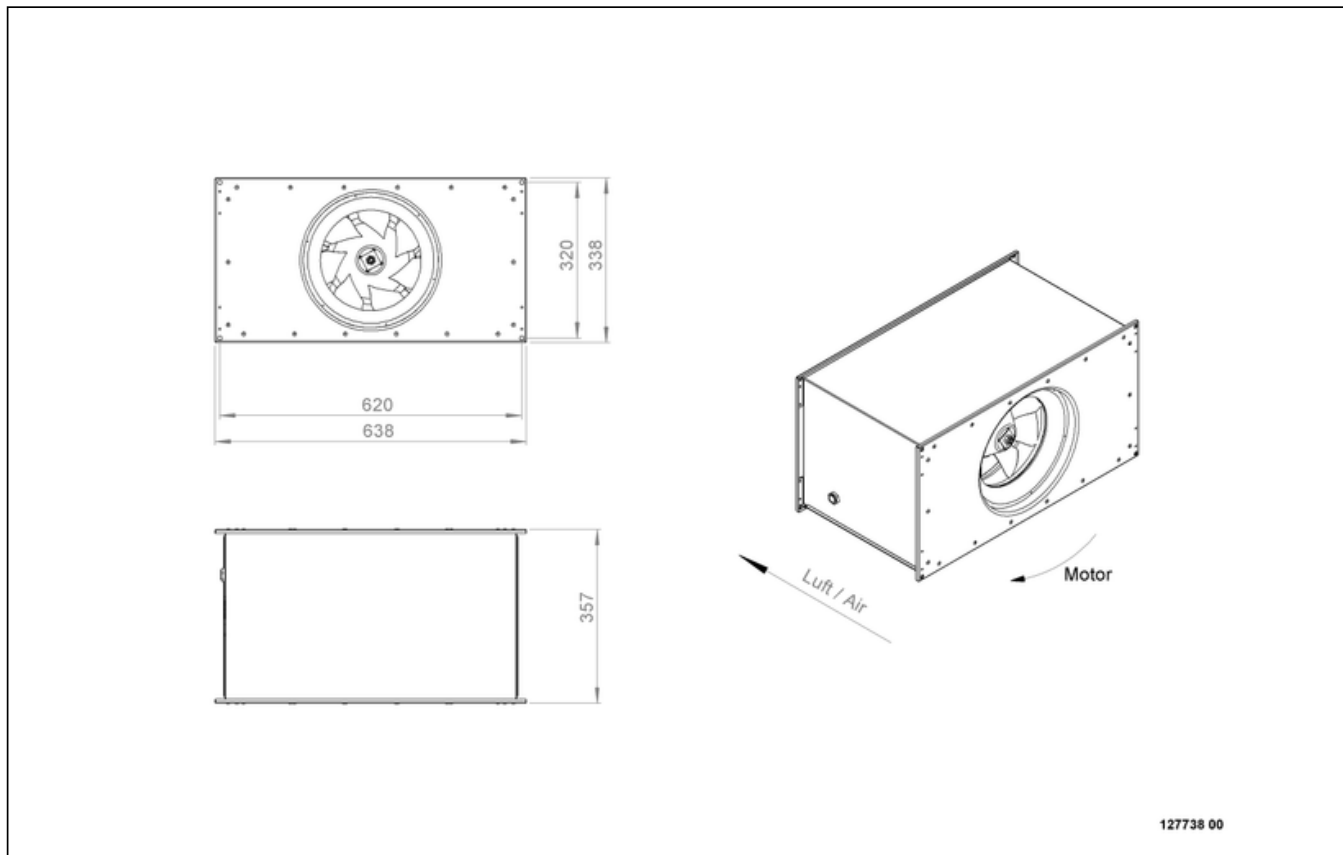
127738 00



zur Produktseite

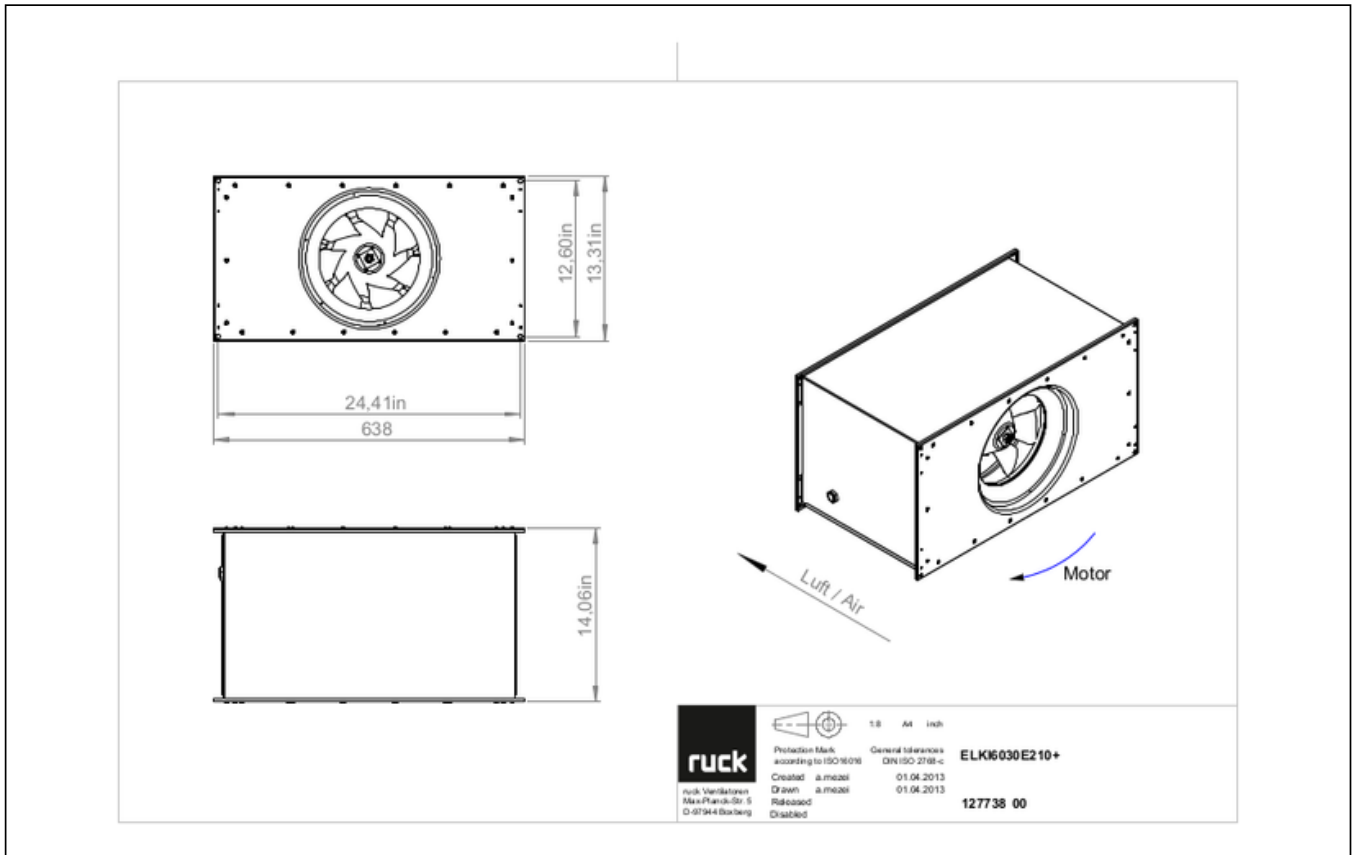
ELKI 6030 E2 10

127738



ELKI 6030 E2 10

127738



MECHANICAL ACCESSORIES

VS 6030 | 102806



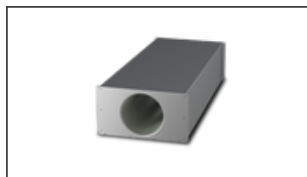
- Duct connector, flexible
- Standard profile flange P20
- Galvanized steel sheet, plastic band (PVC)
- Temperature resistant up to 70 °C

VKK 6030 | 103895



- Automatic shutter
- Plastic, weather resistant
- Temperature resistant up to 70 °C

SDE 6030 L01 | 127750



- Duct silencer
- Sendzimir galvanized sheet steel housing
- Sound absorption by mineral wool with fleece covering on air side
- 20 mm flange profiles



ELKI 6030 E2 10

127738

ELECTRICAL ACCESSORIES

GS 01 | 102787



- Isolator switch
- Umax = 400 V, 50/60 Hz
- Switching capacity 400 V 3~ = 5,5 kW
- I_{max} = 16 A

TEM 035 | 103502



- 5-step transformer
- 230 V, 50/60 Hz, 3,5 A
- Output voltage: 230-190-170-140-110-80-0 V
- Protection class IP 54

TES 035 02 | 146195



- 5-step transformer
- 230 V, 50/60 Hz, 3,5 A
- Without housing, control cabinet installation
- Protection class IP 20



zur Produktseite