

ELKI 5030 E2 10

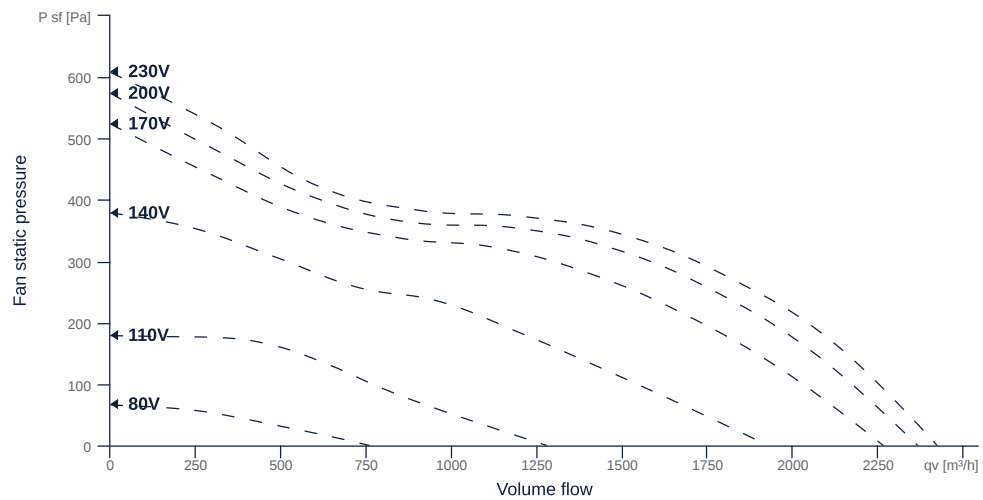
127742

- Energy efficient diagonal fan
- Optimally tuned and CFD-optimized aerodynamics
- Soundproof housing made of galvanized sheet steel
- Removable fan unit
- Robust single phase AC motor, voltage controllable
- Integrated thermal switch



MAP

Name	Value	Unit
Volume flow	0	m³/h
Pressure	0	Pa



zur Produktseite

ELKI 5030 E2 10

127742

ruck

GENERAL DATA

Name	Value	Unit	Formula symbol
ERP conformity	Yes		
Certifications	CE, UKCA		
Duct size	500x300		WxH _{duct}
Pipe connection size (DN)	-		DN
Rated voltage (entire device)	230	V	U _{rated}
Phases (entire device)	1~		phase
Electrical protection (entire device)	6 A		fuse
Housing material	Galvanized steel		mat _{casing}
Impeller material	Plastic		mat _{impeller}
IP-protection class (entire device)	IPX4		IP _{compl}
IP-Protection class (terminal box)	IP44		IP _{ebox}
Weight	16.73	kg	m
Nominal air flow rate, nominal point m ³ /h	2084.4	m ³ /h	q _{v,nom}
Nominal external pressure, static	180	Pa	p _{s,nom}
Fan type	Diagonal		Fan _{type}
Category / Installation situation	A		cat

ERP DATA (LOT 6)

Name	Value	Unit	Formula symbol
Nominal air flow rate, nominal point m ³ /s	0.58	m ³ /s	q _{v,nom}
Actual electrical input power, nominal point	0.28	kW	Pe <sub,nom< sub=""></sub,nom<>
Face velocity, nominal point	3.86	m/s	v _{nom}
Nominal external pressure, static	180	Pa	p _{s,nom}
supply air fan static efficiency, nominal point	49.4	%	η _{es,SUP}
Enclosure sound level, nominal point	64	dB(A)	L _{WA2}
Rating	Product is compliant 2018		



zur Produktseite

ELKI 5030 E2 10

127742

ruck

MAXIMAL DATA

Name	Value	Unit	Formula symbol
Max. power consumption (device)	282	W	$P_{ed, max}$
Max. operating current (device)	1.68	A	$I_{ed, max}$
Max. speed	2890	1/min	n_{max}
Max. stat. efficiency	49.5	%	η_{es}
Max. fan efficiency	50.3	%	η_e
Max. flowrate	2420	m ³ /h	q_v, max
Max. stat pressure	610	Pa	$p_{sf, max}$
Max. medium temperature	55	°C	T_m, max
Max. environment temperature	55	°C	$T_{amb, max}$
Min. environment temperature	-25	°C	$T_{amb, min}$
Min. voltage	80	V	U_{min}

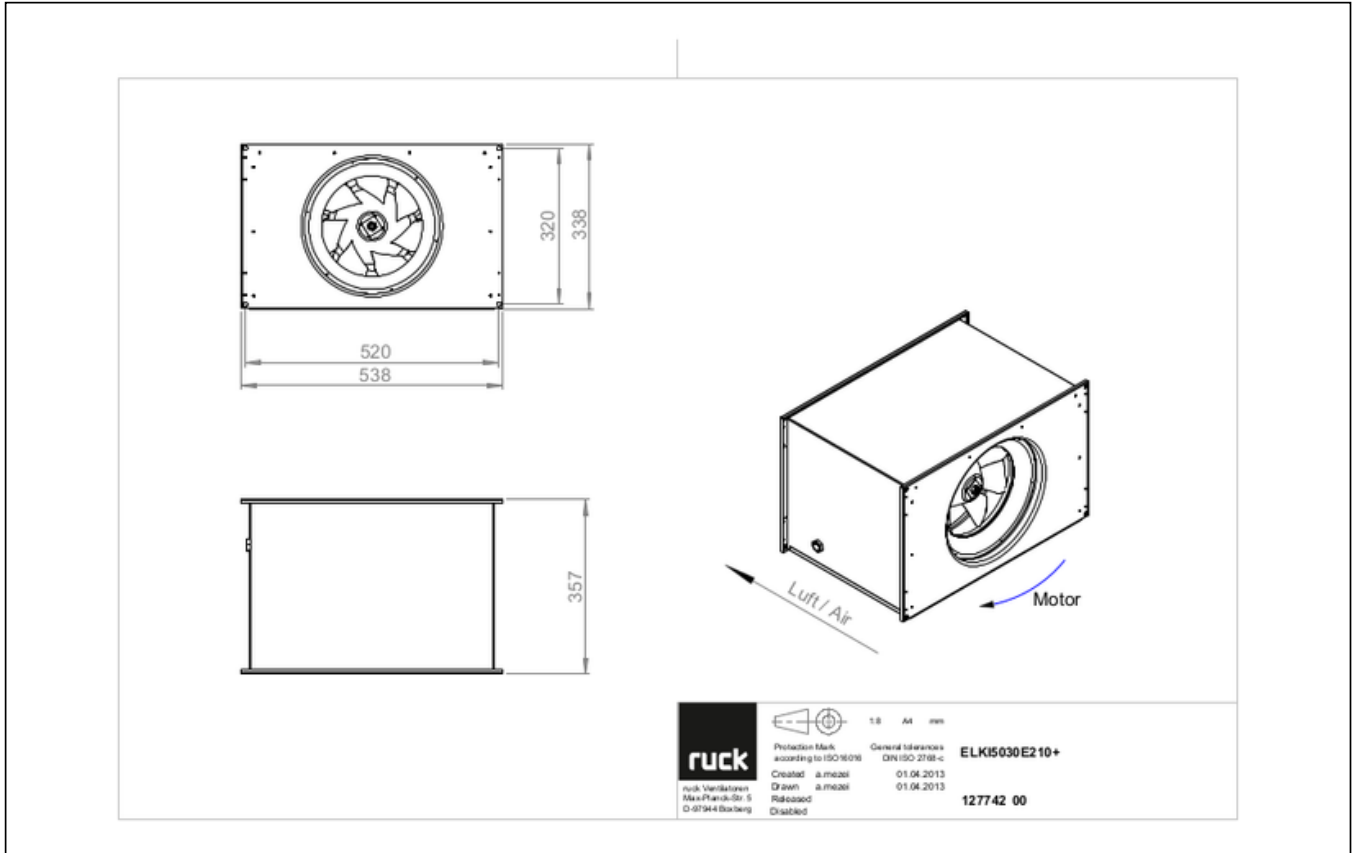


zur Produktseite

ELKI 5030 E2 10

127742

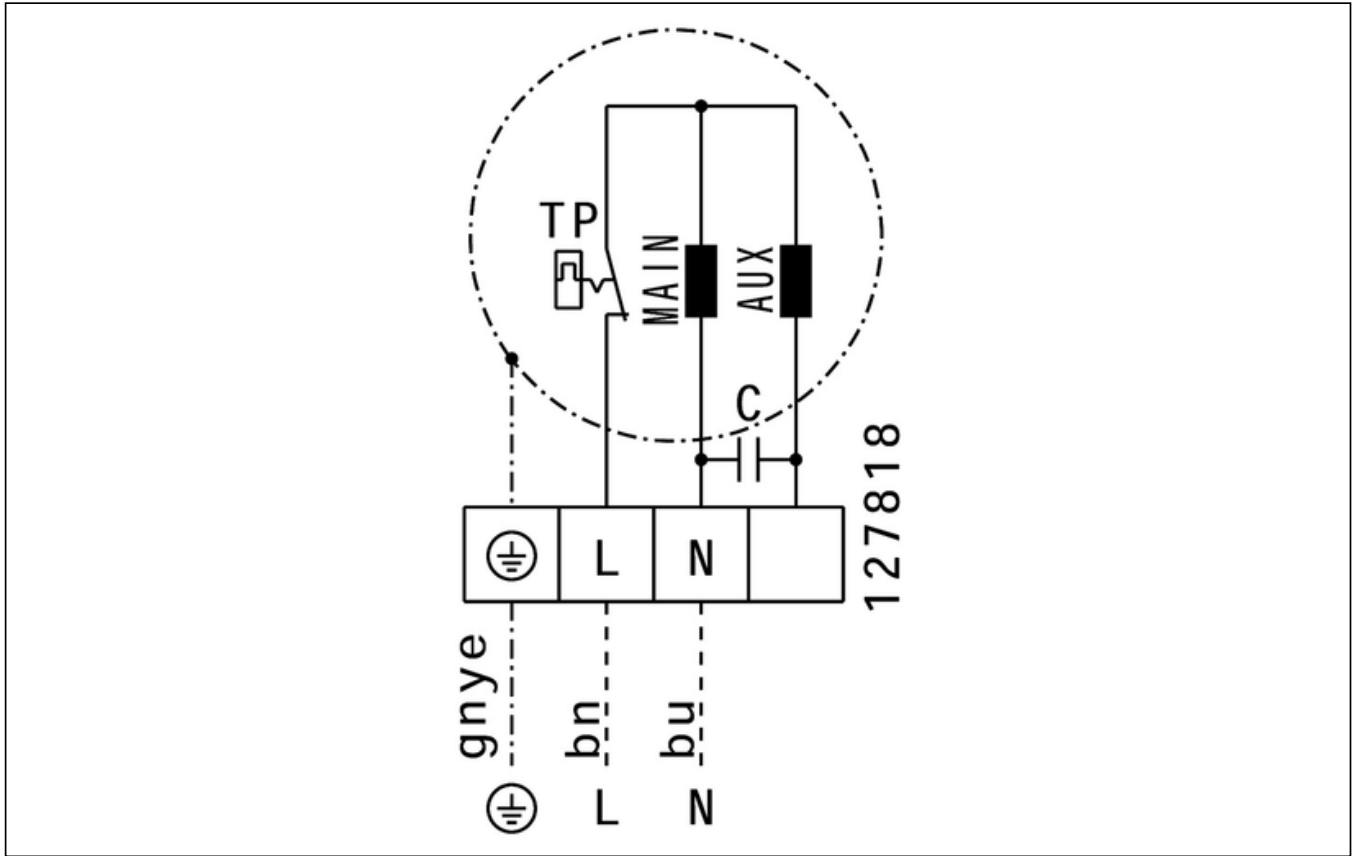
SCHALTPLÄNE / MASSZEICHNUNGEN



zur Produktseite

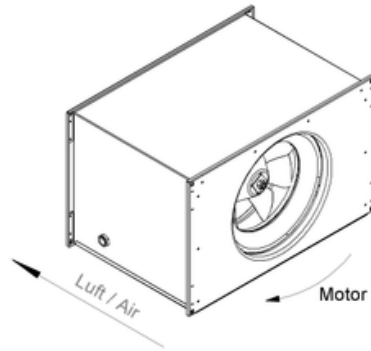
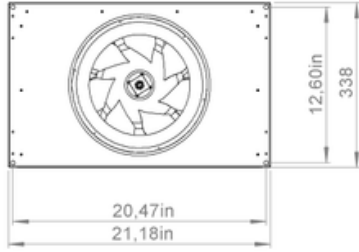
ELKI 5030 E2 10

127742



ELKI 5030 E2 10

127742



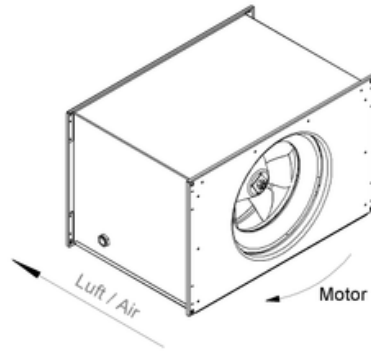
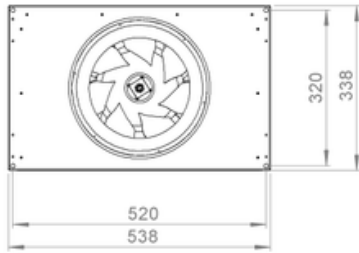
127742 00



zur Produktseite

ELKI 5030 E2 10

127742



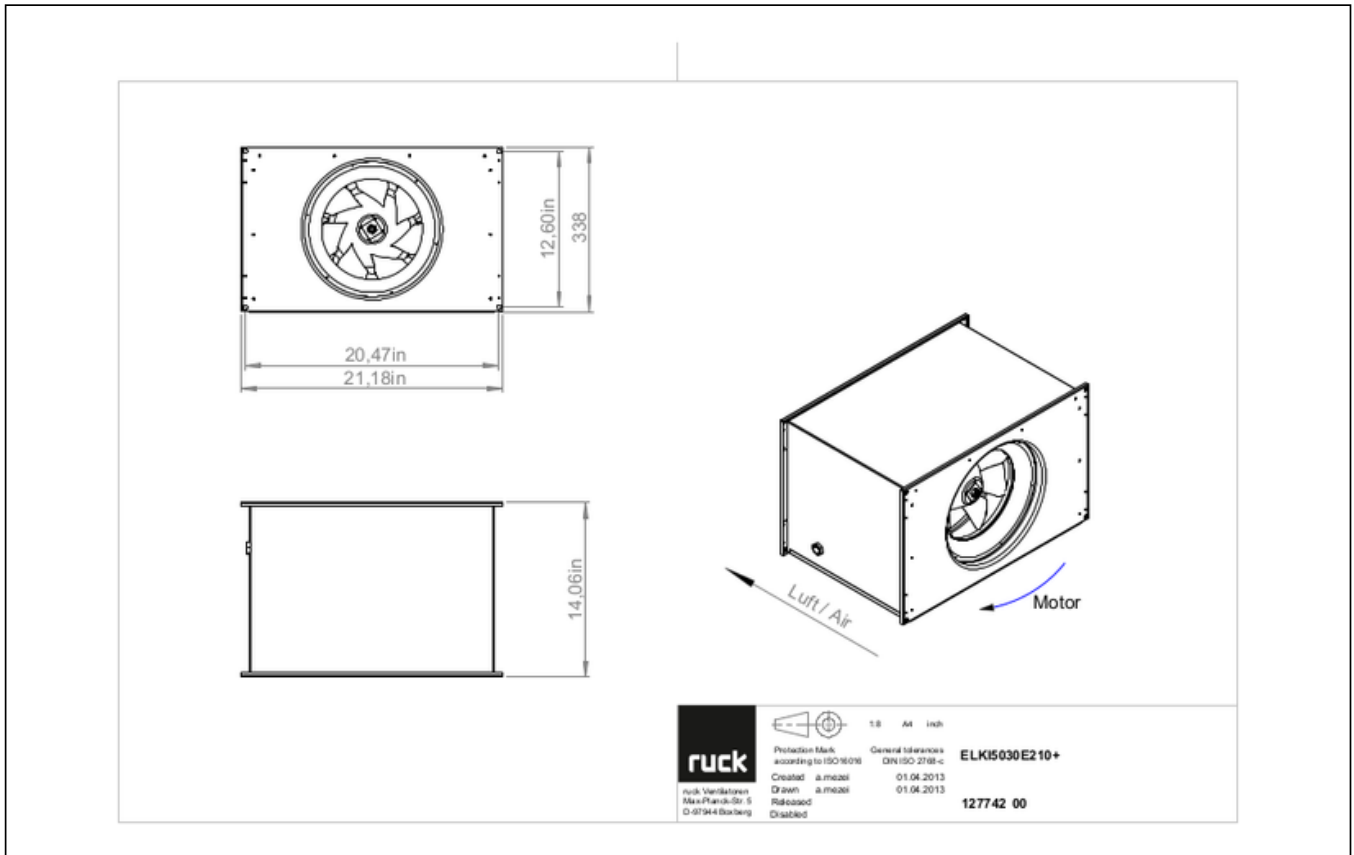
127742 00



zur Produktseite

ELKI 5030 E2 10

127742



MECHANICAL ACCESSORIES

VS 5030 | 102805



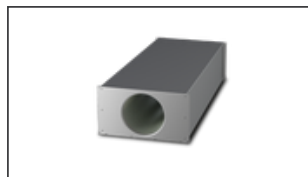
- Duct connector, flexible
- Standard profile flange P20
- Galvanized steel sheet, plastic band (PVC)
- Temperature resistant up to 70 °C

VKK 5030 | 103893



- Automatic shutter
- Plastic, weather resistant
- Temperature resistant up to 70 °C

SDE 5030 L01 | 127748



- Duct silencer
- Sendzimir galvanized sheet steel housing
- Sound absorption by mineral wool with fleece covering on air side
- 20 mm flange profiles



zur Produktseite

ELKI 5030 E2 10

127742

ELECTRICAL ACCESSORIES

GS 01 | 102787



- Isolator switch
- $U_{max} = 400 \text{ V}$, 50/60 Hz
- Switching capacity 400 V 3~ = 5,5 kW
- $I_{max} = 16 \text{ A}$

TEM 035 | 103502



- 5-step transformer
- 230 V, 50/60 Hz, 3,5 A
- Output voltage: 230-190-170-140-110-80-0 V
- Protection class IP 54

TES 035 02 | 146195



- 5-step transformer
- 230 V, 50/60 Hz, 3,5 A
- Without housing, control cabinet installation
- Protection class IP 20



zur Produktseite