

ELKI 10050 E2 10

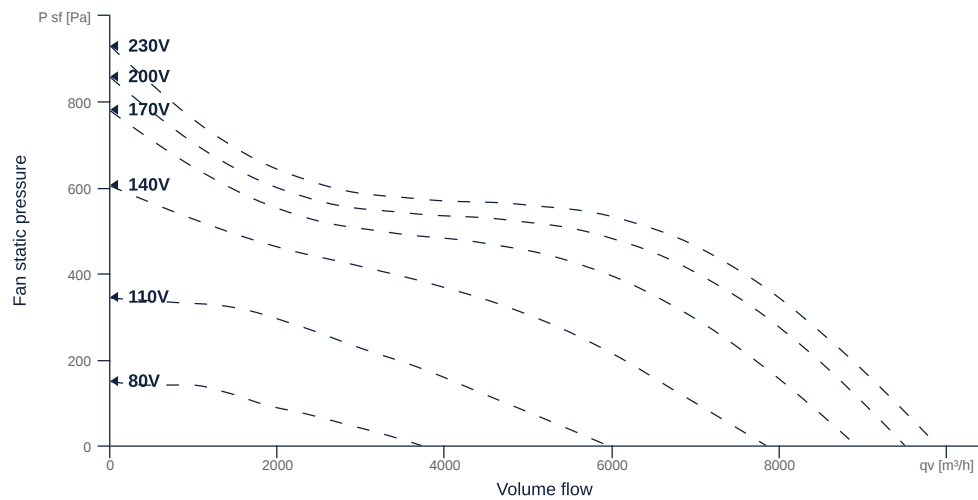
130321

- Energy efficient diagonal fan
- Optimally tuned and CFD-optimized aerodynamics
- Soundproof housing made of galvanized sheet steel
- Removable fan unit
- Robust single phase AC motor, voltage controllable
- Integrated thermal switch



MAP

| Name | Value | Unit |
|-------------|-------|------|
| Volume flow | 0 | m³/h |
| Pressure | 0 | Pa |



zur Produktseite

ELKI 10050 E2 10

130321

ruck

GENERAL DATA

| Name | Value | Unit | Formula symbol |
|--|------------------|-------------------|-------------------------|
| ERP conformity | Yes | | |
| Certifications | CE, UKCA | | |
| Duct size | 1000x500 | | WxH _{duct} |
| Pipe connection size (DN) | - | | DN |
| Rated voltage (entire device) | 230 | V | U _{rated} |
| Phases (entire device) | 1~ | | phase |
| Electrical protection (entire device) | 16 A | | fuse |
| Housing material | Galvanized steel | | mat _{casing} |
| Impeller material | Plastic | | mat _{impeller} |
| IP-protection class (entire device) | IPX4 | | IP _{compl} |
| IP-Protection class (terminal box) | IP44 | | IP _{ebox} |
| Weight | 53 | kg | m |
| Nominal air flow rate, nominal point m ³ /h | 7160.4 | m ³ /h | q _{v,nom} |
| Nominal external pressure, static | 444 | Pa | p _{s,nom} |
| Fan type | Diagonal | | Fan _{type} |
| Category / Installation situation | A | | cat |

ERP DATA (LOT 6)

| Name | Value | Unit | Formula symbol |
|--|---------------------------|-------------------|---------------------------------|
| Nominal air flow rate, nominal point m ³ /s | 1.99 | m ³ /s | q _{v,nom} |
| Actual electrical input power, nominal point | 1.82 | kW | Pe <sub,nom< sub=""></sub,nom<> |
| Face velocity, nominal point | 3.98 | m/s | v _{nom} |
| Nominal external pressure, static | 444 | Pa | p _{s,nom} |
| supply air fan static efficiency, nominal point | 47.6 | % | η _{es,SUP} |
| Enclosure sound level, nominal point | 69 | dB(A) | L _{WA2} |
| Rating | Product is compliant 2018 | | |



zur Produktseite

ELKI 10050 E2 10

130321

ruck

MAXIMAL DATA

| Name | Value | Unit | Formula symbol |
|---------------------------------|-------|-------------------|----------------|
| Max. power consumption (device) | 1840 | W | $P_{ed, max}$ |
| Max. operating current (device) | 10.21 | A | $I_{ed, max}$ |
| Max. speed | 2850 | 1/min | n_{max} |
| Max. stat. efficiency | 47.6 | % | η_{es} |
| Max. fan efficiency | 48.3 | % | η_e |
| Max. flowrate | 9885 | m ³ /h | q_v, max |
| Max. stat pressure | 930 | Pa | $p_{sf, max}$ |
| Max. medium temperature | 45 | °C | T_m, max |
| Max. environment temperature | 45 | °C | $T_{amb, max}$ |
| Min. environment temperature | -25 | °C | $T_{amb, min}$ |
| Min. voltage | 80 | V | U_{min} |
| Stall current | 9 | A | I_{LRA} |



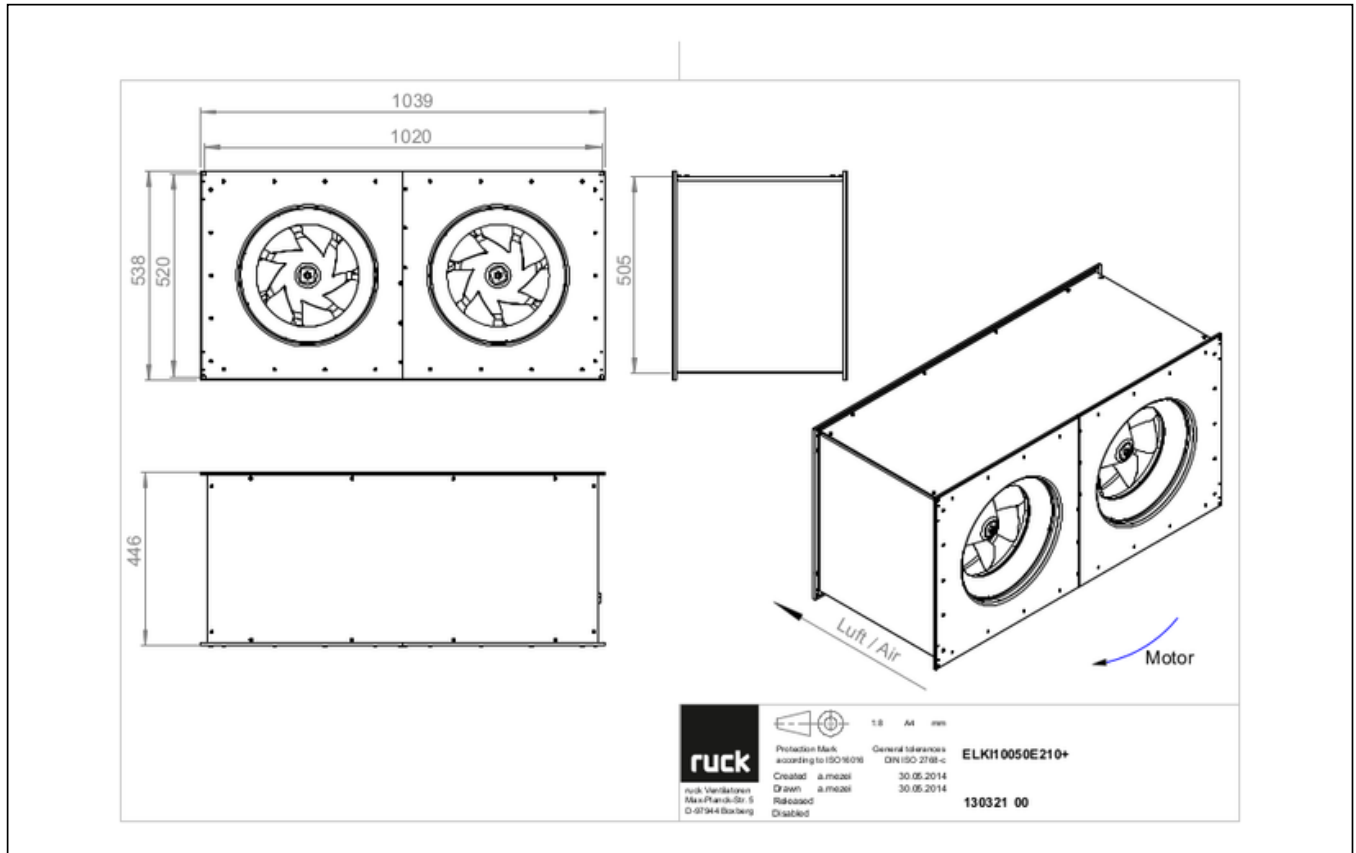
zur Produktseite

ELKI 10050 E2 10

130321

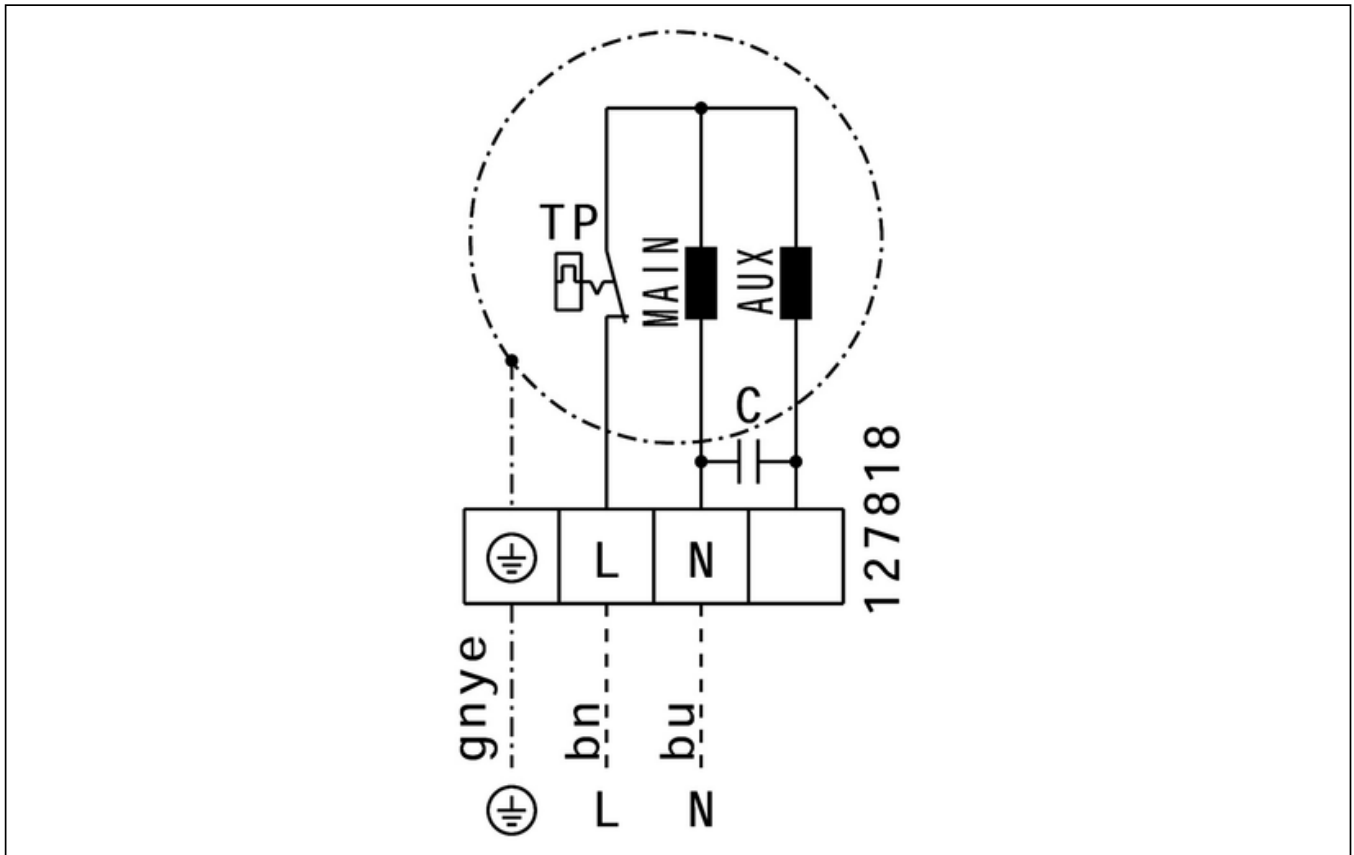
ruck

SCHALTPLÄNE / MASSZEICHNUNGEN



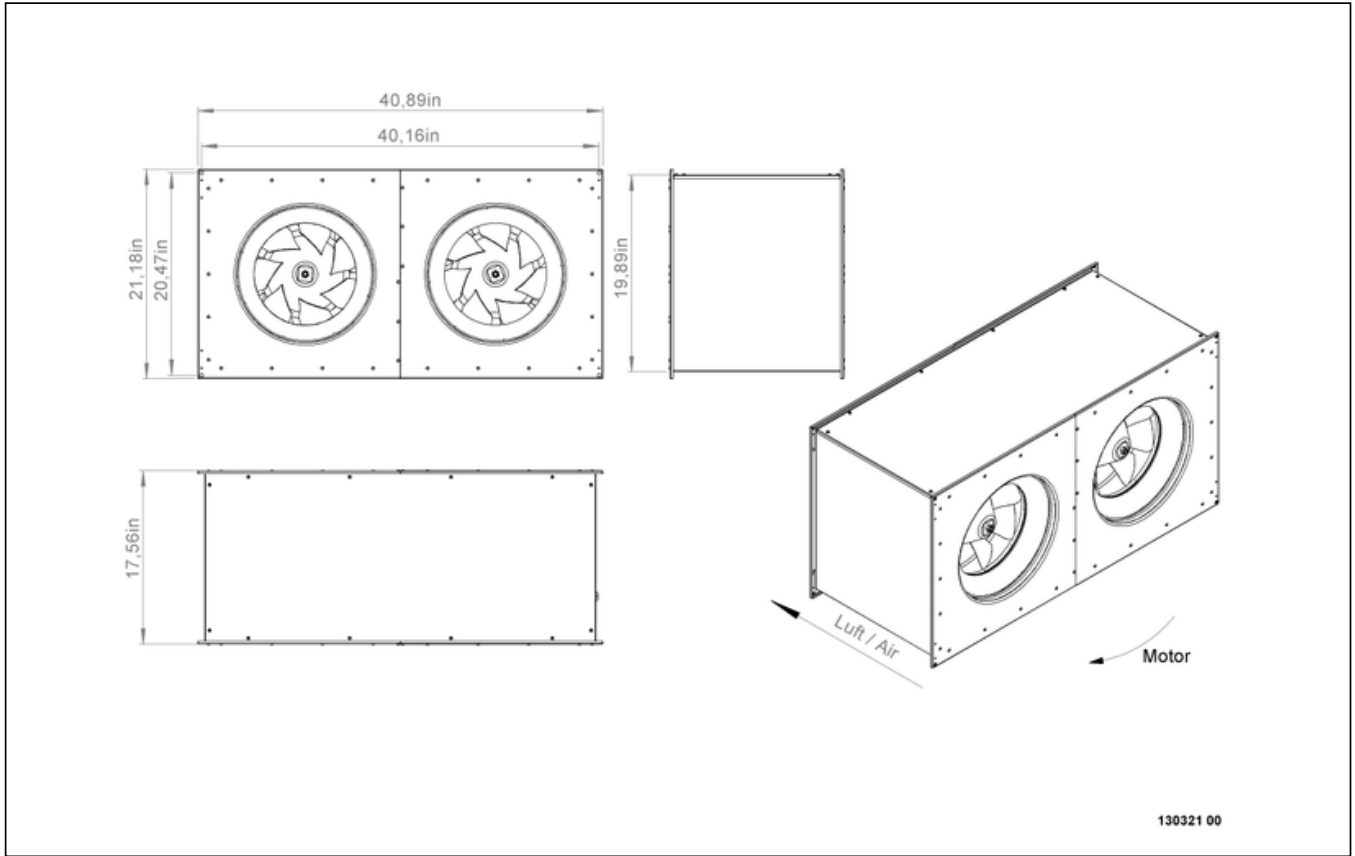
ELKI 10050 E2 10

130321



ELKI 10050 E2 10

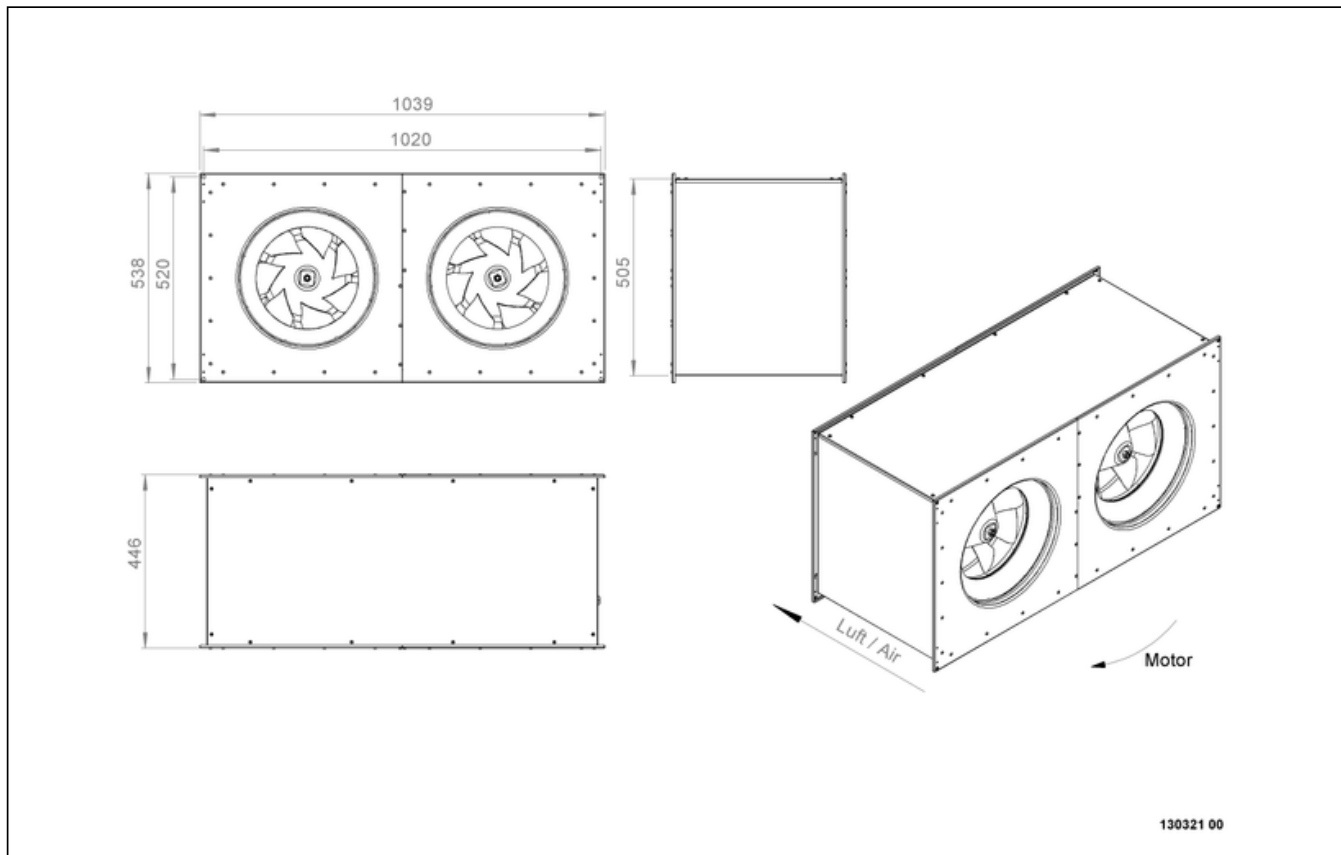
130321



zur Produktseite

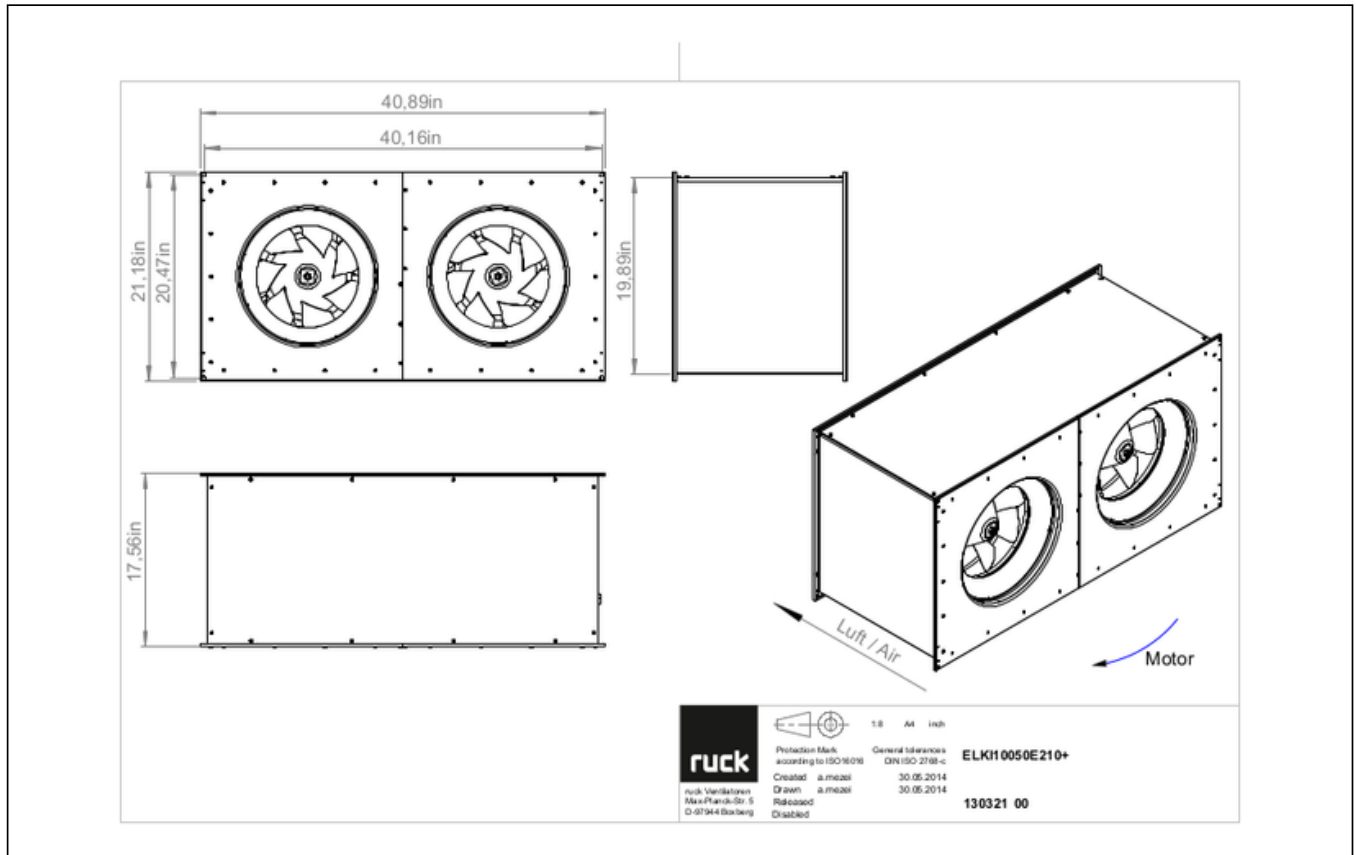
ELKI 10050 E2 10

130321



ELKI 10050 E2 10

130321



MECHANICAL ACCESSORIES

VKK 10050 | 103946



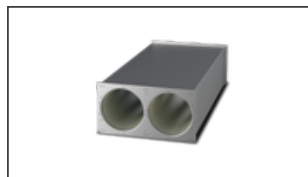
- Automatic shutter
- Plastic, weather resistant
- Temperature resistant up to 70 °C

VS 10050 | 103956



- Duct connector, flexible
- Standard profile flange P20
- Galvanized steel sheet, plastic band (PVC)
- Temperature resistant up to 70 °C

SDE 10050 L02 | 130352



- Duct silencer
- Sendzimir galvanized sheet steel housing
- Sound absorption by mineral wool with fleece covering on air side
- 20 mm flange profiles



zur Produktseite

ELKI 10050 E2 10

130321

ELECTRICAL ACCESSORIES

GS 01 | 102787



- Isolator switch
- $U_{max} = 400 \text{ V}$, 50/60 Hz
- Switching capacity 400 V 3~ = 5,5 kW
- $I_{max} = 16 \text{ A}$

TEM 130 | 103950



- 5-step transformer
- 230 V, 50/60 Hz, 13 A
- Output voltage: 230-190-170-140-110-80-0 V
- Protection class IP 54

TES 130 02 | 146199



- 5-step transformer
- 230 V, 50/60 Hz, 13 A
- Without housing, control cabinet installation
- Protection class IP 20



zur Produktseite