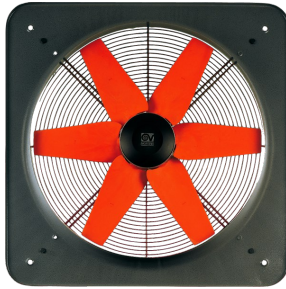


Technical Data Sheet

CODE 40203

E 252 M

Low-pressure plate axial fans



Certifications

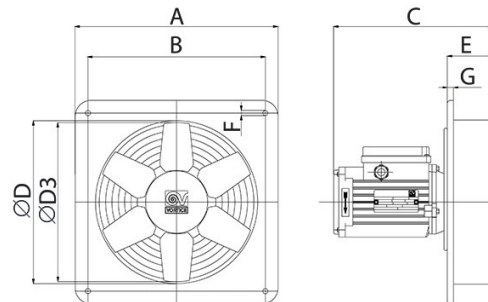
CE CE

EAC EAC

TECHNICAL AND PERFORMANCE DATA

Absorbed current at 220 V (A)	0,45	Motor ATEX marking	44
Absorbed current at 240 V (A)	0,47	Nominal diameter (mm)	250
Absorbed power at 220 V (W)	95	Number of poles	2
Absorbed power at 240 V (W)	105	Voltage (V)	220-240
Frequency (Hz)	50	Weight (Kg)	3,5
Insulation class	I ^o	Max airflow (l/s)	416,7
Max absorbed current (A)	0,47	Max airflow (m ³ /h)	1500
Max absorbed power (W)	105	Max pressure (mmH ₂ O)	20
Max ambient temperature for continuous operation (°C)	70	Max pressure (Pa)	196
Max temperature of exhaust air (continuous operation)	70	RPM	2800
		Sound pressure Lp [dB (A)] at 3 m	71

DIMENSIONS



Ø (mm)	250
Size A (mm)	320
Size B (mm)	280
Size C (mm)	201
Size D (mm)	Ø
	256
Size D3 (mm)	Ø
	250
Size E (mm)	68
Size F (mm)	8
Size G (mm)	10

PER INFORMAZIONI / FOR INFORMATION

ITALY

Pre Sales:
prevendita@vortice-italy.com
After Sales:
postvendita@vortice-italy.com

UNITED KINGDOM & REP. OF

IRELAND
Sales Dept:
sales@vortice.ltd.uk
Technical Dept:
technical@vortice.ltd.uk

OTHER COUNTRIES

Sales Dept:
export@vortice-italy.com
After Sales:
after-sales@vortice-italy.com

Technical Data Sheet

CODE 40203

E 252 M

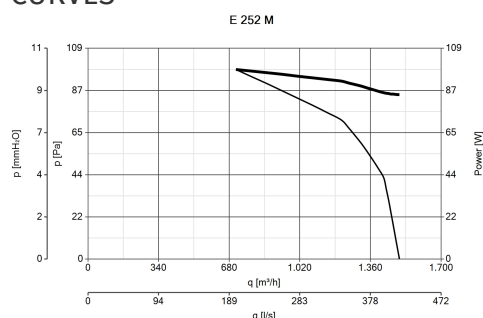
Low-pressure plate axial fans



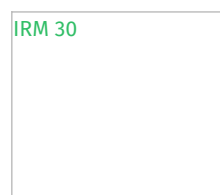
DESCRIPTION

- Nominal diameter 250 mm
- Wall-mounting panel manufactured from phosphated pressed steel, polyester powder coated with hammered effect finish, guaranteeing long-term resistance to atmospheric agents.
- Ventilation port fashioned in one piece with the panel and gauged to optimize air flow.
- Protective grille (in accordance with UNI ISO 13857 standard) combining the function of motor bracket, made of electrically welded steel with epoxy paint finish, colour black. Easy removal simplifies maintenance and cleaning of the fan.
- 1 speed asynchronous single phase AC motor with shaft turning in double shielded ball bearings, insulation class F.
- Maximum air flow: 1,500 m³/h.
- Impeller with 6 wing profile blades keyed to a diecast aluminium hub and dynamically balanced (UNI ISO 1940 – Balancing class 6.3), optimized to deliver maximum performance and low noise levels, moulded from filled polypropylene for superior dimensional stability and resistance to atmospheric agents.
- Vortice speed controller.

CURVES



ACCESSORIES



IRM 30
Code 12921



IREM 3 CD
99250080
Code 12931



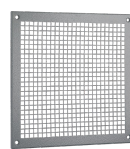
IREM 5 CD
99250081
Code 12932



IREM 9 CD
99250082
Code 12933



PGR 250
(PERSIANA
GRAVITA')
Code 50150



TRA 250
(TELAIO CON
RETE ANTINF.)
Code 51150



DPU 250
(Distanziatore)
Code 52151



IREM INVERTER

4 M

Code 12815

PER INFORMAZIONI / FOR INFORMATION

ITALY

Pre Sales:

prevendita@vortice-italy.com

After Sales:

postvendita@vortice-italy.com

UNITED KINGDOM & REP. OF

IRELAND

Sales Dept:

sales@vortice.ltd.uk

Technical Dept:

technical@vortice.ltd.uk

OTHER COUNTRIES

Sales Dept:

export@vortice-italy.com

After Sales:

after-sales@vortice-italy.com